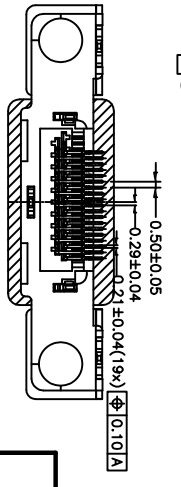
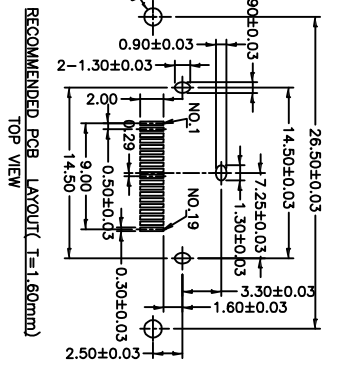
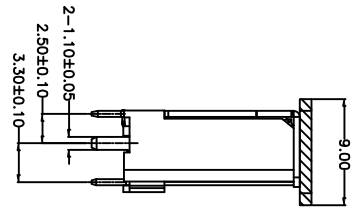
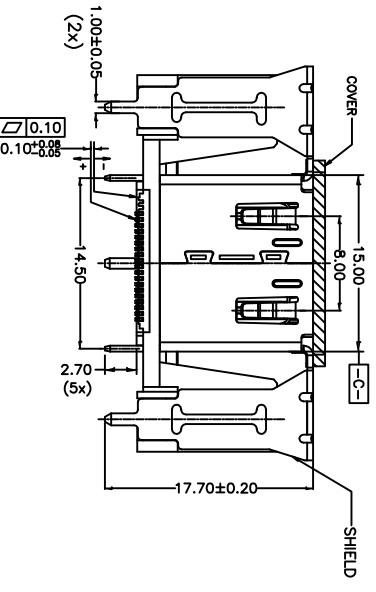
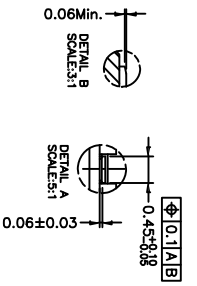
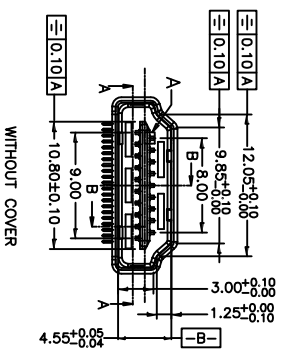
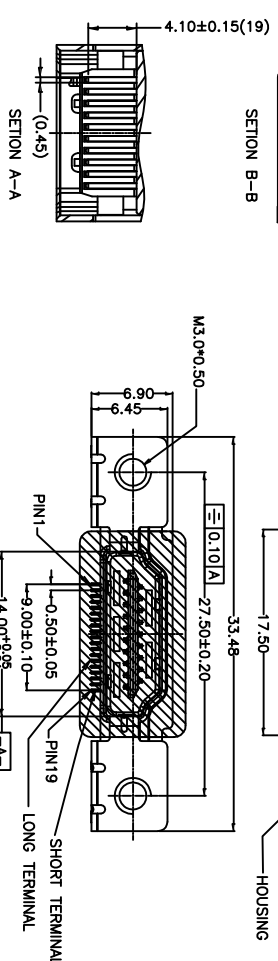
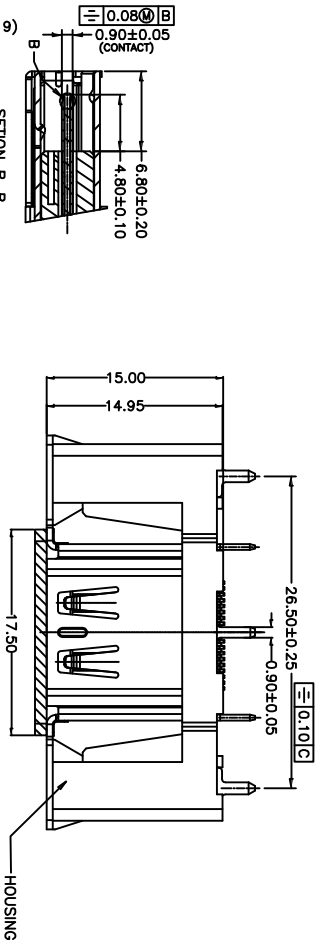


Rev	AWO #	Description	Date	Appr
-		RELEASED	6/08/10	

APPROVED: \_\_\_\_\_ TITLE: \_\_\_\_\_ DATE: \_\_\_\_\_



**SPECIFICATIONS:**

**Material:**  
Housing: Hi-temp thermoplastic, UL 94V-0  
Housing color: Black  
Contact: Copper Alloy  
Shield: Copper Alloy, Nickel plated  
Plating:  
15u" Gold over Nickel underplate on contact area,  
Tin over Copper underplate on tails.

**Electrical:**

Voltage rating: 40V  
Current rating: 0.5A  
Dielectric strength: 300VAC for 1 minute min.  
Insulation resistance: 100 Megohm min.  
Contact resistance: 10 mohms max.

Environmental:  
Lead free, RoHS Compliant  
Recommended soldering temp: 260°C for 5 seconds.



UNLESS OTHERWISE SPECIFIED  
ALL DIMENSIONS ARE MM  
TOLERANCES: EXCEPT AS NOTED  
INCHES

.X	± .10	ØX	± .10
.XX	± .020	ØXX	± .015
.XXX	± .015	ØXXX	± .010

APPROVALS

DRAWN	DY	DATE	6/08/10
CHECKED			
APPROVED			

**ADAM TECH**  
909 Rahway Avenue, Union, NJ 07083  
Phone: 908-687-5000 Fax: 908-687-5710

TITLE: **HDMI CONNECTOR, 19P, VERTICAL, SMT**

SIZE	PART NO.	REV.
X	HDMI-S-V-01-SMT-MF-15-KT	-
REF:	S00015C	SCALE: NTS
		SHEET 1 OF 1