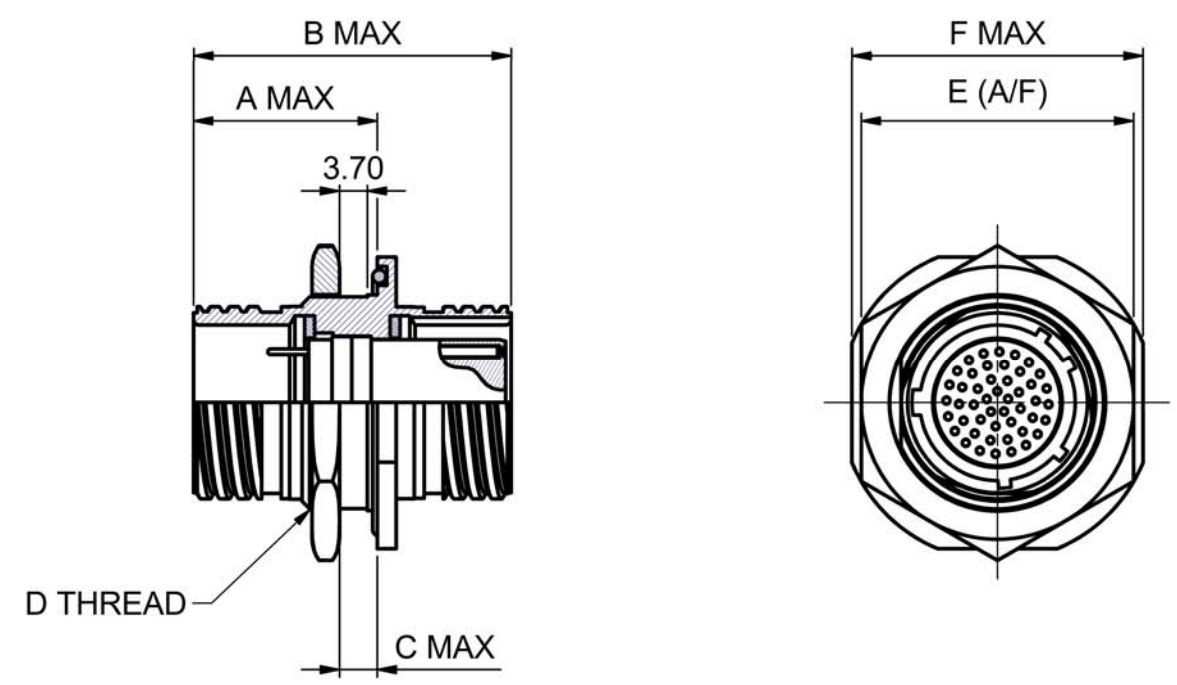


DRAWING FOR QUOTATION PURPOSES ONLY. NOT TO BE WORKED TO.

ISSUE: A
BY: AG
RN: N/A
DATE: 11/01/2010

DESCRIPTION OF LAST CHANGE
DRAWING RELEASED IN DM



EXAMPLE PART NUMBER: **ABAC 11 W 15 35 P N**

PRODUCT SERIES _____

SHELL STYLE _____

FINISH (TABLE 2) _____

SHELL SIZE (TABLE 1) _____

INSERT ARRANGEMENT _____

P = PIN ON JAM NUT SIDE
S = SOCKET ON JAM NUT SIDE ¹
PP = PIN TO PIN ^{1 2}
SS = SOCKET TO SOCKET ^{1 2}

ORIENTATION _____

1. CONSULT FACTORY FOR AVAILABILITY
2. SYMMETRICAL LAYOUTS ONLY, CONSULT FACTORY

SHELL SIZE	A MAX	B MAX	C MAX	D THREAD	E (A/F)	F MAX
9	25.50	42.10	6.40	M17 X 1.0	24.00	27.40
11	25.50	42.10	6.40	M20 X 1.0	27.00	32.20
13	25.50	42.10	6.40	M25 X 1.0	32.00	35.30
15	25.50	42.10	6.40	M28 X 1.0	36.00	38.50
17	25.50	42.10	6.40	M32 X 1.0	37.00	41.70
19	25.50	42.10	6.40	M35 X 1.0	41.00	46.40
21	25.50	42.10	6.40	M38 X 1.0	46.00	49.60
23	25.50	42.10	6.40	M41 X 1.0	50.00	52.80
25	25.50	42.10	6.40	M44 X 1.0	51.00	56.00

REF	FINISH DESCRIPTION
QB	ZINC COBALT BLACK PASSIVATE
W	OLIVE DRAB CADMIUM
Q	ZINC COBALT GREEN PASSIVATE
F	ELECTROLESS NICKEL

MODIFICATIONS MUST BE CARRIED OUT USING CAD SYSTEM. DOES THE CUSTOMER NEED TO BE INFORMED OF ANY CHANGE?

CHARACTERISTIC	SYM	CHARACTERISTIC	SYM
STRAIGHTNESS	—	ANGULARITY	∠
FLATNESS	▭	RUN OUT	↗
ROUNDNESS	○	POSITION	⊕
CYLINDRICITY	∩	CONCENTRICITY	◎
PROFILE OF A LINE	∩	SYMMETRY	≡
PROFILE OF A SURFACE	∩	M.M.C.	Ⓜ
PARALLELISM	//	SQUARENESS	⊥

FOR EXPLANATION OF DIMENSIONS, TOLERANCES, NOTES, ETC. SEE BS308

MATERIAL:
N/A

TOLERANCES UNLESS OTHERWISE STATED
ALL DECIMAL PLACES ± 0.1
HOLE DIAMETERS ± 0.05
ANGULAR ± 2°

DRAWN: AG
DATE: 14/12/2009
CHKD: PL

Do not scale this drawing

AB CONNECTORS LTD. A TT GROUP COMPANY	TITLE: BULKHEAD CONNECTOR DATASHEET	FINISH: SEE PED 021
THIS DRAWING MAY ONLY BE ALTERED IF THE PART REMAINS INTERCHANGEABLE. IF NOT, A NEW DRAWING NUMBER MUST BE TAKEN.		SHEET 1 OF 1
PRODUCT DRAWING NUMBER ABAC.CDS.0004		FINISH CODE: SEE PED 021 VARN: