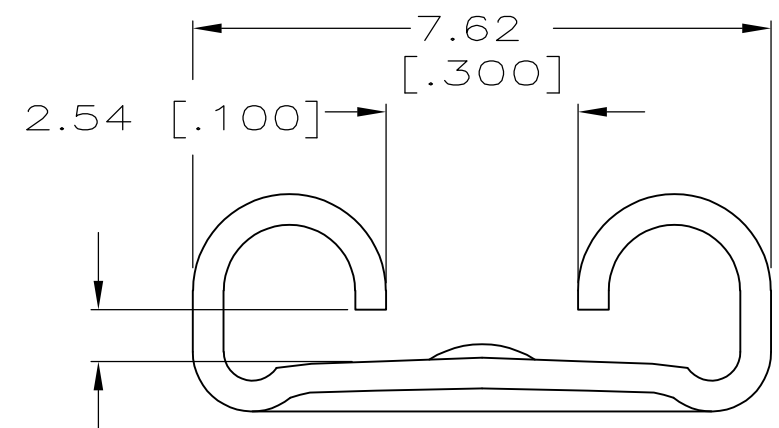
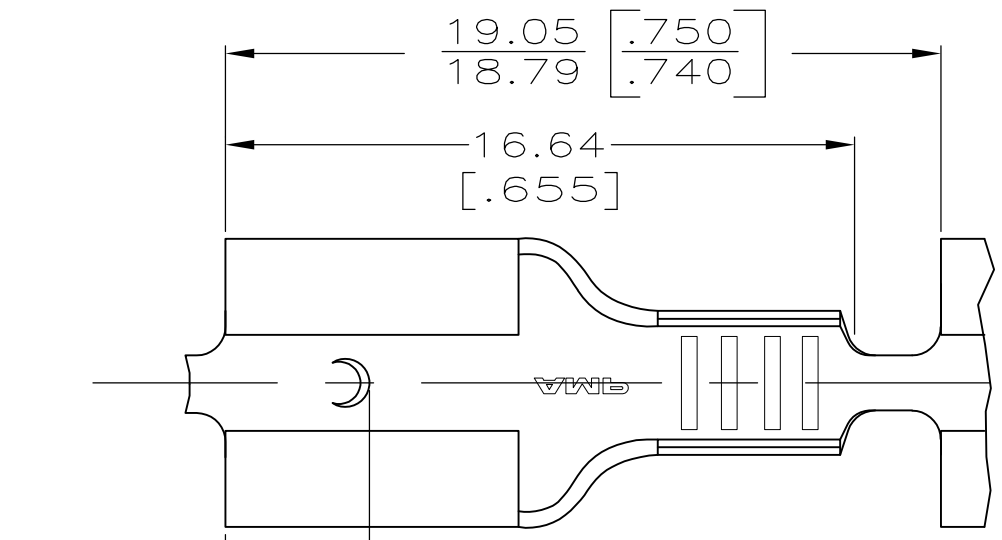


THIS DRAWING IS UNPUBLISHED. RELEASED FOR PUBLICATION
 © COPYRIGHT - By - ALL RIGHTS RESERVED.

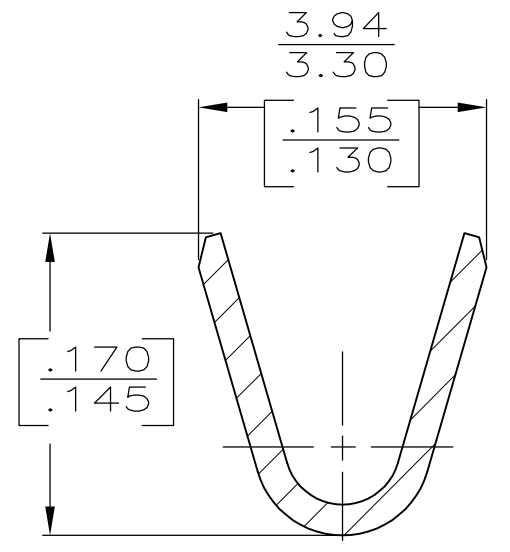
LOC	DIST	REVISIONS					
AF	50	P	LTR	DESCRIPTION	DATE	DWN	APVD
		F		REVISED PER ECR-12-013459	28NOV2012	KH	PD

1 CONTINUOUS STRIP ON REELS.

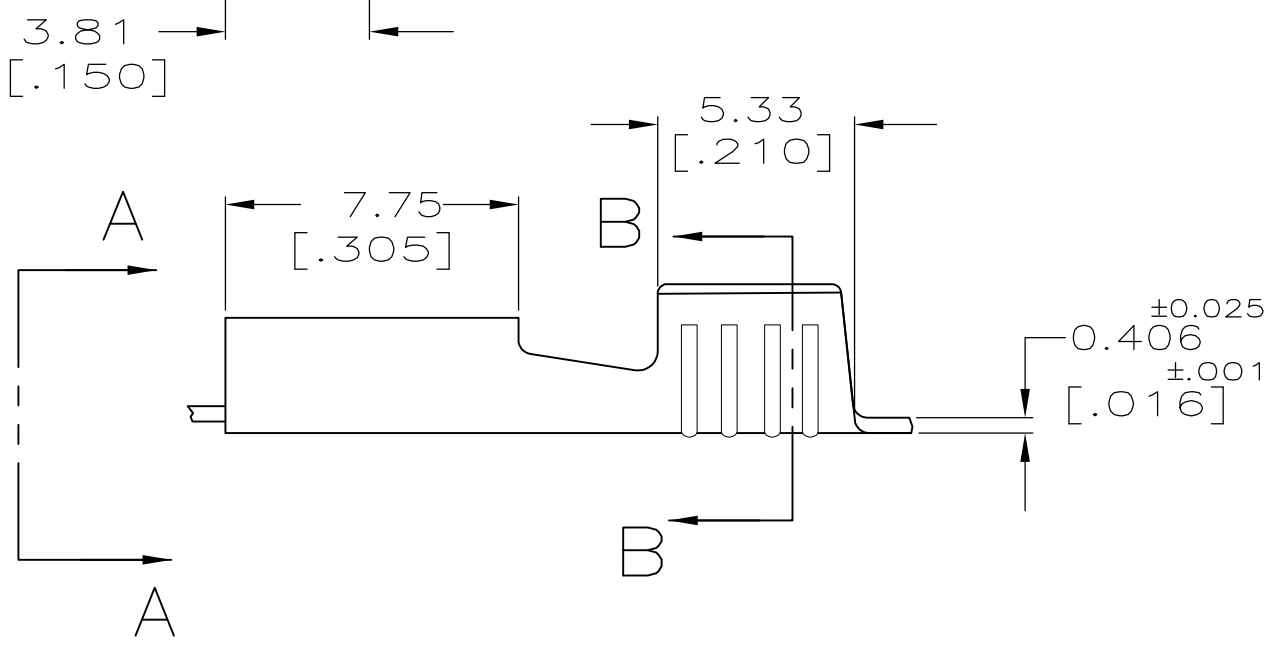


FITS 6.35 [.250] SERIES FASTON TAB


VIEW A-A
SCALE 10:1



SECTION B-B
SCALE 10:1



TIN	0.8-2.0mm ²	0.813	60938-2
-	[18-14]	[.032]	60938-1
FINISH	WIRE SIZE	MATING TAB THK ±0.025 ±[.001]	PART NO

THIS DRAWING IS A CONTROLLED DOCUMENT.		DWN JR RUTH 3/15/90	 TE Connectivity RECEPTACLE, FASTON, 6.35 [.250] SERIES			
DIMENSIONS: mm [INCHES]		CHK MS FEHER 3/15/90				
TOLERANCES UNLESS OTHERWISE SPECIFIED:		APVD C MEYERS 3/15/90				
0 PLC ± - 1 PLC ± - 2 PLC ± - 3 PLC ± 0.25 [.010] 4 PLC ± - ANGLES ± -		NAME				
MATERIAL BRASS	FINISH SEE TABLE	PRODUCT SPEC -	SIZE A3	CAGE CODE 00779	DRAWING NO C-60938	RESTRICTED TO -
CUSTOMER DRAWING			SCALE 5:1	SHEET 1 OF 1	REV F	