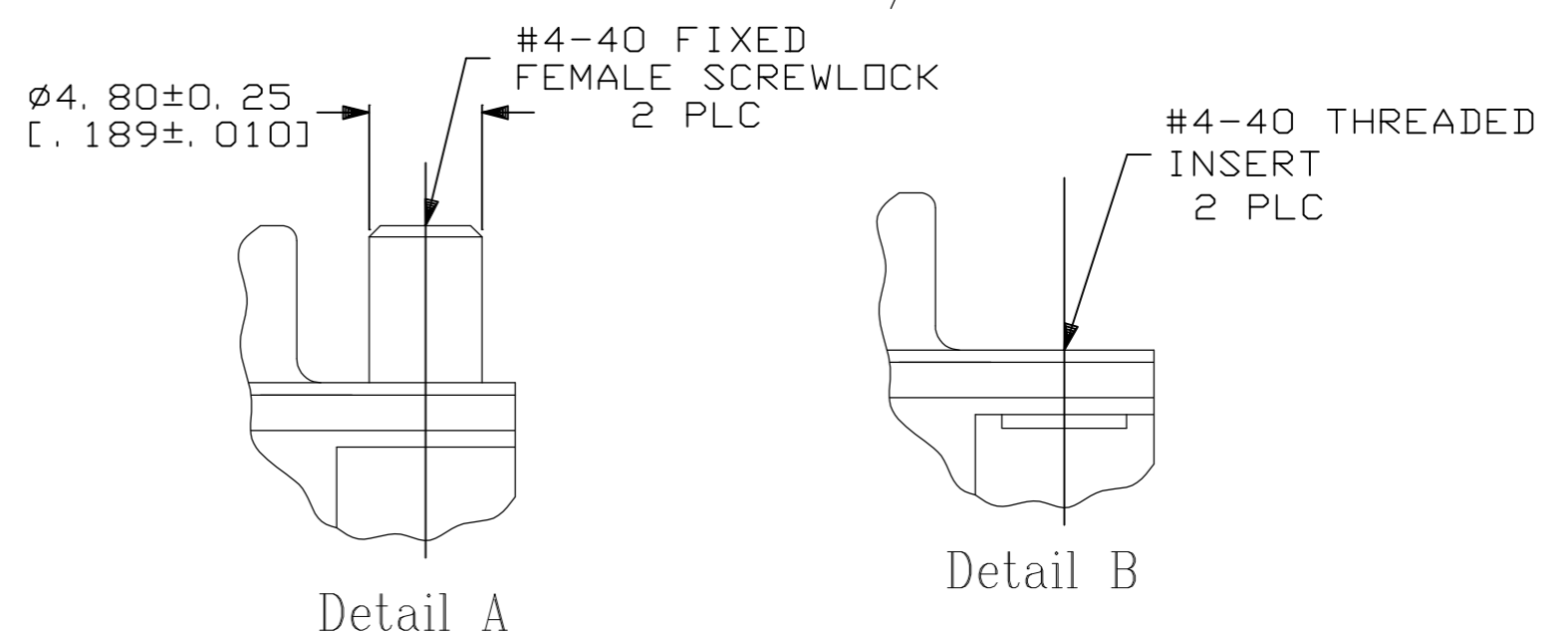
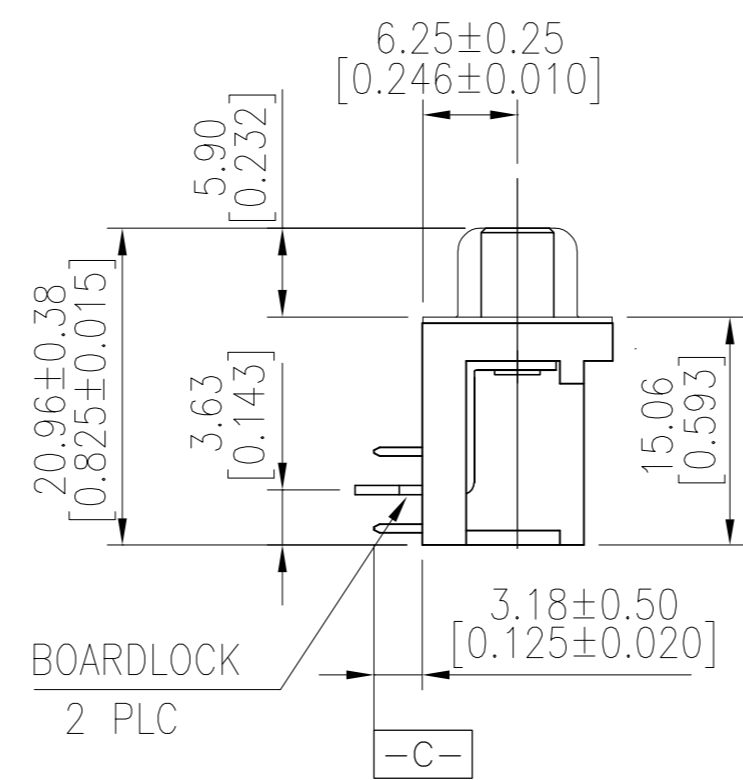
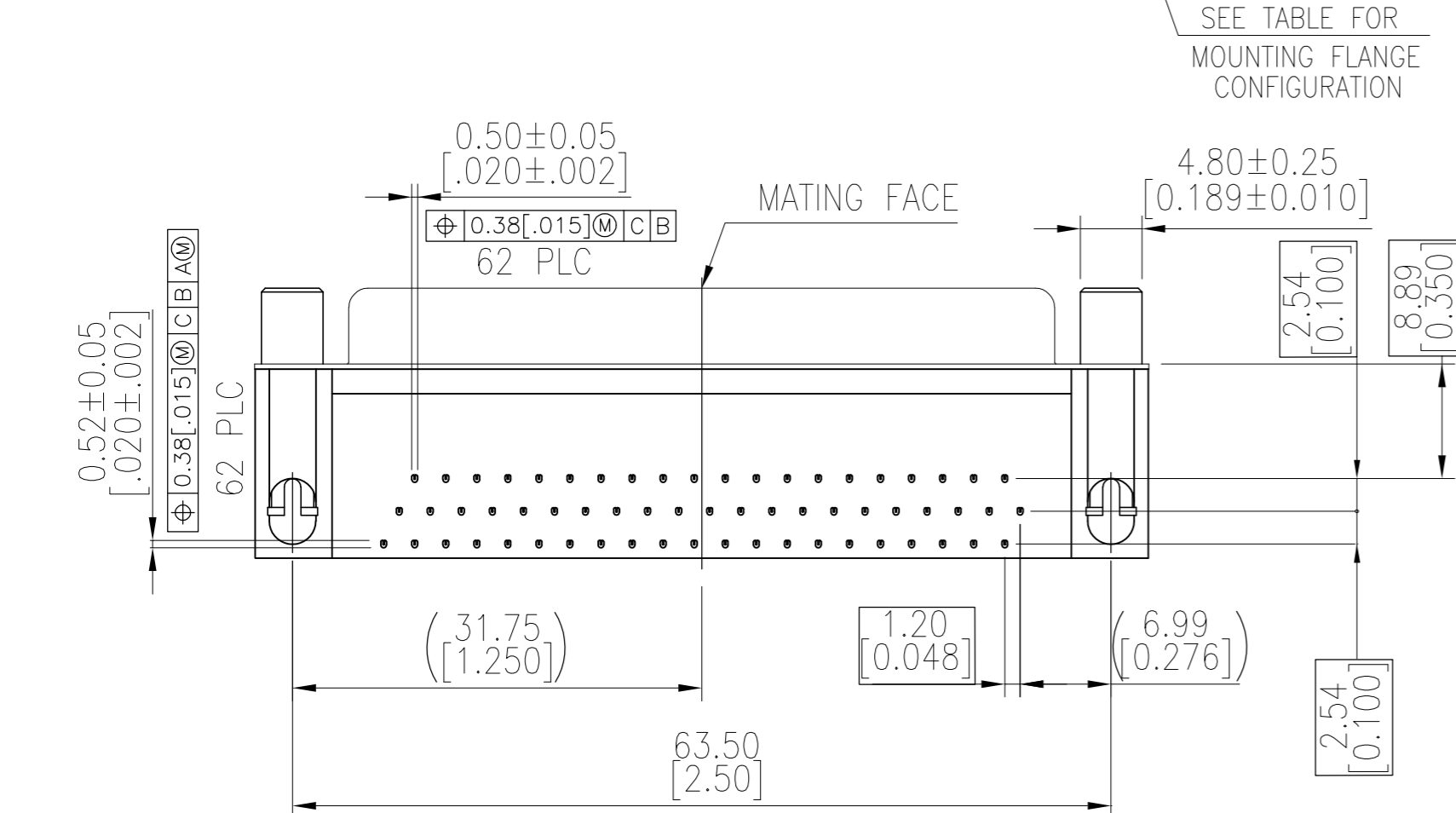
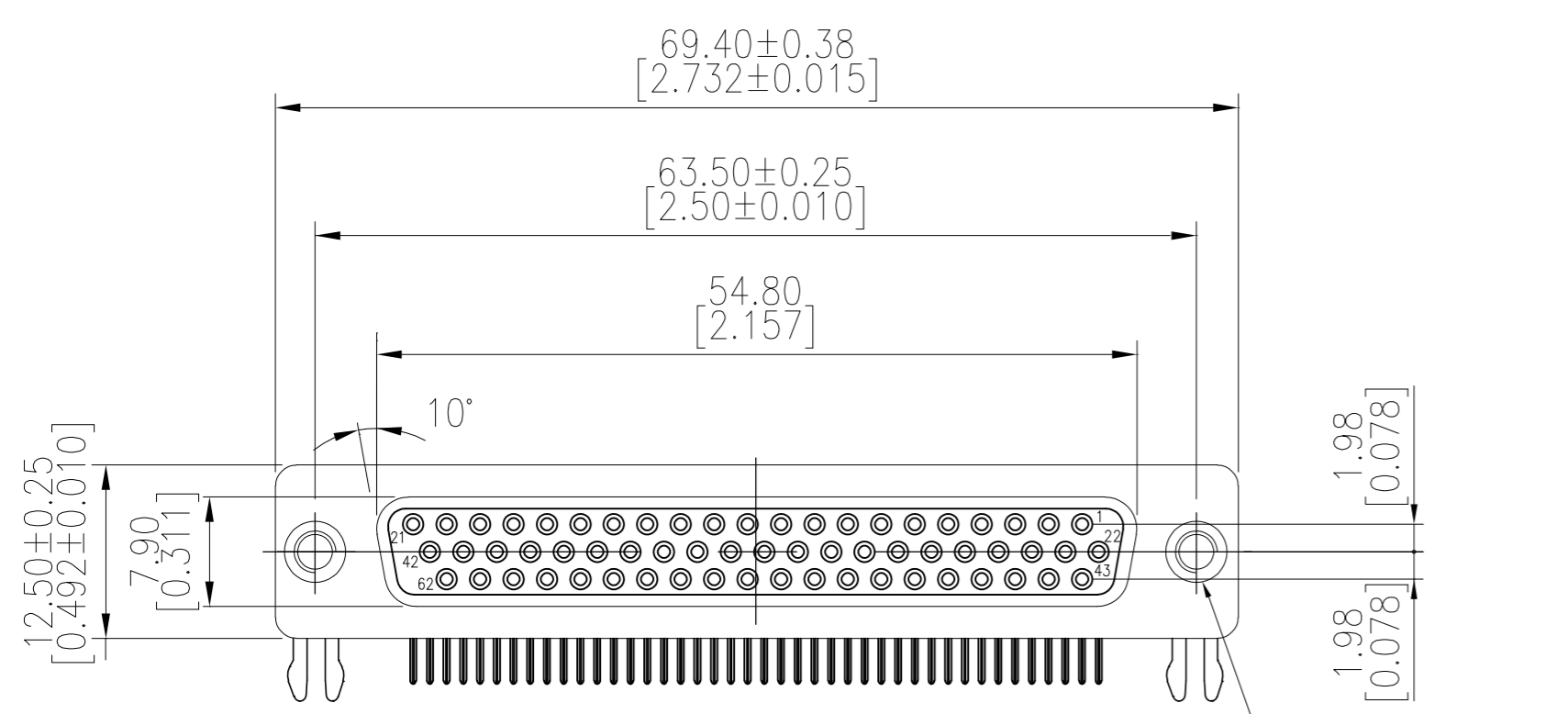
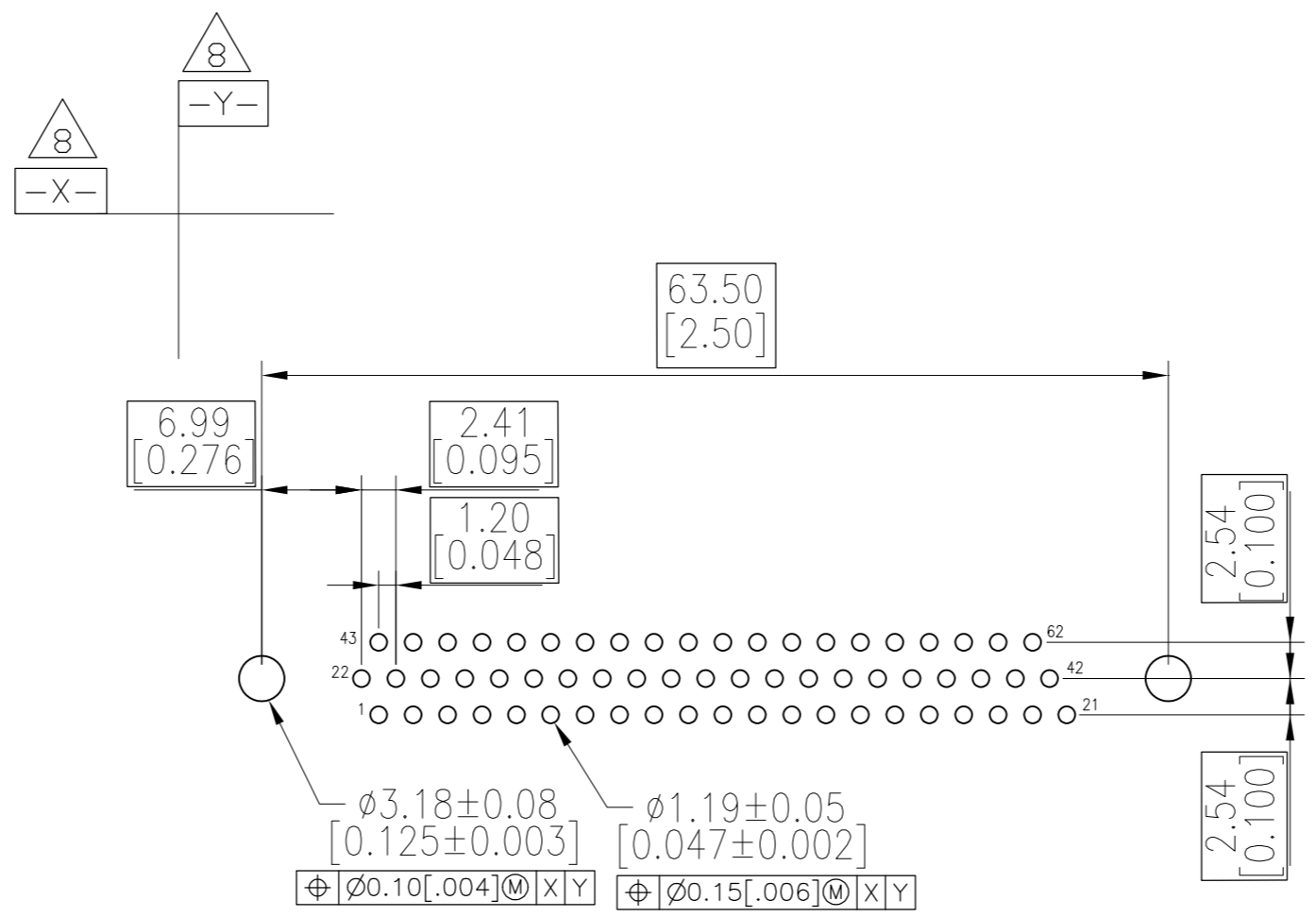
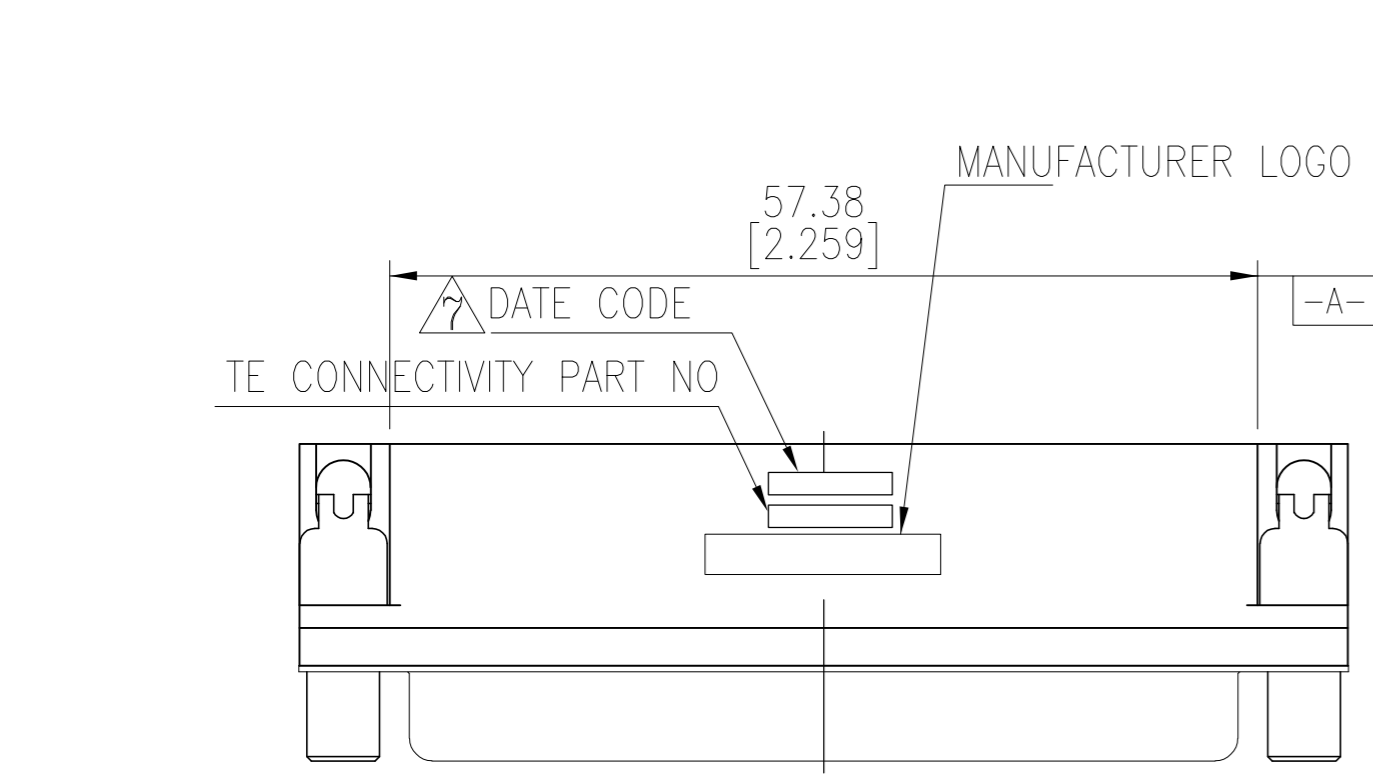


THIS DRAWING IS UNPUBLISHED. RELEASED FOR PUBLICATION
 © COPYRIGHT - By - ALL RIGHTS RESERVED.

LOC		DIST		REVISIONS			
GP	00	P	LTR	DESCRIPTION	DATE	DWN	APVD
		B2		REVISED PER ECO-11-005033	23MAR11	RK	HMR



- HOUSING MATERIAL: PBT, GLASS FILLED, BLACK, UL 94V-0 RATED.
- CONTACT MATERIAL: PHOSPHOR BRONZE.
- CONTACT FINISH: GOLD PLATE IN MATING AREA (SEE TABLE), 120μ" MIN TIN PLATE ON SOLDER TAIL, BOTH OVER 50μ" MIN NICKEL UNDERPLATE.
- SHELL: STEEL, NICKEL PLATE.
- BOARDLOCK: BRASS, 100μ" MIN TIN PLATE.
- FEMALE SCREWLOCKS/ THREADED INSERTS: BRASS, NICKEL PLATE.

FOUR DIGIT DATE CODE IN THIS FORMAT.
 Year 01 45 Manufacturing Week

DATUMS \triangle & \square TO BE ESTABLISHED BY CUSTOMER.
 OBSOLETE PARTS: OBSOLETE CIS STREAMLINING PER D.RENAUD/D.SINISI

SUPD BY 5748394-6	Tray	Detail A	Gold flash	2-5748394-6
	Tray	Detail A	15μ" MIN	2-5748394-5
SUPERSEDED	Tray	Detail B	Gold flash	2-5748394-4
	Tray	Detail B	15μ" MIN	2-5748394-3
OBSOLETE	Tray	Detail A	30μ" MIN	5748394-6
	Tray	Detail B	30μ" MIN	5748394-5
Packaging	Mounting Flange Configuration	Contact Mating Area Finish	Part NO.	

5748394-6, 2--5, & 2--6, SHOWN

THIS DRAWING IS A CONTROLLED DOCUMENT.		DWN B. MCMASTER 21SEP05		
DIMENSIONS: mm [INCHES]		CHK S. BOLASH 21SEP05		
TOLERANCES UNLESS OTHERWISE SPECIFIED:		APVD M. WALMSLEY 21SEP05	NAME	
0 PLC ± -		PRODUCT SPEC	AMPLIMITE HD-22	
1 PLC ± 0.30		APPLICATION SPEC	62 POS RECEPTACLE, RIGHT ANGLE	
2 PLC ± 0.20			SIZE	CAGE CODE
3 PLC ± 0.10			A2	00779
4 PLC ± -			DRAWING NO	RESTRICTED TO
ANGLES ± 2°			C=5748394	-
FINISH		WEIGHT	SCALE	SHEET
		-	2:1	1 of 1
		CUSTOMER DRAWING	REV	B2