



MICROCHIP

WiFly Command Reference Manual

Note the following details of the code protection feature on Microchip devices:

- Microchip products meet the specification contained in their particular Microchip Data Sheet.
- Microchip believes that its family of products is one of the most secure families of its kind on the market today, when used in the intended manner and under normal conditions.
- There are dishonest and possibly illegal methods used to breach the code protection feature. All of these methods, to our knowledge, require using the Microchip products in a manner outside the operating specifications contained in Microchip's Data Sheets. Most likely, the person doing so is engaged in theft of intellectual property.
- Microchip is willing to work with the customer who is concerned about the integrity of their code.
- Neither Microchip nor any other semiconductor manufacturer can guarantee the security of their code. Code protection does not mean that we are guaranteeing the product as "unbreakable."

Code protection is constantly evolving. We at Microchip are committed to continuously improving the code protection features of our products. Attempts to break Microchip's code protection feature may be a violation of the Digital Millennium Copyright Act. If such acts allow unauthorized access to your software or other copyrighted work, you may have a right to sue for relief under that Act.

Information contained in this publication regarding device applications and the like is provided only for your convenience and may be superseded by updates. It is your responsibility to ensure that your application meets with your specifications. MICROCHIP MAKES NO REPRESENTATIONS OR WARRANTIES OF ANY KIND WHETHER EXPRESS OR IMPLIED, WRITTEN OR ORAL, STATUTORY OR OTHERWISE, RELATED TO THE INFORMATION, INCLUDING BUT NOT LIMITED TO ITS CONDITION, QUALITY, PERFORMANCE, MERCHANTABILITY OR FITNESS FOR PURPOSE. Microchip disclaims all liability arising from this information and its use. Use of Microchip devices in life support and/or safety applications is entirely at the buyer's risk, and the buyer agrees to defend, indemnify and hold harmless Microchip from any and all damages, claims, suits, or expenses resulting from such use. No licenses are conveyed, implicitly or otherwise, under any Microchip intellectual property rights unless otherwise stated.

Trademarks

The Microchip name and logo, the Microchip logo, dsPIC, FlashFlex, flexPWR, JukeBlox, KEELOQ, KEELOQ logo, Kleer, LANCheck, MediaLB, MOST, MOST logo, MPLAB, OptoLyzer, PIC, PICSTART, PIC³² logo, RightTouch, SpyNIC, SST, SST Logo, SuperFlash and UNI/O are registered trademarks of Microchip Technology Incorporated in the U.S.A. and other countries.

The Embedded Control Solutions Company and mTouch are registered trademarks of Microchip Technology Incorporated in the U.S.A.

Analog-for-the-Digital Age, BodyCom, chipKIT, chipKIT logo, CodeGuard, dsPICDEM, dsPICDEM.net, ECAN, In-Circuit Serial Programming, ICSP, Inter-Chip Connectivity, KleerNet, KleerNet logo, MiWi, motorBench, MPASM, MPF, MPLAB Certified logo, MPLIB, MPLINK, MultiTRAK, NetDetach, Omniscient Code Generation, PICDEM, PICDEM.net, PICkit, PICtail, RightTouch logo, REAL ICE, SQI, Serial Quad I/O, Total Endurance, TSHARC, USBCheck, VariSense, ViewSpan, WiperLock, Wireless DNA, and ZENA are trademarks of Microchip Technology Incorporated in the U.S.A. and other countries.

SQTP is a service mark of Microchip Technology Incorporated in the U.S.A.

Silicon Storage Technology is a registered trademark of Microchip Technology Inc. in other countries.

GestIC is a registered trademark of Microchip Technology Germany II GmbH & Co. KG, a subsidiary of Microchip Technology Inc., in other countries.

All other trademarks mentioned herein are property of their respective companies.

© 2014-2015, Microchip Technology Incorporated, Printed in the U.S.A., All Rights Reserved.

ISBN: 978-1-63277-737-9

QUALITY MANAGEMENT SYSTEM
CERTIFIED BY DNV
== ISO/ TS 16949 ==

Microchip received ISO/TS-16949:2009 certification for its worldwide headquarters, design and wafer fabrication facilities in Chandler and Tempe, Arizona; Gresham, Oregon and design centers in California and India. The Company's quality system processes and procedures are for its PIC[®] MCUs and dsPIC[®] DSCs, KEELOQ[®] code hopping devices, Serial EEPROMs, microperipherals, nonvolatile memory and analog products. In addition, Microchip's quality system for the design and manufacture of development systems is ISO 9001:2000 certified.

Table of Contents

Chapter 1. Introduction

1.1 Overview	11
1.2 Features	12
1.3 Supported Access Points	12

Chapter 2. Getting Started

2.1 Prerequisites	13
2.2 Firmware Version Check	13
2.3 Common Tasks	14

Chapter 3. Features and Settings

3.1 Factory Reset	21
3.2 Associating to An Access Point	27
3.3 Making A Connection To the RN Module	38
3.4 Connecting the RN Module to a Remote Device	38
3.5 Sending Data To a Remote Host	40
3.6 Using the HTML Client Feature	46
3.7 FTP Client Features	51
3.8 Putting the RN Module to Sleep and Waking It	53
3.9 GPIO Functions	56
3.10 Setting Debug Print Levels	59
3.11 Using the Real-Time Clock Function	61
3.12 Time Stamping Packets	62
3.13 Soft Access Point (Soft AP) Mode	63
3.14 Upgrading Firmware	67
3.15 Analog Sensor Capability	74

Chapter 4. Command Reference

4.1 Command Syntax	77
4.2 Command Organization	78
4.3 Set Commands	79
4.4 Get Commands	132
4.5 Status Commands	135
4.6 Action Commands	138
4.7 File I/O Commands	144

WiFly Command Reference Manual

NOTES:

Preface

NOTICE TO CUSTOMERS

All documentation becomes dated, and this manual is no exception. Microchip tools and documentation are constantly evolving to meet customer needs, so some actual dialogs and/or tool descriptions may differ from those in this document. Please refer to our web site (www.microchip.com) to obtain the latest documentation available.

Documents are identified with a “DS” number. This number is located on the bottom of each page, in front of the page number. The numbering convention for the DS number is “DSXXXXXXXXA”, where “XXXXXXXX” is the document number and “A” is the revision level of the document.

For the most up-to-date information on development tools, see the MPLAB® X IDE on-line help. Select the Help menu, and then Topics to open a list of available on-line help files.

INTRODUCTION

This preface contains general information that will be useful to know before using the WiFly application to access RN modules. Topics discussed in this preface include:

- [Document Layout](#)
- [Conventions Used in this Guide](#)
- [Recommended Reading](#)
- [The Microchip Web Site](#)
- [Development Systems Customer Change Notification Service](#)
- [Customer Support](#)
- [Document Revision History](#)

DOCUMENT LAYOUT

This user’s guide provides information for configuring RN modules using the WiFly application, including a command reference, advanced features, and applications. The document is organized as follows:

- **Chapter 1. “Introduction”** – This chapter introduces the RN modules and provides a brief overview of their features.
- **Chapter 2. “Getting Started”** – This chapter provides information that is useful when getting started with an RN module.
- **Chapter 3. “Features and Settings”** – This chapter describes features and settings, including techniques to put the RN module to sleep, wake up, and methods to open a TCP connection when awake.
- **Chapter 4. “Command Reference”** – This chapter provides information on the commands used to configure RN modules and gives examples.

WiFly Command Reference Manual

CONVENTIONS USED IN THIS GUIDE

This manual uses the following documentation conventions:

DOCUMENTATION CONVENTIONS

Description	Represents	Examples
Italic characters	Referenced books	<i>MPLAB IDE User's Guide</i>
	Emphasized text	...is the <i>only</i> compiler...
Initial caps	A window	the Output window
	A dialog	the Settings dialog
	A menu selection	select Enable Programmer
Quotes	A field name in a window or dialog	"Save project before build"
Underlined, italic text with right angle bracket	A menu path	<u><i>File > Save</i></u>
Bold characters	A dialog button	Click OK
	A tab	Click the Power tab
Text in angle brackets < >	A key on the keyboard	Press <Enter>, <F1>
Plain Courier New	Sample source code	#define START
	Filenames	autoexec.bat
	File paths	c:\mcc18\h
	Keywords	_asm, _endasm, static
	Command-line options	-Opa+, -Opa-
	Bit values	0, 1
	Constants	0xFF, 'A'
<i>Italic Courier New</i>	A variable argument	<i>file.o</i> , where <i>file</i> can be any valid filename
Square brackets []	Optional arguments	mcc18 [options] <i>file</i> [options]
Curly brackets and pipe character: { }	Choice of mutually exclusive arguments; an OR selection	errorlevel {0 1}
Ellipses...	Replaces repeated text	var_name [, var_name...]
	Represents code supplied by user	void main (void) { ... }
Notes	A Note presents information that we want to re-emphasize, either to help you avoid a common pitfall or to make you aware of operating differences between some device family members. A Note can be in a box, or when used in a table or figure, it is located at the bottom of the table or figure.	<div style="border: 1px solid black; padding: 5px; margin-bottom: 5px;"> <p>Note: This is a standard note box.</p> </div> <div style="border: 1px solid black; padding: 5px; margin-bottom: 5px;"> <p style="text-align: center;">CAUTION</p> <p>This is a caution note.</p> </div> <p>Note 1: This is a note used in a table.</p>

RECOMMENDED READING

This user's guide describes how to use the WiFly application to configure an RN module. The RN module-specific data sheets contain current information on the RN module specifications. Additional Microchip documents are available and are recommended as supplemental reference resources. To obtain any of these documents, visit the Microchip web site at www.microchip.com.

RN131 Module Data Sheet (DS70005085), RN171 Module Data Sheet (DS70005084), and RN1723 Module Data Sheet (DS70005224)

Consult these documents for detailed information on the RN131, RN171, and RN1723 modules. Reference information found in this data sheet includes:

- Device pinout and packaging details
- Device electrical specifications
- List of features included on the RN module

RN131/RN171/RN1723 Evaluation Kits User's Guide (DS50002183)

This user's guide describes the RN evaluation boards that are used for demonstrating the capabilities of the RN131, RN171, and RN1723 modules. These RN evaluation boards have the flexibility to connect directly to a PC or laptops through a standard USB interface or to embedded controllers through the serial UART interface. Reference information in this user's guide includes:

- Overview of the evaluation kit hardware and evaluation board features and components
- Hardware and module configuration
- Sensor interfaces and push button functions
- Evaluation board schematics

PICDEM™ PIC18 Explorer Demonstration Board User's Guide (DS51721)

This document describes how to use the PICDEM PIC18 Explorer Demonstration Board as a development tool to emulate and debug firmware on a target board. Reference information found in this user's guide includes:

- Functionality and features
- Hardware features
- Development board schematics

Explorer 16 Development Board User's Guide (DS50001589)

This document describes how to use the Explorer 16 Development Board as a development tool to emulate and debug firmware on a target board. Reference information found in this user's guide includes:

- Functionality and features
- Hardware features
- Development board schematics

WiFly Command Reference Manual

THE MICROCHIP WEB SITE

Microchip provides online support via our web site at www.microchip.com. This web site is used as a means to make files and information easily available to customers. Accessible by using your favorite Internet browser, the web site contains the following information:

- **Product Support** – Data sheets and errata, application notes and sample programs, design resources, user's guides and hardware support documents, latest software releases and archived software
- **General Technical Support** – Frequently Asked Questions (FAQs), technical support requests, online discussion groups, Microchip consultant program member listing
- **Business of Microchip** – Product selector and ordering guides, latest Microchip press releases, listing of seminars and events, listings of Microchip sales offices, distributors and factory representatives

DEVELOPMENT SYSTEMS CUSTOMER CHANGE NOTIFICATION SERVICE

Microchip's customer notification service helps keep customers current on Microchip products. Subscribers will receive e-mail notification whenever there are changes, updates, revisions or errata related to a specified product family or development tool of interest.

To register, access the Microchip web site at www.microchip.com, click on Customer Change Notification and follow the registration instructions.

The Development Systems product group categories are:

- **Compilers** – The latest information on Microchip C compilers and other language tools
- **Emulators** – The latest information on the Microchip in-circuit emulator, MPLAB[®] REAL ICE™ in-circuit emulator
- **In-Circuit Debuggers** – The latest information on the Microchip in-circuit debugger, MPLAB ICD 3
- **MPLAB X IDE** – The latest information on Microchip MPLAB X IDE, the Windows[®] Integrated Development Environment for development systems tools
- **Programmers** – The latest information on Microchip programmers including the PICKit™ 3 development programmer

CUSTOMER SUPPORT

Users of Microchip products can receive assistance through several channels:

- Distributor or Representative
- Local Sales Office
- Field Application Engineer (FAE)
- Technical Support

Customers should contact their distributor, representative or field application engineer (FAE) for support. Local sales offices are also available to help customers. A listing of sales offices and locations is included in the back of this document.

Technical support is available through the web site at: <http://support.microchip.com>

DOCUMENT REVISION HISTORY

Revision A (January 2014)

This is the initial released version of the document.

Revision B (September 2015)

This revision includes the following updates:

- Information specific to the RN1723 module was added throughout the document
- The content was reorganized, which includes text and formatting updates that were incorporated throughout the document

WiFly Command Reference Manual

NOTES:

Chapter 1. Introduction

This reference manual provides information on the commands and features for Microchip products that utilize the WiFly radio module command set. The WiFly radio module is a complete, stand-alone embedded wireless LAN access device. The device has an on-board TCP/IP stack and applications, and in the simplest hardware configuration, requires only four pins: Power, TX, RX, and Ground. Once the initial configuration has been performed, the device automatically accesses a Wi-Fi® network and sends/receives serial data.

Topics covered include:

- [Overview](#)
- [Features](#)
- [Supported Access Points](#)

1.1 OVERVIEW

This document is applicable to the stand-alone RN131, RN171, and RN1723 modules, as well as Microchip products based on these modules. For example, the RN171XV device incorporates the RN171 module; therefore, all RN171 hardware features apply to the RN171XV. Although there are some differences, the RN131, RN171, and RN1723 modules support the same ASCII command set. [Table 1-1](#) compares the RN module features.

TABLE 1-1: COMPARING THE RN131, RN171, AND RN1723 MODULES

Feature	RN131	RN171 and RN1723
Output power (P _{MAX})	18 dBm (fixed)	12 dBm (programmable)
Lowest power	18 dBm	0 dBm (< 100 mA TX current)
On-board antenna	Yes	No
Accurate sleep timer	Yes (32 kHz)	No (+/- 10% error)
GPIO pins available	10, GPIO4-13 (GPIO1-3 are not available for use)	14, GPIO1-14

Refer to “[Recommended Reading](#)” for information on accessing the RN131, RN171, and RN1723 Data Sheets for information on their hardware differences and for detailed hardware specifications.

WiFly Command Reference Manual

1.2 FEATURES

General:

- Fully qualified and Wi-Fi certified 2.4 GHz IEEE 802.11 b/g transceiver
- FCC, CE, IC certified, and RoHS compliant

Ultra-low Power:

- Intelligent, built-in power management with programmable wake-up
- Accepts 3.3V power supply or 2 to 3V battery when using boost regulators
- RN131: 4 μ A sleep, 35 mA RX, 210m TX at 18 dBm (TX power *is not* configurable)
- RN171 and RN1723: 4 μ A sleep, 35 mA RX, 185 mA TX at 12 dBm (TX power *is* configurable)

Antenna Options:

- RN131: On-board ceramic chip antenna and U.FL connector for external antenna
- RN171 and RN1723: RF pad

Hardware:

- 8-Megabit Flash memory and 128 Kbyte RAM, 2 Kbyte ROM, 2 Kbyte battery-backed memory
- General purpose digital I/O pins:
 - RN131: 10 GPIO pins
 - RN171 and RN1723: 14 GPIO pins
- Eight analog inputs (14 bits, 1.2V)
- Real-time clock for wake-up and time stamping/data logging; automatic sleep and automatic wake-up modes

Network support:

- Supports Soft AP mode and Infrastructure networking modes
- Push button WPS mode for easy network configuration
- On-board TCP/IP stack
- Over the air firmware upgrade (FTP)
- Secure Wi-Fi authentication via WEP, WPA-PSK (TKIP), and WPA2-PSK (AES)
- Configuration over UART or wireless interfaces using simple ASCII commands
- Built-in networking applications: DHCP client, DNS client, ARP, ICMP ping, FTP client, Telnet, HTTP, UDP, and TCP

1.3 SUPPORTED ACCESS POINTS

The RN module should work with any standard Access Point (AP). Microchip has tested the RN modules with Access Points from the following manufacturers:

- Airlink101[®]
- Apple[®]
- ASUS
- Belkin
- Buffalo Networks Inc.
- Cisco
- D-Link[®]
- Dynex[®]
- Linksys
- NETGEAR
- SMC[®] Networks
- TP-LINK

Chapter 2. Getting Started

This chapter provides information for the purpose of getting started with using an RN module. All of the commands discussed in this chapter are described in detail in [Chapter 4. “Command Reference”](#).

Topics in this chapter include:

- [Prerequisites](#)
- [Firmware Version Check](#)
- [Common Tasks](#)

2.1 PREREQUISITES

Prior to using an RN module for the first time, readers should be familiar with the information in the “*RN131/RN171/RN1723 Evaluation Kits User’s Guide*” (DS50002183), which is available from the Microchip website (www.microchip.com). Refer to “[Recommended Reading](#)” for information on additional resources.

2.2 FIRMWARE VERSION CHECK

The set of available commands and features for a particular RN module depend greatly on the installed file system contents. Each RN module is loaded with firmware prior to leaving the factory. Consult the Microchip website for firmware information by visiting: <http://www.microchip.com/wifi>.

The RN module has a file system for storing firmware, as well as configuration files. To view the firmware version, use the `ls` command. The file size is displayed in sectors and the active boot image is identified in the final message. The WiFly firmware version returned by the `ls` command is shown in **bold** type in [Example 2-1](#).

EXAMPLE 2-1: DETERMINING THE FIRMWARE VERSION

FL#	SIZ	FLAGS
2	88328	3 wifly-FZX-100-r1634i
5	74432	3 web_app-FZX-112
8	46836	3 wps_app-FZX-131
10	66677	3 eap_app-FZX-105
12	51053	0 web_config.html
25	512	0 link.html
26	7268	0 logo.png
28	1060	10 config

WiFly Command Reference Manual

2.3 COMMON TASKS

This section provides information on the common tasks users may perform when using an RN module, which includes the following topics:

- [Configuring the RN Module](#)
- [Performing a Factory Reset](#)
- [Provisioning Onto and Associating With a Wi-Fi Network](#)
- [Sending Data](#)
- [Creating a Soft Access Point](#)
- [Module Sleep and Wake-up](#)

2.3.1 Configuring the RN Module

The RN module has two modes of operation: Data mode and Command mode.

In Data mode, the RN module can accept incoming connections or initiate outgoing connections. To configure parameters and/or view the current configuration, the RN module must be placed into Command mode.

2.3.1.1 ENTERING COMMAND MODE

By default, the RN module is in Data mode after power-up. Sending the escape sequence of three dollar signs, \$\$\$, causes the RN module to enter Command mode. The three dollar sign (\$) characters must be sent in succession with no additional characters before or after. A carriage return (<cr>) or line feed must not be sent after entering \$\$\$ to enter Command mode.

After entering the sequence, the RN module replies with `CMD` to indicate it is in Command mode. Once in Command mode, the RN module can be configured using simple ASCII commands, with each command ending with a carriage return <cr>. Most valid commands return `AOK`, with the exception of the `RN1723`, which returns `OK`; invalid commands return a `ERR` description.

To exit Command mode, send an exit command by typing `exit` following by a <cr>. The RN module responds with `EXIT`, indicating that it has exited Command mode and has entered Data mode.

Note: There is a 250 ms time buffer before and after the \$\$\$ escape sequence. If characters are sent before or after the escape sequence within this 250 ms interval, the RN module treats them as data and passes them over the TCP or UDP socket, and the RN module will not enter Command mode.

2.3.1.2 PARAMETERS

Various parameters can be viewed, such as the SSID, channel, IP address, serial port, and other settings, which can be configured in Command mode.

2.3.1.3 SENDING COMMANDS

Commands must be sent to the RN module through the UART or remotely via Telnet (Telnet can only be used with the `RN131` and `RN171`). When using the UART interface, the communications settings should match the RN module's stored settings. The default settings are 9,600 baud, 8 bits, No parity, 1 Stop bit, and Hardware Flow Control disabled. Command mode can be entered locally over the UART interface at any time regardless of an active TCP connection.

Note: Depending on the operating system, Microchip suggests using one of the following terminal emulator applications: Tera Term (Windows) or CoolTerm (Mac).

2.3.1.4 AUTOMATIC ACCESS POINT ASSOCIATION

When the RN module powers up, it attempts to automatically associate with the Access Point stored in its configuration settings if the auto-join feature is enabled. In firmware version 4.0 and later, the auto-join feature is disabled by default. Enable it using the ASCII command `set wlan join 1`.

The auto-associate feature can be disabled (default behavior) using the `set wlan join 0` command. This command prevents the RN module from attempting to associate with a network that does not exist.

2.3.2 Performing a Factory Reset

The `factory RESET` command initializes all of the WiFly module parameters to their factory default values. The default parameters only take effect after the RN module has been rebooted. Refer to [3.1.1 “Default Parameters After Factory Reset”](#) for more information.

To perform a factory reset, first issue the `factory RESET` command and then reboot the RN module, as follows:

```
factory RESET // restores default parameter values
reboot       // restart module; default parameters take effect
```

2.3.3 Provisioning Onto and Associating With a Wi-Fi Network

Before being allowed to communicate on a Wi-Fi network, an RN module must first be provisioned, associated to an Access Point in the network, and have a valid IP address.

There are three common ways to provision and associate an RN module onto a Wi-Fi Network:

- Association using Command mode (via a USB-UART connection)
This is the most commonly used method, which is described in the next section.
- Association through WPS
- Association through a web interface

Note: For information on associating using WPS or a web interface, consult the “*RN131/RN171/RN1723 Evaluation Kits User’s Guide*” (DS50002183), which is available from the Microchip website (www.microchip.com).

WiFly Command Reference Manual

2.3.3.1 ASSOCIATION USING COMMAND MODE

To associate using Command mode, perform the following steps:

1. Connect the RN evaluation board to the host (computer) using the USB connection. The green LED should begin blinking.



2. Open the terminal emulator application on the host.
3. Configure the serial port:
 - a) Locate the COM port that is assigned to the USB cable connected to the RN evaluation kit.
 - b) In the Terminal Emulator, select the COM port and open the Serial Port Setup dialog and make the following selections:
 - Baud rate: 9600
 - Data bits: 8
 - Parity: None
 - Stop bits: 1
 - Flow control: None
4. Enter Command mode by sequentially typing \$\$\$ with no other characters before or after (by default, the RN module is in Data mode).
5. In the terminal emulator, type `scan` and press <Enter> to actively scan for available networks.
6. To associate with the desired AP or network, enter the following commands in the terminal emulator.

```
set wlan ssid <name>           // Sets the RN module to automatically
                                // associate with the specified network
                                // upon boot-up.

set wlan pass <password>       // Provides the password to connect to
                                // the specified network

set wlan join 1                 // Sets the policy for automatically
                                // associating with Access Points. In
                                // this case, the '1' refers to
                                // associating with an AP that matches
                                // the stored SSID

save                            // Save the settings to a file named
                                // config (default)

reboot                          // Force a reboot
```


2.3.4 Sending Data

After the RN module has associated with a network and a valid IP address has been obtained, data can be sent between two RN modules or from an RN module to a server. Two methods to transfer data are available: TCP and UDP. TCP is the most common method, which is described in this section. Refer to the “RN131/RN171/RN1723 Evaluation Kits User’s Guide” (DS50002183) for information on transferring data through UDP.

Perform the following steps to transfer data using TCP:

1. Configure two RN modules to associate with an AP, as described in [2.3.3 “Provisioning Onto and Associating With a Wi-Fi Network”](#).
2. Obtain the IP address assigned to each RN module using the `get ip` command, as shown in the below example. In this example, the IP addresses assigned are 192.168.1.108 and 192.168.1.109.

```
File Edit Setup Control Wind
get ip
IF=UP
DHCP=ON
IP=192.168.1.108:2000
NM=255.255.255.0
GW=192.168.1.1
HOST=70.70.70.98:2000
PROTO=TCP,
MTU=1524
FLAGS=0x7
TCPMODE=0x0
BACKUP=0.0.0.0
<4.41>
```

```
File Edit Setup Control Wind
get ip
IF=UP
DHCP=ON
IP=192.168.1.109:2000
NM=255.255.255.0
GW=192.168.1.1
HOST=0.0.0.0:2000
PROTO=TCP,
MTU=1524
FLAGS=0x7
TCPMODE=0x0
BACKUP=0.0.0.0
<4.41> █
```

3. On one of the RN modules, open a socket using the following commands:

```
set ip proto 0x2 // Sets the IP protocol. The parameter
// 0x2 is a bit-mapped register, which
// sets the protocol to TCP.
```

```
set ip host 192.168.1.109 // Sets the IP address of the remote host
```

```
set ip remote 2000 // Sets the port number of the remote host
```

```
open // Opens a TCP connection
```

The terminal emulators on the local host and remote host respond with *OPEN*HELLO* to indicate the connection was opened successfully. Typing into one terminal emulator will display the result on the other terminal emulator.

Remote Host

```
<4.41> set ip proto 0x2
AOK
<4.41> set ip host 192.168.1.109
AOK
<4.41> set ip remote 2000
AOK
<4.41> open
<4.41> *OPEN*HELLO*█
```

Local Host

```
<4.41> *OPEN*HELLO*This is a message from ip address 108█
```

4. Use the `close` command to close the socket and disconnect TCP.

2.3.5 Creating a Soft Access Point

In Soft Access Point (Soft AP) mode, the RN module provides the following capabilities:

- Creates a Soft AP network to which client devices, such as smartphones and tablets can join
- Runs a DHCP server and issues IP addresses to a maximum of seven clients
- Supports security
- Supports routing between clients (only when security is *not* enabled)

There are two methods, Hardware and Software, to enable Soft AP mode on an RN module. Enabling Soft AP mode in hardware is done by holding the GPIO9 pin high (at 3.3V), and then resetting the RN module by cycling the power. The RN module will boot-up in Soft AP mode. To enable Soft AP mode in software, the `apmode` command is used.

Once an RN module is in Soft AP mode, any client device can associate with the network the RN module is broadcasting.

2.3.5.1 CUSTOMIZED SOFT AP MODE NETWORK SETTINGS

The following commands illustrate customized network settings that can be used after enabling Soft AP mode:

```
set wlan join 7 // Creates a Soft AP network using
                // stored configuration values. The AP
                // is created upon power-up, reboot, or
                // waking from sleep.

set apmode ssid <string> // Set the network broadcast SSID

set apmode passphrase <string> // Set the AP mode passphrase

set ip address <address> // Specify the IP address

save // Save the settings

reboot // Reboot the RN module in Soft AP mode
```

Refer to [3.13 “Soft Access Point \(Soft AP\) Mode”](#) for detailed information on both methods.

2.3.6 Module Sleep and Wake-up

There are three methods by which an RN module can be placed into Sleep mode.

- The first method is by using the `sleep` command through the UART interface
- The second method is to use the sleep timer through the internal RTC interface. In this method, the RN module sleeps for the number of seconds specified in the `set sys wake <value>` command.
- The third method is to drive the GPIO8 pin high. In this method, the RN module sleeps as soon as the GPIO8 pin is set high. To enable this feature, use the `set sys trigger 0x20` command.

2.3.6.1 USING TIMERS FOR SLEEP AND WAKE-UP

WiFly-based RN modules have a set of timers that can be used to both put the RN module to sleep and to wake-up the RN module.

While the RN module is sleeping, it consumes only 4 μ A of current. During the time the RN module is awake, it can be made to perform any operation the application requires.

The following set of commands illustrate one method of periodically putting the RN module to sleep for a period of time, and then waking up the RN module:

```
set wlan ssid my_net          // Sets the SSID to connect to after
                               // waking up

set wlan passphrase my_pass // Set the connection passphrase

set sys sleep 30              // Set the RN module to sleep after being
                               // awake for 30 seconds

set sys wake 90               // Wakes the RN module after being in
                               // sleep for 90 seconds

save                          // Save the settings

reboot                        // Reboot the RN module
```

Refer to [3.8 “Putting the RN Module to Sleep and Waking It”](#) for more information.

WiFly Command Reference Manual

NOTES:

Chapter 3. Features and Settings

This chapter describes the RN module's features and settings, including techniques for placing the RN module into sleep mode and waking up the RN module, as well as methods to open a TCP connection when the RN module is awake. In addition, the UART flow control, alternative GPIO functions, and the real-time clock are described.

The following topics are discussed:

- [Factory Reset](#)
- [Associating to An Access Point](#)
- [Making A Connection To the RN Module](#)
- [Connecting the RN Module to a Remote Device](#)
- [Sending Data To a Remote Host](#)
- [Using the HTML Client Feature](#)
- [FTP Client Features](#)
- [Putting the RN Module to Sleep and Waking It](#)
- [GPIO Functions](#)
- [Setting Debug Print Levels](#)
- [Using the Real-Time Clock Function](#)
- [Time Stamping Packets](#)
- [Soft Access Point \(Soft AP\) Mode](#)
- [Upgrading Firmware](#)
- [Analog Sensor Capability](#)

3.1 FACTORY RESET

Performing a factory reset on an RN module initializes all of the RN module parameters to their factory default state. This is accomplished by first issuing the `factory RESET` command, immediately followed by the `reboot` command.

Internal to the RN module, the `factory RESET` command loads all of the default parameter settings into RAM, and then writes these settings into a standard configuration file that the RN module maintains. When the RN module is subsequently rebooted, the settings that were saved in the configuration file take effect.

Microchip recommends that before any major operational modes changes are made to an RN module, that a `factory RESET` and a `reboot` command be executed. One such example is switching the RN module from operating as a Soft AP to that of a HTML client. In this instance, the procedure would be to first factory Reset and reboot the RN module, set it up as a HTML client, save the configuration, and then reboot the RN module a second time.

3.1.1 “Default Parameters After Factory Reset” lists all of the default WiFly settings for an RN module.

WiFly Command Reference Manual

3.1.1 Default Parameters After Factory Reset

TABLE 3-1: SOFT AP MODE PARAMETERS

Parameter	Default Value	Comment
Beacon	102	Time in milliseconds. <i>For Soft AP mode only.</i>
Probe	5	Number of seconds for beacons before declaring Soft AP is lost. <i>For Soft AP mode only.</i>
Reboot	0	<i>For Soft AP mode only.</i>

TABLE 3-2: BROADCAST PARAMETERS

Parameter	Default Value	Comment
IP address	255.255.255.255	—
Port	55555	—
Interval	7	Time in seconds.
Backup address	0.0.0.0	—
Backup port	0	—

TABLE 3-3: COMM PARAMETERS

Parameter	Default Value	Comment
Close string	*OPEN*	—
Open string	*CLOS*	—
Remote string	*HELLO*	—
Flush size	1420	—
Match character	0	—
Flush timer	10	Time in milliseconds.
Idle timer	0	—
CMD char	\$	—

TABLE 3-4: DNS PARAMETERS

Parameter	Default Value	Comment
IP address	0.0.0.0	—
Name	dns1	—
Backup	rn.microchip.com	—
Lease	8640	<i>For Soft AP mode only.</i>

TABLE 3-5: FTP PARAMETERS

Parameter	Default Value	Comment
Server address	0.0.0.0	—
File	wifly-GSX-<version>.img	Firmware for RN131 modules.
	wifly-EZX<version>.img	Firmware for RN171 modules.
	wifly-FZX<version>.img	Firmware for RN1723 modules.
	wifly3-<version>.mif	Firmware and applications for RN131 modules.
	wifly7-<version>.mif	Firmware and applications for RN171/RN1723 modules.
User	roving	—
Password	Pass123	—
Dir	public	—
Timeout	200	—
FTP_mode	0x0	—

TABLE 3-6: IP PARAMETERS

Parameter	Default Value	Comment
DHCP	ON	'1' equals enabled.
IP address	0.0.0.0	—
Net mask	255.255.255.0	—
Local port	2000	—
Gateway	0.0.0.0	—
Host	0.0.0.0	—
Remote port	2000	—
Protocol	2	TCP server and client.
MTU	1524	—
Flags	0x7	—
TCP mode	0x7	—
Backup	0.0.0.0	—

TABLE 3-7: OPTIONAL PARAMETERS

Parameter	Default Value	Comment
Device ID	WiFi-GSX	—
Join timer/WPA timer	1000	—
Replacement char	\$	0x24
Format	0x00	—
Password	""	No password enforced.
Signal	0	—
Average	5	—

TABLE 3-8: SYSTEM PARAMETERS

Parameter	Default Value	Comment
Sleep timer	0	—
Wake timer	0	—
Trigger	0x1	SENS0 pin wakes up the device.
Auto connect	0	—
IOfunc	0x0	No alternate functions.
IOMask	0x20F0	For RN131 modules.
	0x21F0	For RN171 and RN1723 modules.
IOvalue	0x0	—
Print level	0x1	Print enabled
Debug Register	0x0	Unused parameter for future development. Leave at default value.
LaunchString	web_app	—

TABLE 3-9: TIME SERVER PARAMETERS

Parameter	Default Value	Comment
Enable	0	Disabled.
Server address	64.90.182.55	Fixed to Port 123 - SNTP protocol.
Zone	7	Pacific time zone (USA).

WiFly Command Reference Manual

TABLE 3-10: UART PARAMETERS

Parameter	Default Value	Comment
Baudrate	9600	—
Flow	0	Disabled.
Mode	0	—
Cmd_GPIO	0	—

TABLE 3-11: WLAN PARAMETERS

Parameter	Default Value	Comment
SSID	roving1	—
Channel	0	Automatic scan.
External antenna	0	Off - use on-board chip antenna. <i>For RN131 modules only.</i>
Join mode	1	Automatically scan and join based on SSID.
	0	Automatic scan and join is disabled.
Authentication mode	OPEN	—
Mask	0x1FFF	All channels.
Rate	12	24 Megabit.
Linkmon	0	—
Passphrase	rubygirl	—
TX Power	0	Implies 12 dBm. <i>For RN171 modules only.</i>

3.1.2 String Variable Sizes

Table 3-12 provides the string variable sizes for the following parameters:

TABLE 3-12: STRING VARIABLE SIZES

Parameter Type	Parameter	Value (Bytes)
FTP	file	32
	user	16
	pass	16
	dir	32
wlan	ssid	32
	phrase	64
DNS	DNS host name	64
	DNA back-up host name	64
comm	open	32
	close	32
	remote	64
	deviceid	32

3.1.3 Restoring Default Configuration Settings

3.1.3.1 RESTORING THROUGH SOFTWARE AND HARDWARE

The default factory configuration settings can be restored in software and hardware.

- **Software** – In Command mode, use the `factory RESET` command to restore the default settings. This command automatically loads the default settings and executes a `save` command. Next, send the `reboot` command so that the RN module reboots with the default configuration.
- **Hardware** – Set the GPIO9 pin high on power-up to enable the factory reset function. Then, toggle GPIO9 five times, which restores the configuration to the factory reset. The GPIO9 pin is sampled at approximately 1 Hz; therefore, if a CPU is used to generate the signal, ensure that GPIO9 transitions (high-to-low or low-to-high) for a period of at least one second.

3.1.3.2 USER CONFIGURATION FILE

Note: The user configuration file can be specified based on firmware version, as follows:

- RN131 and RN171 modules with firmware version 2.45 and later
- RN1723 modules with firmware version 1.0 or later

A user configuration file can be specified and then used to restore a custom set of factory reset settings. For example, if the configuration file named `user` is found on the RN module's file system, the RN module reads it as the factory default instead of using the factory hardcoded defaults. If no user configuration file is present, the RN module uses the hardcoded factory defaults.

The user configuration file is created using the `save user` command, which saves the current configuration settings into a file named `user`.

Even if a user configuration file exists, enabling and toggling the GPIO9 pin seven times overrides the user settings and restores the RN module to the factory hardcoded defaults. This bypass mechanism allows the factory defaults to be restored in the event that an invalid parameter was saved in the user-defined configuration file.

Issuing the `factory RESET` command while in Command mode restores the RN module to a factory default state.

Note: The RN module must be rebooted or Reset for the new settings to take effect.

3.1.4 Boot-up Timing Values

Table 3-13 shows the boot-up timing values.

TABLE 3-13: BOOT-UP TIMING VALUES

Function	Description	Time (ms)
Power-up	Power-up time from reset high or from the time of power-up to when boot code is loaded from Flash to RAM.	70
Initialization	Initialize ECOS.	50
Ready	Load configuration and Initialize application.	30

WiFly Command Reference Manual

TABLE 3-13: BOOT-UP TIMING VALUES

Function	Description	Time (ms)
Join	Associate using channel = 0 (full channel scan, mask = 0x1FFF).	80
	Associate using channel = 0 (primary channel scan, mask = 0x421)	15
	Associate using channel = X (fixed channel)	5-20
Authentication	Authenticate using WPA1 or WPA2 (highly dependent on access point response)	50-250
Acquire IP	DHCP obtain IP address (highly dependent on DHCP server response time)	Soft AP Dependent

3.2 ASSOCIATING TO AN ACCESS POINT

Configuring the RN module to make connections involves associating with an Access Point and opening a connection. Before the RN module can be configured over the Wi-Fi link, the RN module must be associated with a network and the network settings must be programmed. Therefore, the best method to configure the RN module is by using the UART. This section describes how to configure the RN module over the UART using the RS-232 connector or an evaluation board. For this mode, open a terminal emulator on the COM port associated with the RN module. The default baud rate is 9,600, 8 bits, and No parity.

3.2.1 Associate With an Access Point

From within the terminal window, place the RN module into Command mode by typing `$$$`. The RN module responds with `CMD`, indicating that it is in Command mode. Type `show net` to display the current network settings, as shown in [Figure 3-1](#).

FIGURE 3-1: DISPLAY CURRENT NETWORK SETTINGS

```
CMD
show net
SSid=TheLoft
Chan=6
Assoc=OK
DHCP=OK
Time=FAIL
Links=1
<2.03>
```

Find all available networks with the `scan` command, as shown in [Figure 3-2](#).

FIGURE 3-2: FIND AVAILABLE NETWORKS

```
CMD
scan
<2.03>
SCAN:Found 6
Num      SSID      Ch  RSSI  Sec  MAC Address      Suites
1        roving1   01  -64   Open  00:1c:df:4f:45:9e  104      4
2        NETGEAR   01  -58   Open  00:22:3f:6b:95:42  104      0
3        07FX12018434 06  -73   WEP   00:18:3a:7e:71:d7  1104     0
4        TheLoft   06  -51   WPA2PSK 00:0c:41:82:54:19 AESM-AES  1100     0
5        airlink-11 11  -53   WPAv1  00:18:02:70:7e:e8 TKIPM-TKIP 3100    ac
6        sensor    11  -52   Open   00:1c:df:cc:aa:d8  100      1
```

To connect to an open network, use the `join` command to associate with the access point. The scan list in [Figure 3-2](#) shows that `roving1` is an open access point. Type `join roving1` (or `join # 1`) to associate with the network, as shown in [Figure 3-3](#).

FIGURE 3-3: JOIN THE NETWORK

```
<2.03> join roving1
Auto-Assoc roving1 chan=1 mode=OPEN SCAN OK

<2.03> Associated!
DHCP in lms: Renew: 86400 s
IF is UP
DHCP=ON
IP=10.20.20.62:2000
NM=255.255.255.0
GW=10.20.20.20
HOST=0.0.0.0:2000
PROTO=2
MTU=1460
bind=-10
listen FAIL
```

If the access point is secure, the passphrase must be set prior to issuing the `join` command. The RN module attempts to inquire and determine the access point's security protocol which means the authentication mode does not need to be set. To set the WPA passphrase use the `set wlan passphrase <string>` command. For WEP, set the key using the `set wlan key <value>` command.

Once the RN module has joined the network successfully, it stores the access point's SSID. The SSID and the passphrase can be saved to the configuration file so that the RN module can associate with the access point each time it boots.

3.2.2 Wi-Fi Protected Setup (WPS)

Wi-Fi Protected Setup (WPS) protocol created by the Wi-Fi Alliance is a standard for easy and secure establishment of a wireless home network.

The goal of the WPS protocol is to simplify the process of configuring security on wireless networks. The protocol is meant to allow home users who know little of wireless security and may be intimidated by the available security options to configure Wi-Fi Protected Access, which is supported by most Wi-Fi certified devices that are available for purchase today.

The most common mode of WPS is the Push Button (PBC) mode, in which the user simply pushes a button on both the access point and the wireless client (e.g., the RN module), as shown in [Figure 3-4](#).

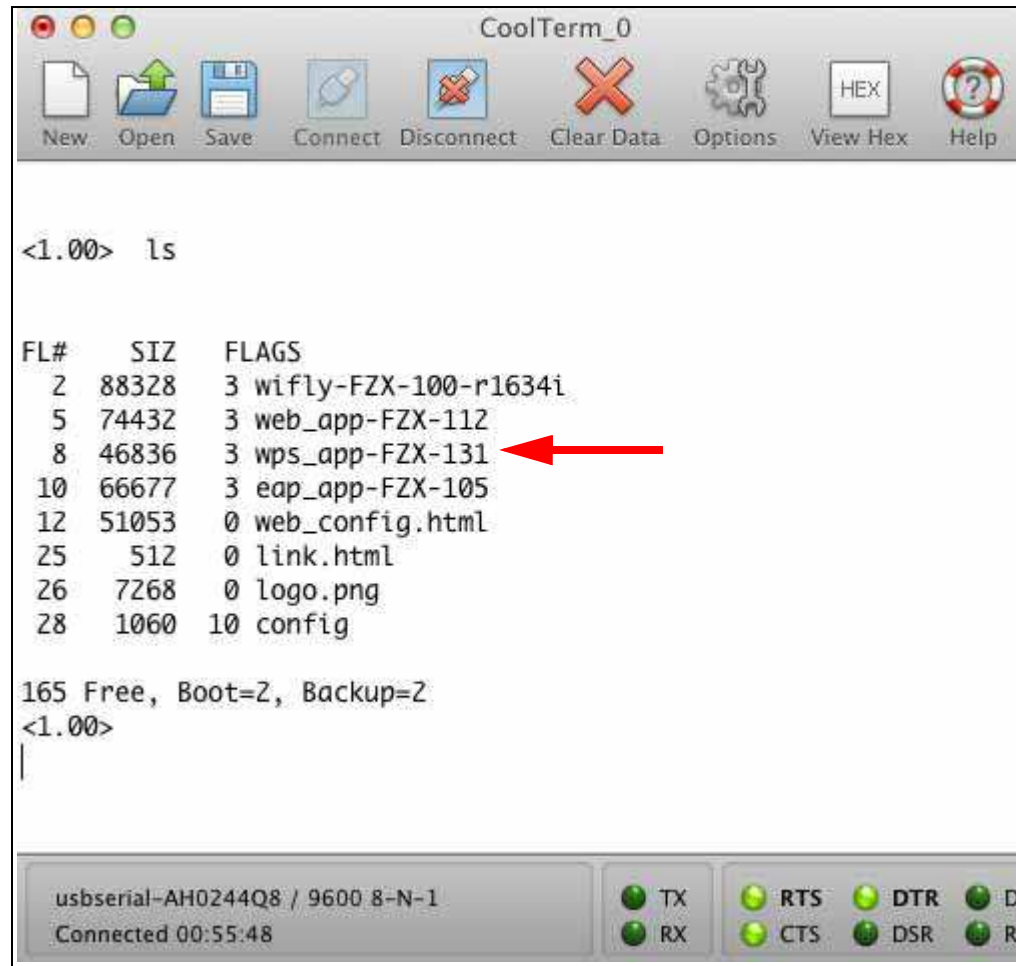
FIGURE 3-4: PUSH BUTTON WPS



Depending on the firmware version, the RN module supports the WPS feature.

Note: Use the `ls` command to confirm whether the RN module supports the application, as shown in [Figure 3-5](#).

FIGURE 3-5: CONFIRMING WPS APPLICATION INSTALLATION



WiFly Command Reference Manual

3.2.2.1 LAUNCHING A WPS APPLICATION

There are two ways to run a WPS function:

- Using the `run wps` command in the console
- Using GPIO9

To run a WPS function using the factory reset (GPIO9) mode:

1. Enable the WPS function on GPIO9 using the `set sys launch wps_app` command. WPS on GPIO9 is disabled by default to avoid accidentally running the WPS function.
2. The WPS application is started when GPIO9 asserted.

When the WPS application launches, it negotiates the SSID and passphrase with the Soft AP and reboots the RN module to associate with the WPS-enabled access point.

Note: Depending on the firmware version, if the GPIO9 pin is high, the RN module boots in Soft AP mode. Care must be taken to drive GPIO9 low before the RN module reboots. A good indicator is the red LED on the RN171 evaluation board. When this LED flashes, indicating the RN module is scanning for a WPS-enabled access point, the GPIO9 pin should be driven low.

By default, during the WPS process, the RN module prints messages on the UART as it scans channels, detects access points, and tries to complete WPS. These messages are disabled using the `set sys print 0` command.

3.2.3 Configuration Web Server

Note: Depending on the firmware version, the Web Server application is available for use in configuring the RN module, as follows:

- RN131 and RN171 modules with firmware version 4.0 and later
- RN1723 modules with firmware version 1.0 or later

This section describes how to use the RN module's configuration Web server to associate an RN module to an access point.

RN modules can operate in one of two modes: Infrastructure and Soft AP.

- Infrastructure mode

In this mode, the RN module can join a network created by an access point.

- Soft AP mode

In this mode, the RN module behaves as an access point with limited functionality.

A key challenge when using any embedded device in Infrastructure mode is to provision it so that it can associate with a Soft AP. This process requires storing the Soft AP's settings, such as the SSID and passphrase, in the embedded device.

Embedded Wi-Fi modules can be configured or provisioned to join an infrastructure network in several ways:

- Sending ASCII commands to the RN module over a UART
- Sending ASCII commands remotely while the RN module is in Soft AP mode
- Using Wi-Fi Protected Setup (WPS)
- Sending commands to the RN module remotely using a web interface

3.2.3.1 USING THE CONFIGURATION WEB SERVER

Configuring the embedded RN module to associate with an Soft AP in Infrastructure mode involves the following process:

1. Start the RN module's configuration Web Server.
2. Connect the client device (i.e., PC, smartphone, tablet, etc.) to the RN module's Soft AP network.
3. Access the RN module's configuration web page from the client device's web browser.
4. Save the settings (SSID and passphrase) in the web browser and exit.

WiFly Command Reference Manual

3.2.3.1.1 Start the Configuration Web Server

The Web Server can be enabled in one of two ways: hardware or software. When the configuration Web Server is started, it creates a Soft AP network with the settings shown in [Table 3-14](#).

TABLE 3-14: SOFT AP NETWORK SETTINGS

Setting	Soft AP Mode Default
SSID	<ul style="list-style-type: none">• WiFly-GSX-XX (RN131 module)• WiFly-EXZ-XX (RN171)• WiFly-FXZ-XX (RN1723) Where 'XX' is the last byte of the RN module's MAC address.
Channel	1
DHCP server	Enabled
IP address	192.168.1.1
Netmask	255.255.255.0
Gateway	192.168.1.1

Note: The Soft AP network's SSID uses the RN module's device ID parameter. If the device ID parameter is changed using the `set opt device_id <string>` command, the RN module uses this new device ID as the Soft AP network's SSID. The device ID parameter is not set to a default if a factory reset is performed.

3.2.3.1.2 Starting the Configuration Web Server in Hardware

The Web Server can be started through hardware using GPIO9. To use GPIO9, specify that the web application should launch using the command `set sys launch_string web_app` (default configuration).

With the launch string set, drive the GPIO9 pin high any time after power-up to start the Web Server. The RN module creates a Soft AP network with the parameters previously described in [Table 3-14](#).

- Note 1:** Do not drive GPIO9 high upon power-up. Doing so starts Soft AP mode and does not launch the Web Server.
- 2:** When using an evaluation kit, GPIO9 is accessible using a jumper or push button.

3.2.3.1.3 Starting the Configuration Web Server in Software

If GPIO9 is not accessible using a push button or a jumper, an embedded microcontroller can start the configuration Web Server in software using the command `run web_app`. This command runs the configuration Web Server application and creates a Soft AP network to which devices can join and configure the RN module from a web browser.

3.2.3.2 STATUS LEDs IN CONFIGURATION WEB SERVER MODE

The status LEDs provide a visual indication of the RN module's state while using the configuration Web Server feature, as shown in [Table 3-15](#).

TABLE 3-15: STATUS LEDs

Event	LED	Action
Launch Soft AP mode	Red, green	Blink alternately
	Yellow, blue	Off
Client associated with the Soft AP network	Green	Solid on
	Yellow	Blinks fast (twice per second)
Web browser launched on the client	Blue	Solid on
	Green	Solid on
	Yellow	Blinks fast (twice per second)

3.2.3.3 USING THE WEB SERVER TO CONFIGURE THE RN MODULE

This section describes how to use the Web Server to configure the RN module with the SSID and passphrase of the Soft AP. The example uses the Internet Explorer web browser running on a Windows 7 personal computer; however, the same concepts apply to any device with a Wi-Fi interface, such as an iPhone, Android smartphone, tablet, or PCs, running a web browser such as Chrome, Firefox, or Safari.

To configure the RN module using a web browser, perform the following steps:

1. Associate a PC to the RN module's Soft AP network, as shown in [Figure 3-6](#).

FIGURE 3-6: MODULE'S NETWORK NAME



2. Launch a web browser.

WiFly Command Reference Manual

3. Type `http://config` to go to the home page of the Web Server running on the RN module. The page has two tabs displayed by default, as shown in [Figure 3-7](#):
 - Network Configuration
This tab is used to set the Soft AP's SSID and passphrase.
 - Information
This tab displays the following information about the RN module:
 - RN module's MAC address
 - Module type (RN131 or RN171/RN1723)
 - List of files on the file system
 - Battery strength

FIGURE 3-7: NETWORK CONFIGURATION TAB

The screenshot shows the 'Network Configuration' tab of the WiFly web interface. At the top, there are two tabs: 'Network Configuration' (selected) and 'Information'. The main content area is titled 'Access Point Configuration' and includes the subtitle 'Configuration parameters for joining a network'. Below this, there is a section for 'Available Access Points' with a text box containing the instruction 'Press 'Refresh List' button to populate' and a 'Refresh List' button. The 'Access Point SSID' field contains the text 'roving1'. The 'Passphrase' field is empty. Below these fields is the 'Network Configuration' section, subtitled 'Configuration parameters for the network (Note: DHCP is recommended)'. It features a 'Use DHCP' section with a checked checkbox and the text 'Check to enable DHCP', and a 'Save Configuration' button. At the bottom left, there is an 'Exit Web Configuration App' button, and at the bottom right, there is a checkbox labeled 'Display Advanced Tabs'.

4. Select the Network Configuration tab, as shown in [Figure 3-7](#). The RN module's network settings (SSID and passphrase) are configured using this tab. Configure these settings as follows:
 - a) Enter the network's SSID in the Access Point SSID field.
Alternatively, click **Refresh List**. The RN module scans for networks and displays a list of found networks. Select your network from the **Available Access Points** list or enter it in the **Access Point SSID** box. Clicking an SSID displays a drop-down menu with more information about that network, such as channel, RSSI, security mode (WEP, WPA, WPA2), capabilities, WAP configurations, WPS configuration, and the Soft AP's MAC address (also called BSSID). If the desired access point is not in the list, click **Refresh List** to scan again.
 - b) Enter the Soft AP's security passphrase in the Passphrase field.
 - c) (Optional) The RN module uses DHCP by default. To assign the RN module a static IP, turn off the **Check to enable DHCP** option and enter the static IP, subnet mask, and gateway.
 - d) Once the network settings have been configured, click **Save Configuration** to save the settings to the RN module.
5. Exit the Web Server by clicking **Exit Web Configuration App**. The RN module reboots in Infrastructure mode and joins the wireless network.

Note: If the wireless network is hidden (i.e., not broadcasting an SSID), it does not display in the scan output. In this case, the SSID must be manually entered.

WiFly Command Reference Manual

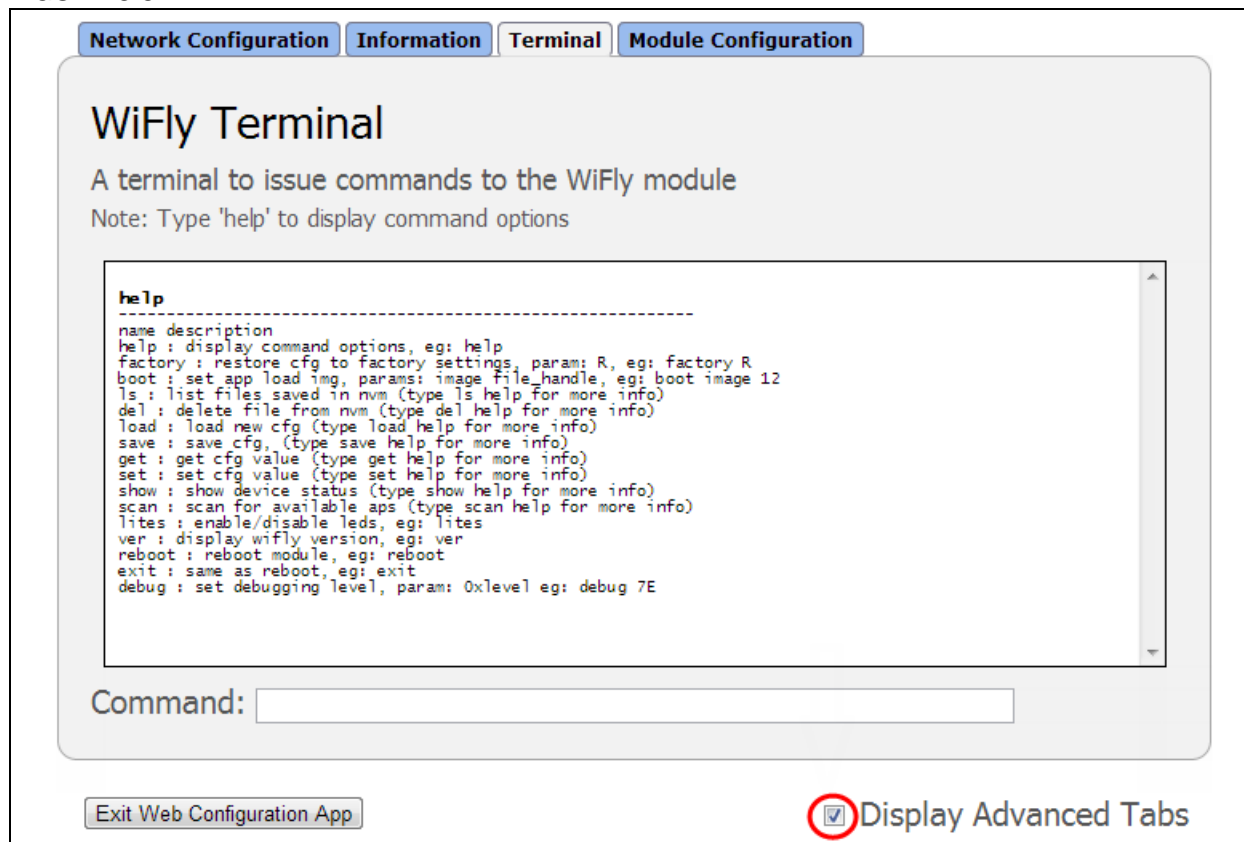
3.2.3.4 USING THE ADVANCED TABS

Turning on the **Display Advanced Tabs** option (bottom right corner of the application window) opens the **Terminal** and **Module Configuration** tabs.

3.2.3.4.1 Terminal Tab

Click the **Terminal** tab (see [Figure 3-8](#)). In this tab, ASCII commands can be issued to configure any of the RN module's parameters. The Web Server includes a Help utility that guides the user through the RN module configuration. To use this feature, type `help` in the terminal.

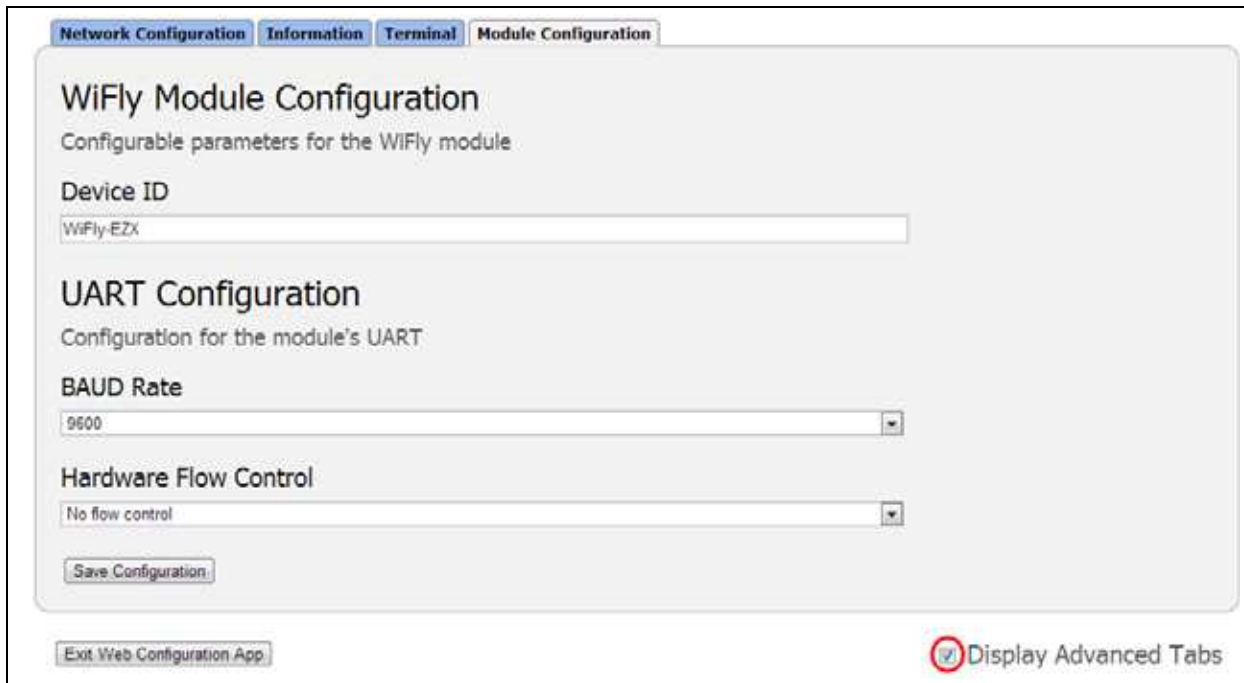
FIGURE 3-8: TERMINAL TAB



3.2.3.4.2 Module Configuration Tab

Click the RN module **Configuration** tab (see [Figure 3-9](#)). In this tab, the RN module's frequently used parameters such as device ID, UART baud rate, and flow control are configured. Other parameters can be configured using ASCII commands in the **Terminal** tab.

FIGURE 3-9: MODULE CONFIGURATION TAB



3.2.3.5 WEB SERVER TIMERS

The application includes two timers to ensure that the Web Server runs smoothly:

- Idle timer
- Browser disconnect timer

3.2.3.5.1 Idle Timer

The idle timer ensures that the client associated with the RN module's Soft AP network is not lost or unresponsive. If there is no interaction between the configuration Web Server and the client's web browser for five minutes (default value), the RN module reboots to the boot image. To restart the configuration Web Server, it must be started in software or hardware as described in [3.2.3.1.1 "Start the Configuration Web Server"](#).

The time-out defaults to five minutes (300 seconds) and is configurable via the following command:

```
set comm idle <seconds>
```

3.2.3.5.2 Browser Disconnect Timer

This timer is used to recover from an unexpected situation in which the configuration Web Server on the RN module becomes unresponsive to the requests sent out by the web browser.

The web browser periodically sends requests to the configuration Web Server. If the RN module does not receive a request within 60 seconds, it assumes that the configuration Web Server has become unresponsive and it reboots itself into configuration Web Server mode. Then, the device must be reassociated with the RN module's Soft AP network and the web page must be refreshed.

WiFly Command Reference Manual

3.3 MAKING A CONNECTION TO THE RN MODULE

To connect to the RN module from a remote device, open an IP socket and connect to the RN module's IP address. Telnet can be used to test the connection by typing `open <address> <port>` in a Telnet window. After the connection is open, characters can be typed in the UART window and viewed in the Telnet window or vice versa.

EXAMPLE 3-1: OPEN A CONNECTION

```
open 10.20.20.62 2000 // Open the Host (see Figure 3-3)
```

To make a connection from the RN module the server application's IP address and port number must be known. A COM port redirector is a simple program that can be used to test this functionality. This software opens an IP port and transfers all data it receives to a specified COM port on a user's personal computer. A free COM port redirector program for Windows is available from Pira at: <http://www.pira.cz/eng/piracom.htm>.

In the COM port redirector program, note the IP address of the personal computer by typing the `ipconfig` command in the Microsoft Command Window. From the terminal emulator, place the RN module into Command mode, and then type the `open <address> <port>` command. The server reports that the connection is open and characters can be typed into the UART window and viewed on the server window or vice versa.

3.4 CONNECTING THE RN MODULE TO A REMOTE DEVICE

Some applications require the RN module to connect to a remote server, send data, and then disconnect automatically upon power-up (or wake-up). The RN module can be configured to perform this functionality automatically.

Set the network SSID and security, and set auto-join to '1'. When the RN module wakes up or is powered on, the auto-connect timer causes the RN module to attempt a connection to the stored remote IP address and port. The sleep timer does not decrement while this connection is open, and the idle timer does not decrement while data is flowing. When data stops for five seconds, the connection is closed, and the sleep timer places the RN module in Deep Sleep mode. The wake timer begins the cycle again one minute later.

EXAMPLE 3-2: AUTOMATIC CONNECTION

```
set ip host <address> // Set up the IP address of the
                        // remote machine's IP address
set ip remote_port <value> // Set up the IP port of the
                        // remote machine
set sys autoconn 1 // Automatically connect when ready
set com idle 5 // Disconnect after 5 seconds with no
                // data activity
set sys sleep 2 // Sleep 2 seconds after the
                // connection is closed
set sys wake 60 // Wake up after 1 minute of sleep
set uart mode 2 // Use UART data trigger mode, which
                // causes the RN module to make a
                // TCP/HTTP connection upon incoming
                // UART data
```

3.4.1 Controlling Connections using GPIO5 and GPIO6

The GPIO5 pin can be used to control the TCP connection. After configuring the pin with the `set sys iofunc` command, the RN module attempts to connect to the stored IP address and port when GPIO5 goes high and disconnects when GPIO5 goes low.

Similarly, the connection status can be monitored by reading the GPIO6 pin. When it goes high, the connection is open, and when it goes low, the connection is closed. Use the command `set sys iofunc` command to enable GPIO6.

EXAMPLE 3-3: USE GPIO5 AND GPIO6 TO CONTROL CONNECTIONS

```
set sys iofunc 0x20 // Enable GPIO5
set sys iofunc 0x40 // Enable GPIO6
```

3.4.2 Using DNS Settings

The RN module contains a built-in DNS client. If the IP address of the Host is not specified (i.e., it is set to 0.0.0.0), the RN module uses the DNS protocol. When the Host name is set using the `set dns name <string>` command, the RN module automatically attempts to resolve the Host address. When the address is resolved, the RN module automatically connects.

Use the `lookup <string>` command to manually look up a Host's IP address, where `<string>` is the host name.

EXAMPLE 3-4: USE DNS

```
set dns name my_server // Set the DNS Host name to my_server
```

3.4.3 Using the Back-up IP Address/Connect Function

The RN module contains a feature for auto-retry and redundancy. If the host's first IP address connection fails, the RN module uses the back-up IP (if set). If this fails (or is not set), the RN module uses the first DNS name. If this fails (or is not set), the RN module uses the back-up DNS name (if set).

EXAMPLE 3-5: SET THE BACK-UP IP ADDRESS

```
set ip backup <address> // Set the back-up IP address
```

EXAMPLE 3-6: SET THE BACK-UP DNS NAME

```
set dns backup <string> // Set the back-up Host name
```

WiFly Command Reference Manual

3.5 SENDING DATA TO A REMOTE HOST

3.5.1 Controlling Connections with GPIO Pins

In embedded applications it is useful to monitor and control the status of the TCP/IP connection. To monitor and control the RN module's connection status, enable the alternate function of GPIO4-GPIO6. Using the alternate function for these GPIO pins, the RN module connects to the stored remote Host IP address and port when GPIO5 is driven high, and disconnects when driven low. The TCP/IP connection status can be monitored by reading GPIO6; it is high when connected, and low when not connected.

To configure the RN module to connect using GPIO5 and GPIO6, use the following commands:

```
set ip host <address> // Set the IP address of the remote host
set ip remote <value> // Set the IP port of the remote host
set sys iofunc 0x70 // Set alternate function for GPIO4-GPIO6
save // Store configuration
reboot // Reboot the RN module
```

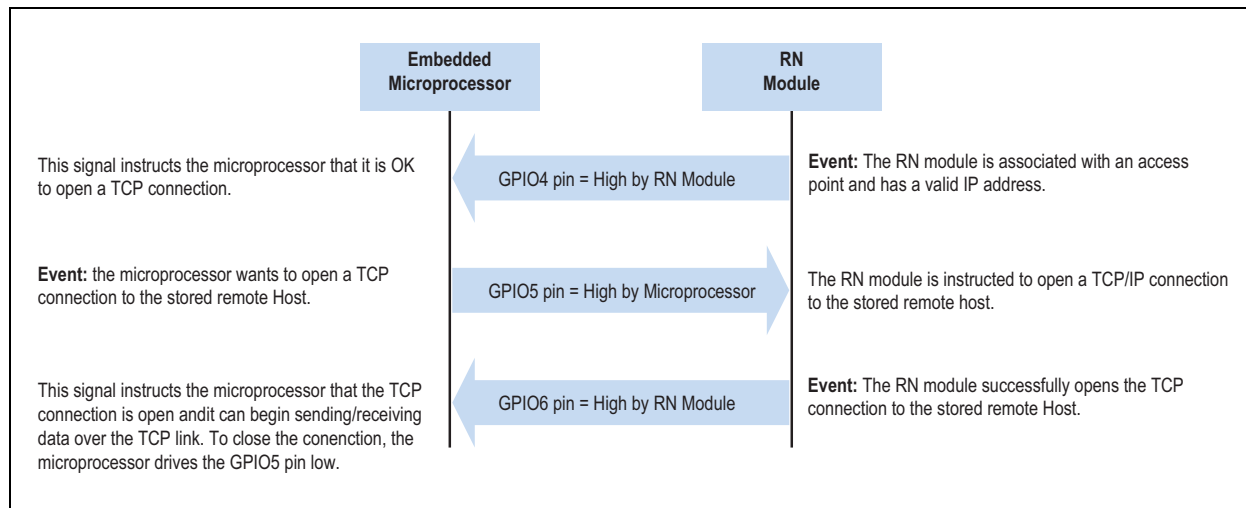
After executing these commands, run the application or other software on the remote Host that opens and listens on the specified port. Then, connect GPIO5 to the embedded processor or other control signal. When GPIO5 is driven high, the RN module attempts to connect. When GPIO5 is driven low, the connection is closed.

WARNING

Do not drive the GPIO pin with more than 3.3V DC or permanent damage to the RN module will occur.

If the connection to the remote Host is successful, GPIO6 goes high. If the `COMM_OPEN` and `REMOTE` strings are set, the UART displays `*OPEN*` and the remote Host displays `*HELLO*`. [Figure 3-10](#) shows the process of controlling connections with the GPIO pins.

FIGURE 3-10: CONTROLLING CONNECTIONS WITH THE GPIO PINS



3.5.2 System and Auto-Connect Timers

The RN module uses a Real-Time Clock (RTC) to generate timers. The RTC is active even when the RN module is asleep, allowing the RN module to be put to sleep and woken based on timer intervals.

The RN module has the following timers:

- Sleep timer

This timer is used to put the RN module to sleep. It is a 32-bit number, which corresponds to a maximum 1.19 million waking hours. The sleep timer is set with the `set sys sleep <value>` command, where `<value>` is a decimal number representing seconds.

- Wake timer

This timer is used to wake the RN module. It is a 22-bit number, which corresponds to a maximum sleep time of 1,165 hours. The wake timer is set with the `set sys wake <value>` command, where `<value>` is a decimal number representing seconds.

- Auto-connect timer

This timer is used to automatically open a TCP connection.

- Idle timer

This timer is used to automatically close a TCP connection.

The sleep and wake timers are responsible for putting the RN module to sleep and waking up the RN module. If the sleep timer is enabled, the RN module automatically goes into Deep Sleep Low-Power mode once the timer counts down to zero. The sleep timer is disabled if the RN module has an IP connection or is in Command mode.

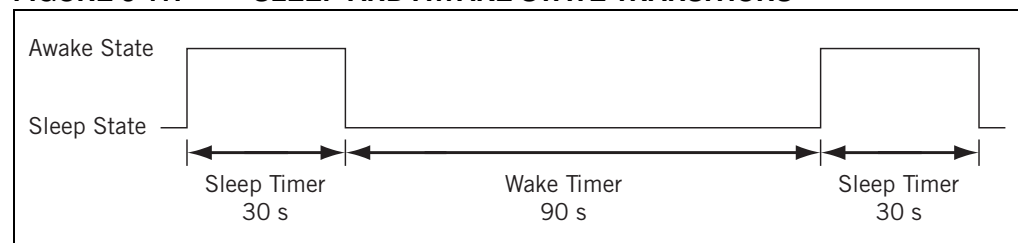
For example, to wake the RN module, join a network, and have the RN module available to accept TCP connections for 30 seconds every two minutes, the timers would be set, as shown in [Example 3-7](#).

EXAMPLE 3-7:

```
set wlan ssid my_net           // Set the Host name
set wlan passphrase my_pass    // Set the passphrase
set sys sleep 30               // Module sleeps after being awake
                               // for 30 seconds
set sys wake 90                // Module wakes after sleeping for
                               // 90 seconds
save                           // Save the settings
reboot                         // Reboot the RN module
```

[Figure 3-11](#) shows the transitions between the sleep and awake state based on the sleep and wake timer settings in the previous example.

FIGURE 3-11: SLEEP AND AWAKE STATE TRANSITIONS



WiFly Command Reference Manual

3.5.3 Using TCP To Send Data

After the RN module wakes, a TCP connection to a remote host can be opened in a number of ways, as described in [Table 3-16](#). The remote Host is set using the following commands:

```
set ip host <address>      // Sets the IP address of the Host
OR
set dns name <string>      // Sets the URL of the Host

set ip remote <value>      // Sets the port number on which the
                           // host is listening
save                        // Save the settings in the config file
reboot                      // Reboot the RN module so that the
                           // settings take effect
```

TABLE 3-16: METHODS OF CONNECTING TO A REMOTE HOST

Method	Type	Description
Auto connect	Internal RTC timer	Connect to the Host at specific time intervals based upon the <code>set sys autoconn <value></code> command setting.
Open	UART	In Command mode, issue the <code>open</code> command.
Connect on UART data	UART mode 2	This mode is designed for the HTML client feature. Use the <code>set uart mode 2</code> command to connect the to Host automatically when UART data is received.
GPIO5	Alternative GPIO functions	Set the alternative functions for GPIO4, GPIO5, and GPIO6, as described in Section 3.13.2.6 “Alternative GPIO4/GPIO5/GPIO6 Functions” . Set GPIO5 high to trigger a TCP connection, and low to disconnect.

3.5.3.1 TCP CONNECTION TIMERS

The TCP connection timers control when the RN module opens or closes a socket.

3.5.3.1.1 Opening a TCP Connection

In TCP Client mode, the auto-connect timer controls the establishment of a socket connection. When set, the device periodically attempts to establish a connection when the timer expires.

The `set sys autoconn <value>` command causes the RN module to connect to the Host periodically. The timer `<value>` determines how often to connect to the stored remote host. If set to '1', the RN module makes one attempt to auto-connect upon power-up. If set to '2' or higher, auto-connect reopens the connection after the connection is closed. The default value of '0' disables the timer.

Note: The remote Host's IP address and port number must be specified in the RN module's configuration file for the auto-connect timer to work.

3.5.3.1.2 Closing the TCP Connection

The RN module supports a disconnect timer in both TCP Client and Server mode (default mode). This timer can be used to close a TCP connection automatically after a specified number of seconds of no transmit or receive data. To set the disconnect timer, use the `set comm idle <value>` command, where `<value>` is the number of seconds. The default `comm idle` timer value is '0', which means the RN module never disconnects when idle.

For example, to close the TCP connection after 5 seconds of inactivity, use the `set comm idle 5` command.

3.5.4 Using UDP To Send Data

UDP is a connectionless protocol where there is no initial handshaking between the hosts to set up the UDP connection, and the receiver does not send an acknowledgment when it receives UDP packets. Therefore, UDP is an unreliable protocol because there is no guarantee that the data will be delivered correctly. However, because it is connectionless, UDP is suited for applications that cannot tolerate too much latency, but can tolerate some errors in the data, such as video transmission.

To use UDP with the RN module, the UDP protocol must be enabled using the `set ip proto 1` command. The remote host's IP address and the local and remote port number to be used for UDP communications must also be specified. [Example 3-8](#) and [Example 3-9](#) show the commands to enable UDP data transfer.

EXAMPLE 3-8: ASSOCIATE WITH A NETWORK

```
set wlan ssid <string> // Set the network name
set wlan phrase <string> // Set the passphrase for WPA & WPA2 modes
```

EXAMPLE 3-9: SET UP THE PROTOCOL AND PORT NUMBER

```
set ip proto 1 // Enable UDP as the protocol
set ip host <address> // Set the IP address of the remote Host
set ip remote <value> // Set the remote port on which the Host listens
set ip local <value> // Set the port number on which the RN module
// listens
save // Save the settings in the config file
reboot // Reboot the RN module
```

Note: Attempting to send data by typing characters on the keyboard or if the microcontroller is not sending data fast enough, the RN module sends out packets with fewer data bytes. To avoid this issue, set the flush timer to a higher value. By default, it is set to 10 ms. Forwarding can be disabled based on the flush timer (`set comm time 0`) or set it to a higher value (`set comm time 2000`).

Because UDP is a connectionless protocol, data begins flowing as soon as the RN module is rebooted. Unlike TCP, it is not necessary to send a `set comm open` command to establish the connection. The RN module acts like a data pipe where the UART data is sent over the Wi-Fi link via the UDP protocol (in this case) and the data coming from the Wi-Fi link (via UDP protocol in this case) is sent to the UART.

WiFly Command Reference Manual

3.5.4.1 UDP AUTO-PAIRING

With the UDP auto-pairing feature, the RN module temporarily stores the Host IP address of the first remote device that sends a UDP packet to the RN module. This Host IP address is stored in the RN module's RAM, which is cleared when the RN module sleeps or power cycles. This feature allows the RN module to echo to any client that sends a UDP packet.

EXAMPLE 3-10: TURN ON AUTO PAIRING

```
set ip host 0.0.0.0 // Set the IP Host to 0.0.0.0
set ip flags 0x40 // Set the IP flags to 0x40
```

3.5.4.2 UDP RETRY

This feature adds a level of reliability to the UDP protocol without adding the complete overhead of the TCP protocol. When enabled, the RN module waits for a response on every UDP packet that is sent (any UDP packet coming back in). If the RN module does not receive the response packet by approximately 250 ms, the same UDP packet is sent out. This process continues until either a UDP response is seen or a new UDP packet is sent from the RN module and is acknowledged.

Refer to “[set ip flags <mask>](#)” for information on the bit to set to enable this feature.

3.5.4.3 UDP BROADCAST

The RN module can be set up to generate UDP broadcast packets automatically, which is useful for the following reasons:

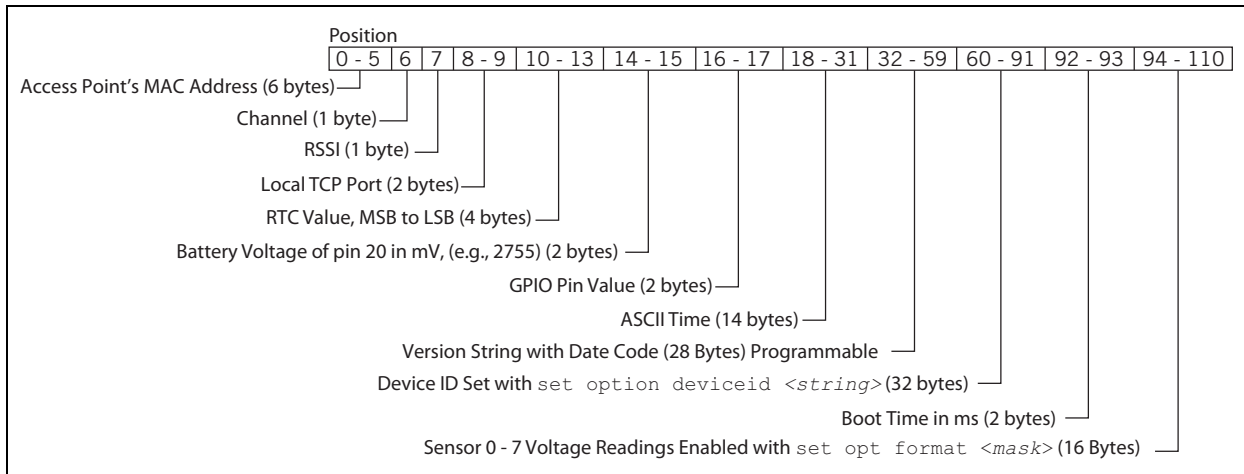
- Some access points disconnect devices that are idle. UDP broadcast informs the access point that the RN module is alive and wants to stay associated.
- Applications can use this feature to automatically discover and configure the RN module. If an application is listening for the UDP broadcast, a number of useful parameters are present in the package that can be used for auto-discovery. For example, the RN module's IP address and port number are part of the packet, thus an application can connect to the RN module and remotely configure it.
- The associated access point's MAC address, channel, and RSSI value are also available in this packet, enabling a simple location and tracking function.

By default, the RN module sends out a UDP broadcast to 255.255.255.255 on port 55555 at a programmable interval. The broadcast address, port, and interval are set using the `set broadcast` commands.

Note: The RN module's sensor data out can be sent via UDP broadcast. The analog-to-digital converter is 14 bits on a 400 mV signal, which translates to about 24 microvolts (0x61A80 in hex). Using the `show q` command in Command mode, the RN module displays the raw readings. However, for HTTP web posting and UDP broadcast packets, the RN module shifts the reading by four bits (which is a divide by 16) resulting in a 16-bit number. Therefore, to obtain the actual voltage sampled, the 16-bit number must be shifted left by four bits to get the number of microvolts. If the value in millivolts is known (and high accuracy is not needed), right shift by another six bits, which is the same as dividing by approximately 1K.

The packet is 110 bytes of data, as shown in [Figure 3-12](#).

FIGURE 3-12: UDP BROADCAST PACKET BYTE FORMAT



Note: To add sensor data to the UDP broadcast message, the sensors must be enabled using the sensor mask. The `set q sensor 0xff` command enables all sensors.

3.5.4.4 UDP SLEEP AND CONNECTION TIMERS

In UDP Only Protocol mode (set with the `set ip proto 1` command), the auto-connect timer is used as an auto-sleep timer. When the RN module begins to transmit the first UDP data packet, this timer begins counting down. When it reaches zero, the RN module sleeps.

The UDP auto-sleep timer can be set using two commands: `set sys autosleep` and `set comm timer`. The timer interval is a product of the auto-sleep value and the communication flush timer (in ms). The timer is decremented every “product” millisecond.

For example, for a UDP sleep timer of 40 ms, use the following commands:

```
set sys autosleep 4 // Set auto-sleep value to 4
set comm timer 10 // Set comm timer to 10 ms (default value)
```

The resulting UDP sleep timer is four times 10 ms or 40 ms. To achieve the same effect, `set autosleep = 2` and `comm timer = 20`.

Note: It is recommended to use a minimum value of 2 (when the default flush time is 10 ms) to ensure that the UDP packet is transmitted. For larger packets, the value should be increased.

WiFly Command Reference Manual

3.6 USING THE HTML CLIENT FEATURE

The RN module has a built-in HTML client. When enabled, the RN module can get or post data to a Web Server. For example, the HTML client can be used to post serial and/or sensor data to the host Web Server. This feature makes it possible to provide Wi-Fi capabilities to applications such as GPS units, remote sensors, and weather stations, among others.

3.6.1 Retrieve Web Server Data

In this example, data is retrieved from the Web Server with the format:

```
http://www.webserver.com/ob.php?obvar=WEATHER
```

To perform this function, use the following settings:

```
set ip proto 18 // Enable the HTML client
set dns name www.webserver.com // Set the Web Server name
set ip address 0 // Turn on DNS
set ip remote 80 // Set the Web Server port,
// 80 is standard
set com remote 0 // Turn off the REMOTE string so
// that it does not interfere with
// the post
```

To make the connection, use the `open` command or use `open www.webserver.com 80`. The user's microprocessor writes the following string to the UART:

```
GET /ob.php?obvar=WEATHER \n\n
```

Where the `\n` is the line feed character (decimal 10 or hex 0xA). Two line feeds are required for the Web Server to know that the page is complete.

Note: Some Web Servers require a carriage return and a line feed to indicate the page is complete. In this case, use `\r\n` at the end of the string instead of `\n\n`.

3.6.2 Built-In HTML Client Modes

The RN module can be set up to post data to and get data from a Web Server automatically without an external host CPU. These advanced web features are enabled using the `set opt format <flag>` command, where `<flag>` represents a bit-mapped register. Refer to “[set opt format <flag>](#)” for the bit function descriptions. [Table 3-17](#) describes the wake reason values.

TABLE 3-17: WAKE REASON VALUES

Value	Wake Reason
0	Undefined
1	Power on or hardware reset (battery install or power-up)
2	Sleep (wake when the sleep timer is expired)
3	Sensor
4	Undefined
5	Undefined
6	Software reboot
7	Watchdog

EXAMPLE 3-11: HTML CLIENT MODES

```
set option format 1 // Automatically send HTML data header
set option format 7 // Append sensor data in ASCII hex format
set option format 11 // Append all key value pairs to the sensor data
```

3.6.3 Connect to a Web Server Automatically

The RN module can be configured to post data to a Web Server automatically using the `set sys auto <value>` command, where `<value>` is a decimal number representing seconds. For example, the RN module can be configured to connect to the Web Server every 10 seconds with the `set sys auto 10` command.

When HTTP mode is set, the RN module automatically appends two line feeds (`\n\n`) to the end of the packet.

Note: If the HTML header contains spaces, the dollar sign (`$`) character must be used to indicate spaces in the string (a space is the command delimiter). When the RN module's command parser sees the `$`, it converts it to a space character.

As shown in the example, use the following commands to configure the RN module to connect to a Web Server every 30 seconds.

EXAMPLE 3-12: CONNECT TO WEB SERVER EVERY 30 SECONDS

```
set com remote GET$/ob.php?obvar=WEATHER // Set up the HTML string
set sys auto 30 // Auto-connect every 30 seconds.
set option format 1 // Send header automatically when the
// connection is open
set ip proto 18 // Turn on HTTP mode = 0x10 + TCP mode = 0x2
```

3.6.4 Connect to a Web Server Automatically when UART Data Is Received

The RN module supports a mode in which it can connect to the Web Server when it receives UART data.

Note: When attempting to send data by typing characters on the keyboard or if the microcontroller is not sending data fast enough, the RN module sends out small packets of data (it sends out many packets of small MTU size). To avoid this issue, set the flush timer to a higher value, such as `set comm time 5000`. By default, it is set to 10 ms.

EXAMPLE 3-13: CONNECT TO WEB SERVER WHEN UART DATA IS RECEIVED

```
set ip proto 18 // Turn on HTTP mode = 0x10
// and TCP mode = 0x2
set dns name www.webserver.com // Set the Web Server name
set ip host 0 // Turn on DNS
set ip remote 80 // Set the Web server port,
// 80 is standard
set com remote GET$/userprog.php?DATA= // Sample server application
set uart mode 2 // Automatically connect
// using data trigger mode
```

When the serial UART data comes in after issuing the commands shown in [Example 3-13](#), the RN module automatically connects to the Web Server, and sends:

```
GET /userprog.php?DATA= <users serial data> \n\n
```

WiFly Command Reference Manual

3.6.5 Post Binary Data

Web Servers expect ASCII data. If the user data is binary, the RN module can convert the data to ASCII format before sending it to the Web Server.

EXAMPLE 3-14: CONVERT DATA FROM BINARY TO ASCII

```
set ip proto 18 // Turn on HTTP mode = 0x10
// and TCP mode = 0x2
set dns name www.webserver.com // Set the Web server name
set ip host 0 // Turn on DNS
set ip remote 80 // Set the Web server port,
// 80 is standard
set com remote GET$/userprog.php?DATA= // Sample server application
set option format 1 // Convert binary data to
// ASCII hex format
```

If the incoming UART data is six bytes of binary data with hex values 0x01, 0xAB, 0x03, 0xFF, 0x05, and 0x06, the RN module sends this string to the Web Server:

```
GET /userprog.php?DATA=01AB03FF0506\n\n
```

3.6.6 Post Sensor Data Automatically

The RN module can send the value of the GPIO and sensor pins to the Web Server automatically. The data arrives as 18 bytes of ASCII hex data in the format:

```
<2 bytes GPIO><channel 0 through 7 sensor data>.
```

Note: The analog-to-digital converter is 14 bits on a 400 mV signal 400, which translates to about 24 microvolts (0x61A80 in hex). When the `show q` command is used in Command mode, the RN module displays the raw readings. However, for HTTP web posting and UDP broadcast packets, the RN module shifts the reading by four bits (which is a divide by 16) resulting in a 16-bit number. Therefore, to obtain the actual voltage sampled, the 16-bit number must be shifted left by four bits to get the number of microvolts. If the value in millivolts is known and high accuracy is not needed, right shift the number by another six bits, which is the same as dividing by approximately 1K.

EXAMPLE 3-15: POST SENSOR DATA TO WEB SERVER

```
set ip proto 18 // Turn on HTTP mode = 0x10
// and TCP mode = 0x2
set dns name www.webserver.com // Set the Web server name
set ip host 0 // Turn on DNS
set ip remote 80 // Set the Web server port,
// 80 is standard
set com remote GET$/userprog.php?DATA= // Sample server application
set q sensor 0xff // Module samples all eight
// sensor channels
set sys auto 30 // Connect every 30 seconds
set option format 7 // Send the header plus the
// sampled binary data
// converted to ASCII format
```

The resulting string sent to the server is:

```
GET /userprog.php?DATA=0F3000001111222233334444555566667777\n\n
```

The data format for this example is:

2 Bytes GPIO	Channel							
	0	1	2	3	4	5	6	7
0F30	0000	1111	2222	3333	4444	5555	6666	7777

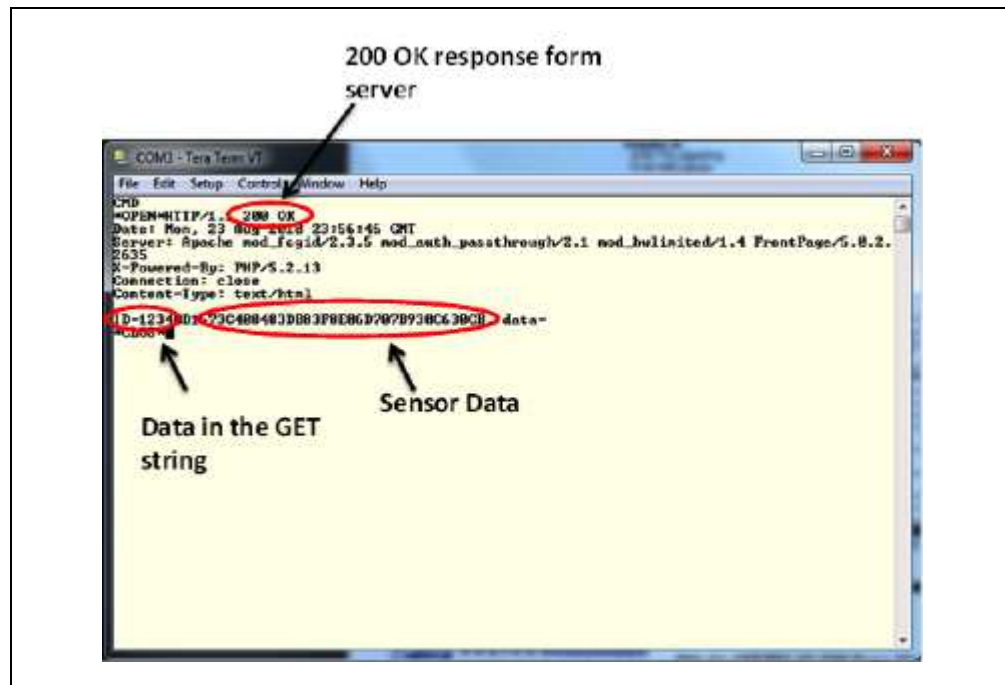
3.6.7 HTML Client Example: Posting Sensor Data Automatically

In this example, the RN module connects to the Web Server at the URL, `www.rovingnetworks.com/server.php?value=`, and posts the sensor data to the Web Server every 60 seconds. Set the network connections as previously described, and set the following additional parameters.

```
set ip proto 18 // Turn on HTTP mode = 0x10
// and TCP mode = 0x2
set dns name www.rovingnetworks.com // Set the Web Server name
set ip host 0 // Turn on DNS
set ip remote 80 // Set the Web server port,
// 80 is standard
set com remote GET$/server3.php?value= // Set up the server
// application string
set sys auto 10 // Automatically connect every 10 seconds
set option format 7 // Send the header and sampled binary
// data converted to ASCII
set q sensor 0xFF // Set the sensor mask to sample all channels
save // Save the configuration to the config file
reboot // Reboot so that the settings take effect
```

After issuing these commands, the Web Server returns a 200 OK message, as shown in [Figure 3-13](#).

FIGURE 3-13: SERVER RESPONSE



WiFly Command Reference Manual

3.6.8 HTML Client Example: Posting UART Data to a Web Server

The RN module can post serial UART data in ASCII or binary format automatically. In this example, when the serial UART data comes in, the RN module connects and sends data to the Web Server in the following format:

```
GET /server.php?value=<user serial data> \n\n
```

Use the following commands to set the parameters:

```
set ip proto 18 // Turn on HTTP mode = 0x10
// and TCP mode = 0x2
set dns name www.rovingnetworks.com // Set the Web Server name
set ip host 0 // Turn on DNS
set ip remote 80 // Set the Web Server port,
// 80 is standard
set com remote GET$/server3.php?value= // Set up the server
// application string

set sys auto 10 // Automatically connect every
// 10 seconds
set option format 1 // Send a HTML header
set uart mode 2 // Connect automatically using data trigger mode
save // Save the configuration to the config file
reboot // Reboot so that the settings take effect
```

With these settings enabled, the RN module connects to the Web Server every time it receives data on the RX line. Serial data is sent to the host Web Server according to the flush timer and the flush size.

Note: The sampled sensor data cannot be appended to the UART data. Enabling option format 7 with set uart mode 2 results in erroneous data.

3.7 FTP CLIENT FEATURES

In addition to downloading firmware via FTP, the RN module can “get” and “put” files to an FTP server.

3.7.1 Connect to an FTP Server

By default, the RN module is configured to download the latest firmware from the Microchip FTP server. To configure the RN module to connect to another FTP server, the parameters must be adjusted, as described in [Example 3-16](#).

EXAMPLE 3-16: CONNECT TO AN FTP SERVER

```
set ftp address <address> // Set the IP address of the FTP server.
                          // The default is 208.109.78.34.
set ftp dir <string>      // Set the directory of the FTP server.
                          // The default is public.
set ftp user <string>     // Set the user name
set ftp pass <string>    // Set the password
save                      // Save the settings
reboot                    // Reboot the RN module
```

Note: This example assumes that the FTP server is already set up and configured correctly and that the RN module is already configured to associate with a wireless network.

3.7.2 Creating Files on the FTP Server

Once the RN module is configured to connect to the FTP server, it can create files on the FTP server. To create a file, use the `ftp put <filename>` command, where `<filename>` is up to 64 bytes in length. This command creates a file on the FTP server with the name specified in `<filename>` and prints the open string on the UART. By default, the open string is `*OPEN*`. After `*OPEN*` appears on the UART, data can be written to the file.

There are two options to close the file:

- Send the close string, which is `*CLOS*` by default, or
- Use the FTP close timer with the command `set ftp timer <value>`. Once writing to the file is complete, this timer begins counting down and closes the file when the timer reaches zero. The timer is one-eighth of `<value>`. For example, to set a five second timer, the command would be: `set ftp timer 40`.

The `open` and `close` strings are configurable using the following commands:

- `set comm open<string>` // Set the open string
- `set comm close<string>` // Set the close string

EXAMPLE 3-17: PUT FILE ON FTP SERVER

```
ftp put demo.txt // Upload the file demo.txt
set ftp timer 40 // Close the connection 5 seconds after the
                // file uploads
```

WiFly Command Reference Manual

3.7.3 Retrieving Files from the FTP Server

The RN module can retrieve files from the FTP server. The retrieved file is not stored in the RN module's Flash memory. Instead, the RN module acts as a transporter and passes the file over the UART interface as the file is being transferred.

To retrieve a file from the FTP server, issue the `ftp get <filename>` command. The RN module prints the open string on the UART and the file begins transferring from the FTP server to the RN module. When the file transfer is complete, the RN module prints the close string indicating the file was transferred and the FTP connection was closed.

EXAMPLE 3-18: RETRIEVE FILE FROM FTP SERVER

```
ftp get demo.txt // Download the file demo.txt from the FTP server
```

3.8 PUTTING THE RN MODULE TO SLEEP AND WAKING IT

Table 3-18 describes the methods for putting the RN module to sleep.

TABLE 3-18: METHODS FOR PUTTING THE RN MODULE TO SLEEP

Method	Interface	Description
Sleep Command	UART	Enter into Command mode using \$\$\$ and issue the <code>sleep</code> command.
Sleep Timer	Internal RTC	The RN module sleeps based on the <code>set sys sleep <value></code> command setting.
Drive GPIO8 high	GPIO8	The RN module sleeps as soon as GPIO8 is held high (4 μ s latency). To enable this feature, use the <code>set sys trigger 0x20</code> command setting.

Table 3-19 describes the methods for waking the RN module.

TABLE 3-19: METHODS FOR WAKING THE RN MODULE

Method	Interface	Description
Sensor Input (1.2V DC only)	Sensor pins	Wake the RN module using sensor pins 0-3 (1.2V DC ONLY). Use the <code>set sys trigger <value></code> command to enable the sensors.
RX pin (3.3V DC only)	RX pin via sensor 0	The RX pin on the RN134 and the RN174 evaluation boards is tied to sensor pin 0 via a resistor divider network. Use the <code>set sys trigger 1</code> command to wake the RN module when it receives RX data. Note: With this method, the RN module may drop the first UART data byte. A better method is to wake the RN module using the CTS pin.
CTS pin (3.3V DC only)	CTS pin via sensor 1	The CTS pin on the RN134 and the RN174 evaluation boards is tied to sensor pin 1 via a resistor divider network. Use the <code>set sys trigger 2</code> command to wake the RN module using the CTS pin.
Wake Timer	Internal RTC	The wake timer wakes the RN module based on the <code>set sys wake <value></code> command setting.
Force Awake	FORCE AWAKE pin	An input pulse of at least 31 μ s (3.3V) wakes the RN module.

3.8.1 Determining When the RN Module is Ready to Accept Data

When the RN module wakes up from sleep, it takes time (in milliseconds) to initialize the internal hardware. During this time, any data that is sent to the RN module over the UART is not processed. Signals that indicate the RN module is ready to accept data can be monitored, as described in Table 3-20.

TABLE 3-20: SIGNALS INDICATING THE RN MODULE CAN ACCEPT DATA

Method	Interface	Description
RTS Transition	RTS pin	When the RN module wakes up, the RTS pin goes high. Once the RN module is ready, the RTS pin is driven low. This pin can be monitored with a microcontroller.
Monitor GPIO4	Alternative GPIO functions	Set the alternative functions for GPIO4, GPIO5, and GPIO6 (see Section 3.13.2.6 “Alternative GPIO4/GPIO5/GPIO6 Functions”). When the RN module wakes up and connects to an access point, GPIO4 goes high, indicating the RN module is ready to receive data over the UART. A microcontroller can monitor GPIO4.
Sensor Power	Sensor power pin	The RN module can be configured to output VBAT, or 3.3V or 1.2V on the sensor power pin when it wakes from sleep, indicating it is ready to accept data.

3.8.2 Wake On Sensor Input

Four sensor input pins (SENSE0 through SENSE3) wake the RN module from sleep. These pins have a small current source that is activated in Sleep mode. This source is approximately 100 nA, and causes the input to float up to approximately 1.2V DC. If, for example, SENSE1 is enabled, pulling the SENSE1 pin to ground wakes the RN module.

To enable the sensors to wake the RN module, use the command `set sys trigger <mask>`, where `<mask>` is a bit-mapped setting of each sensor. For example, to wake the RN module using sensor pin 2, use the command `set sys trig 4`. Setting the trigger value to '0' disables all sensor pins.

Table 3-21 describes the values to wake the RN module using individual sensor inputs.

TABLE 3-21: SENSOR INPUT VALUES

Wake on Sensor Input	Value	Command
0	1	<code>set sys trigger 1</code>
1	2	<code>set sys trigger 2</code>
2	4	<code>set sys trigger 4</code>
3	8	<code>set sys trigger 8</code>

WARNING

The voltage on any sensor input CANNOT exceed 1.2V DC or the RN module will be permanently damaged.

The sensor inputs are rated 1.2V DC, maximum. A resistor divider must be used when driving a sensor pin from the other 3V pins such as RX. Use a resistor divider network with a minimum of 24K in series and 10K to ground from the UART RX or CTS pin.

An open-drain FET is an appropriate device to tie to the sensor pin as the threshold is approximately 500 mV. Additional pull-ups up to 1.2V DC can be used if the circuit has an impedance (due to leakage current) of less than 5 M Ω (500 mv/100 nA). Leave unused sensor pins disconnected.

3.8.3 Wake on UART Activity

When the RN module is in Sleep mode, the UART is disabled. However, the RN module can wake on UART activity by connecting the sensor pins to the RX data or CTS pin (using the appropriate divider resistors as described in [Section 3.8.2 "Wake On Sensor Input"](#)).

The RN134 and the RN174 evaluation boards have a built-in resistor divider connecting SENSE0 and SENSE1 to RXD and CTS, respectively. This setup allows wake on RX and CTS using a 3.3V signal.

WARNING

Do not apply 3.3V directly to SENSE0 and SENSE1; the voltage on any sensor input CANNOT exceed 1.2V DC or the RN module will be permanently damaged.

To enable wake on RXD, use the command `set sys trig 1`.

The first byte (or possibly multiple bytes) sent to the RN module will likely be lost; therefore, care must be taken to send a preamble byte to wake the RN module before sending valid data bytes. Alternatively, use the CTS input to wake the RN module and wait until it is ready to accept data. To enable this setting, use the command `set sys trig 2`.

3.8.3.1 UART RECEIVER AND RTS/CTS HARDWARE FLOW CONTROL

The UART receive buffer is approximately 1,500 bytes. At lower baud rates (less than 115K), the system can send data over TCP/IP without flow control.

Depending on the frequency and quantity of the data being sent, the `comm` parameters optimize Wi-Fi performance by specifying when the system sends IP packets. To minimize latency and TCP/IP overhead, use the flush size or match character to send data in a single IP packet. In most cases, set the flush timer to a large number to avoid fragmentation. For high throughput, increase the UART baud rate, set the flush size to 1,460, and set the flush timer to a large value so that full IP packets are sent.

Control packet forwarding can be controlled in the following ways:

- `set comm match <value>` sets the value of the packet terminator. Each time the RN module sees the match character it sends an IP packet. For example, `set comm match 0xD` forwards a packet when the RN module sees a 0xD hex character.
- `set comm size <value>` sets the flush size, where `<value>` is the number of bytes received before forwarding. The maximum is 1,460 bytes, which is the size of a single Ethernet frame.
- `set comm time <value>` sets the flush timer, which is used to flush any partial data sitting in the RX buffer if no additional data is received for `<value>` ms. For example, the `set comm time 1000` command causes the RN module to wait for 1 second after no data was sent.

If the RN module will be sending more than a few hundred thousand bytes in a single transaction, hardware flow control should be enabled. The hardware must actively monitor the CTS pin. Flow control is not enabled by default and is set with the `set uart flow 1` command.

It is possible to operate higher baud rates (i.e., greater than 115K) without flow control if the packets are uniform and an application protocol is used to ensure that the packet data is delivered on the remote side before the next packet is sent. However, given the uncertainty of packet delays in a TCP/IP network and the effects of interference and retries inherent in wireless networks, flow control is typically required whenever large, contiguous quantities of data are being written to the UART to ensure no data is lost.

WiFly Command Reference Manual

3.9 GPIO FUNCTIONS

This section provides information on GPIO functions.

3.9.1 Setting GPIO Direction, Alternate Functions, and Disabling LEDs

The GPIO pin direction and function are controlled using these two commands:

```
set sys mask
set sys iofunc
```

3.9.1.1 CONTROL GPIO DIRECTION WITH SET SYS MASK

The GPIO pin direction can be controlled with the GPIO mask using the `set sys mask <value>` command, where `<value>` is entered as a hex number. The hex number represents a bitmask that controls each pin, where 1 = output and 0 = input. For example:

```
set sys mask 0x0          // Sets all pins as inputs
set sys mask 0xc0        // Set only GPIO6 and GPIO7
```

To set only one bit in the mask, it is necessary to read, mask, and set the value. Otherwise, any previous GPIO settings will be overwritten.

The default mask for the RN131 module is 0x20F0, which sets GPIO13, GPIO7, GPIO6, GPIO5, and GPIO4 as outputs.

The default mask for the RN171/RN1723 module is 0x21F0, which corresponds to the following settings:

- GPIO0-GPIO3 are used internally on the RN module
- GPIO4-GPIO6 are LEDs
- GPIO9 is reserved as the factory reset/Soft AP mode (read at power-up) and otherwise general purpose input detect pin
- GPIO10-GPIO11 are the UART RX and TX pins; TX does not need to be masked as an output
- GPIO12 is CTS (input), if used
- GPIO13 is RTS (output), if used

Note: To set the GPIO pins as inputs or outputs instantly, use the `set sys mask 0xABCD 1` command, which does not require a reboot.

The RN134 evaluation board's LEDs are connected to GPIO4-GPIO6. To disable the LEDs, enable the alternative functions of the LEDs (use the `set sys iofunc 0x7` command).

Note: It is possible to turn OFF the yellow, red, or green LEDs. However, the blue LED on the RN134 evaluation board serves as the power indicator and cannot be turned OFF.

The blue LED on the RN174 evaluation board is connected to GPIO7, which is output by default. The board does not drive this LED because the default power-up state of GPIO7 is low.

The `get sys` command shows the setting of the GPIO mask, as shown in [Example 3-19](#).

EXAMPLE 3-19: GPIO MASK SETTING

```
<2.21> get sys
SleepTmr=.....
IoFunc=0x0
IoMask=0x21f0
```


Features and Settings

Figure 3-14 shows the bits corresponding to the GPIO pins and Table 3-22 shows the GPIO pin usage, their default state, and functionality.

FIGURE 3-14: GPIO PIN BITMASK

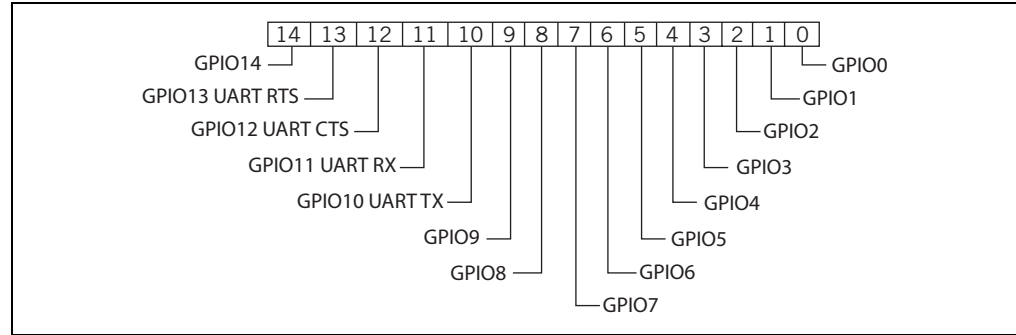


TABLE 3-22: GPIO PIN USAGE, DEFAULT STATE, AND FUNCTIONALITY

Bit	Signal Name	RN131 Default State	RN171/RN1723 Default State	Default Function
0	GPIO0	N/A	N/A	Not used by RN modules, but can be used as a sensor input.
1	GPIO1	N/A	Input	Not used by RN modules, but can be used as a sensor input.
2	GPIO2	N/A	Input	Not used by RN modules, but can be used as a sensor input.
3	GPIO3	N/A	Input	Not used by RN modules, but can be used as a sensor input.
4	GPIO4	Output	Output	Green LED
5	GPIO5	Output	Output	Yellow LED
6	GPIO6	Output	Output	Red LED
7	GPIO7	Output	Output	Blue LED ⁽¹⁾
8	GPIO8	Input	Output	This pin can be used to place the RN module into sleep mode.
9	GPIO9	Input	Input	Soft AP/Multi-purpose GPIO ⁽²⁾
10	GPIO10	Output	Output	UART TX
11	GPIO11	Input	Input	UART RX
12	GPIO12	Input	Input	Throttles the transmitter if hardware flow control is enabled. Driving this pin low enables transmitter; driving this pin high disables it.
13	GPIO13	Output	Output	This pin goes high on power-up and goes low when the system is ready. If hardware flow control is enabled, this pin toggles to high to indicate the RX buffer is full.
14	GPIO14	N/A	Input	Not used by RN modules, but can be used as a sensor input.

Note 1: On the RN174 evaluation board, the blue LED is connected to GPIO7. The blue LED is not connected to GPIO7 on the RN134 evaluation board. It is not possible to power off the blue LED on the RN134 evaluation board because it is connected directly to power.

2: The GPIO9 pin can be used for factory Reset, Soft AP mode, or Web Config mode.

WiFly Command Reference Manual

3.9.1.2 SETTING THE ALTERNATE GPIO FUNCTIONS

The default functionality of GPIO4, GPIO5, and GPIO6 is to control the LEDs. The default can be overridden to allow user programmable I/O or alternate I/O functionality by using the `set sys iofunc <mask>` command, where `<mask>` is entered as a hex number. The hex value represents a bitmask that controls each bit in the `<mask>` and represents a particular GPIO pin. If a bit is '0', the corresponding GPIO pin is driven/read by the firmware per the default function. The I/O function `<mask>` is encoded, as shown in [Table 3-23](#).

TABLE 3-23: GPIO PIN ALTERNATE FUNCTION BITMASK

Bit ⁽¹⁾	Signal Name	Direction	Function
0	GPIO4	Output	Disable the LED function so the I/O can be used as a GPIO pin.
1	GPIO5	Output	Disable the LED function so the I/O can be used as a GPIO pin.
2	GPIO6	Output	Disable the LED function so the I/O can be used as a GPIO pin.
3	Unused	—	—
4	GPIO4	Output	This pin goes high after the RN module has associated/authenticated and has an IP address.
5	GPIO5	Input	Set this pin high to trigger a TCP connection and low to disconnect.
6	GPIO6	Output	This pin goes high when the RN module is connected over TCP and low when disconnected.

Note 1: Bits 0-3 are mutually exclusive with bits 4-6 (i.e., 0x77 is an illegal value).

If the LEDs are disabled using bits 0, 1, and 2, the `show i` command can be used to read these GPIO pins. For example, the `show i` command might return `Port=30`.

To use the alternate LEDs functions, use the following commands:

```
set sys iofunc 0x70 // Enable alternate function for GPIO4-GPIO6
save // Store configuration
reboot // Reboot the RN module
```

[Example 3-20](#) shows how to control the LEDs on the evaluation boards.

EXAMPLE 3-20: TOGGLE RED AND GREEN LEDs

```
Green LED:
set sys iofunc 0x01 // Mask GPIO4 from WiFly functionality
set sys output 0x10 // Toggle the state of GPIO4

Red LED:
set sys iofunc 0x04 // Mask GPIO6 from WiFly functionality
set sys output 0x40 // Toggle the state of GPIO6

Green and Red LEDs:
set sys iofunc 0x05 // Mask GPIO4 and GPIO6 from WiFly
// functionality
set sys output 0x50 // Toggle the state of GPIO 4 and GPIO6
```

3.10 SETTING DEBUG PRINT LEVELS

The print functions can be enabled to assist with debugging the operation and status of the RN module. The `set sys printlvl <value>` command controls these additional print functions, where `<value>` is a bit-mapped register that controls which printout messages are sent to the UART. See “[set sys printlvl <value>](#)” for more information.

3.10.1 Scan Output Format

The scan output format shown in the following example can be enabled using the `set sys printlvl 0x4000` command.

Index	Channel	RSSI	Security Mode	Capabilities	WPA Configuration	WPS Mode	MAC Address	SSID
-------	---------	------	---------------	--------------	-------------------	----------	-------------	------

Where:

Field	Value
Index	2 character, decimal
Channel	2 character, decimal
RSSI	2 character, decimal (negative number)
Security mode	2 bytes (see Table 3-24)
Capabilities	Bit-mapped 4 hex bytes (see Table 3-25)
WPA Configuration	Bit-mapped 2 hex bytes (see Table 3-26)
WPS Mode	Bit-mapped 2 hex bytes (see Table 3-24)
MAC address	Address
SSID	Up to 32 characters

Note: The string `END` is added at the end of the scan data.

[Table 3-24](#) shows the security modes.

TABLE 3-24: SECURITY MODES

Number	Description
0	OPEN
1	WEP (64 or 128)
2	WPA1
3	MIXED
4	WPA2
5	Enterprise WEP
6	Enterprise WPA1
7	Enterprise WPA mixed
8	Enterprise WPA2
9	Enterprise NO security

[Table 3-25](#) describes the capabilities bit mask values.

TABLE 3-25: CAPABILITIES BIT MASK VALUES

Bit Mask Value	Description
0004	Short slot time
0100	ESS (Infrastructure mode)
1000	Privacy (secure with WEP or WPA)
2000	Short preamble

WiFly Command Reference Manual

Table 3-26 describes the WPA bit mask values.

TABLE 3-26: WPA BIT MASK VALUES

Bit Mask Value	Description
04	WPA_UNICAST_TKIP
08	WPA_UNICAST_AES_CCMP
10	WPA_BROADCAST_TKIP
20	WPA_BROADCAST_AES_CCMP

Table 3-27 describes the WPS bit mask values.

TABLE 3-27: WPS BIT MASK VALUES

Bit Mask Value	Description
02	WPS_PushButton_ACTIVE
40	WPS_SUPPORTED
80	WPS_PushButton_SUPPORTED

3.10.2 UART Heartbeat Messages

The RN module can output UART heartbeat messages. The bit-mapped message is output periodically while the RN module is in Data mode and not connected to a remote Host. Messages are not output while in Command mode. The heartbeat message encodes the RN module's state for the embedded microprocessor. Based on the heartbeat message, the microprocessor can choose to change the configuration by going into Command mode.

To enable the UART heartbeat messages, use the `set sys printlvl 0x10` command. The output of this mode is: `*8b30*8b30*8b30...`

Note: For Soft AP mode, the UART heartbeat message reflects the number of client devices associated with the RN module. In this case, the number 8 in the output is incremented according to the number of devices currently associated to the Soft AP network.

For example:

- *81xx indicates no associated client devices,
- *91xx indicates one associated client device, and
- *a1xx indicates two associated client devices, etc.

Table 3-28 shows the output bit format.

TABLE 3-28: OUTPUT BIT FORMAT

Bit	15...14	13...12	11...8	7...6	5	4	3...0
Function	Fixed	Reserved	Channel	Reserved	Authentication	Association	TCP status
Value	2 = Soft AP mode	Unused	0-13	Unused	1 = OK	1 = OK	0 = Idle 1 = Connected 3 = No IP 4 = Connecting 5 = Challenge for password

3.11 USING THE REAL-TIME CLOCK FUNCTION

The RN module's real-time clock keeps track of the number of seconds since the RN module was powered on and the actual time when the RN module synchronized with the SNTP time server. By default, the RN module keeps track of up-time but does not synchronize with the time server because this synchronization requires the RN module to be associated with a network that can access the SNTP server. The real-time clock reads the time in seconds since 1970, which corresponds to the UNIX time.

The RTC value in seconds can be set using the `set time rtc <value>` command.

The default SNTP server is:

```
ADDR=129.6.15.28:123
ZONE=7 (GMT -7)
```

Use the `show time` command to see the current time and up-time, as follows:

```
<2.23> show t
Time=08:43:10
UpTime=10 s
```

To set the time, use the `time` command:

```
<2.23> show t
Time NOT SET
UpTime=8 s
<2.23> time
<2.23> show t
Time=08:51:31
UpTime=15 s
```

Note: The RN module must be associated with a network for the RN module to contact the SNTP server.

The RN module can also be configured to get the time whenever it powers up using the `set time enable 1` command. If `time enable` is set to a value greater than '1', the RN module pulls the time continuously every `<value>` minutes.

To configure the RN module to get time upon power-up, see the following example:

```
<2.23> set time enable 1
AOK
<2.23> get time
ENA=1
ADDR=129.6.15.28:123
ZONE=7
```

To view a complete listing of the time variable, use the following command:

```
<2.23> show t t
Time=09:02:10
UpTime=653 s
RTC=1293567548
Restarts=1
Wake=6
RAW=2345ab
```

Note: The RAW value is the 64-bit hex RAW value of the RTC, which counts at 32,768 Hz.

WiFly Command Reference Manual

3.12 TIME STAMPING PACKETS

The time stamping feature can be used to append 8 bytes to a TCP or UDP packet automatically. The `set ip flags 0x87` command enables the time stamp and keeps other default settings). The time stamp bits from MSB to LSB are as follows:

User's TCP or UDP packet data	63...56	55...48	47...40	39...32	31...24	23...16	15...8	7...0
-------------------------------	---------	---------	---------	---------	---------	---------	--------	-------

The eight bytes represents the 64-bit raw value of the real-time clock register. The data is appended before calculating the TCP checksum so that the data passes through the TCP stack correctly. This register counts at 32,768 Hz. If the timeserver function is enabled, the RTC should accurately reflect the real time. This register also counts when the RN module is in Sleep mode.

3.13 SOFT ACCESS POINT (SOFT AP) MODE

Note: Depending on the firmware version, Soft AP mode is available for use by RN modules, as follows:

- RN131 and RN171 modules with firmware version 2.45 and later
- RN1723 modules with firmware version 1.0 or later

RN modules support several methods for accessing Wi-Fi networks. In addition to Infrastructure mode, RN modules support Soft Access Point (Soft AP) mode.

In Soft AP mode:

- The RN module creates a Soft AP network to which Android devices (smartphones and tablets) can join
- The RN module runs a DHCP server and issues IP addresses to seven clients
- The RN module supports security
- The RN module supports routing between clients

The following sections describe how to use Soft AP mode with an RN module, including configuring the RN module to act as an access point, enabling Soft AP mode in hardware and software, and sending data to the RN module from a remote Host.

3.13.1 Enabling Soft AP mode

There are two methods for enabling Soft AP mode: hardware and software. These methods are described in the following sections.

3.13.1.1 ENABLE SOFT AP MODE IN HARDWARE

To enable Soft AP mode in hardware, hold the GPIO9 pin high at 3.3V, and then reset (i.e., power cycle) the RN module. The RN module will then boot-up in Soft AP mode with the DHCP server enabled.

Table 3-29 shows the default Soft AP mode settings.

TABLE 3-29: DEFAULT SOFT AP MODE SETTINGS

Setting	Soft AP Mode Default
SSID	WiFly-XXX-yy, where 'XXX' is: <ul style="list-style-type: none"> • GSX (RN131 module) • EZX (RN171 module) • FZX (RN1723 module) and 'yy' is the LSB byte of the RN module's MAC address
Channel	1
DHCP server	Enabled
IP address	192.168.1.1
Netmask	255.255.255.0
Gateway	192.168.1.1

When the RN module boots up in Soft AP mode, other Wi-Fi enabled devices, such as PCs, iPhones, iPads, and Android tablets, should be able to see the RN module when they scan for access points.

Note: Microchip recommends setting the RN module as the gateway when creating a point-to-point network between devices (Wi-Fi network only).

WiFly Command Reference Manual

3.13.1.2 ENABLE SOFT AP MODE IN SOFTWARE

Soft AP mode can be enabled in software using the `set wlan join 7` command. Network settings such as the SSID, channel, and IP address can be customized in software to create a custom Soft AP mode. For example, the following commands create a custom Soft AP mode in software:

```
set wlan join 7           // Enable Soft AP mode
set wlan channel <value> // Specify the channel to create network
set apmode ssid <string> // Set up network broadcast SSID (BSSID)
set apmode passphrase <string> // Set the Soft AP mode passphrase
set ip dhcp 4            // Enable DHCP server
set ip address <address> // Specify the IP address
set ip net <address>     // Specify the subnet mask
set ip gateway <address> // Specify the gateway
save                     // Store settings
reboot                   // Reboot the RN module in Soft AP mode
```

After rebooting, the RN module is in Soft AP mode with the custom settings (SSID, channel, IP address, netmask, and gateway).

A quick method of creating a Soft AP network is to use the `apmode <bssid> <channel>` command, where `<bssid>` is the broadcast SSID and `<channel>` is the channel on which the Soft AP network is created. The `<bssid>` and `<channel>` parameters are optional. If no parameters are specified, the RN module:

- Uses the string stored with the `set opt device_id <string>` command and appends `-xy`, where 'xy' is the last byte of the RN module's MAC address as the SSID
- Creates the Soft AP network on channel 1

Note: This command does not survive power cycling. After a power cycle, the RN module behaves according to the wireless join policy determined by the `set wlan join <value>` command.

Example

```
apmode MyNetwork 11 // Creates a Soft AP network on channel 11
                    // with the SSID MyNetwork
```

3.13.2 Using Soft AP Mode

This section describes how to use Soft AP mode, including connecting to the RN module, checking for the last device connected over TCP, viewing associated devices, enabling the link monitor, and routing data between clients.

3.13.2.1 CONNECT TO THE RN MODULE

Once the RN module boots up in Soft AP mode, any client device can associate with the network the RN module is broadcasting. Once associated, the RN module's DHCP server assigns an IP address to the client device.

The default lease time is 1 day (i.e., 86,400 seconds). The lease time can be configured using the `set dhcp lease <value>` command, where `<value>` is the time in seconds. To view a list of devices associated with the RN module, use the `show lease` command. The command output is in the following format with commas delimiting the fields:

IP address assigned	Client MAC address	Remaining lease time (in seconds)	Host name
---------------------	--------------------	-----------------------------------	-----------

[Example 3-21](#) shows output from the `show lease` command.

EXAMPLE 3-21: SHOW LEASE COMMAND OUTPUT

```
<2.42> show lease
1.2.3.10,f0:cb:a1:2b:63:59,153,*
1.2.3.11,00:00:00:00:00:00,0,
1.2.3.12,00:00:00:00:00:00,0,
1.2.3.13,00:00:00:00:00:00,0,
1.2.3.14,00:00:00:00:00:00,0,
1.2.3.15,00:00:00:00:00:00,0,
1.2.3.16,00:00:00:00:00:00,0,
<2.42>
```

Note: In Soft AP mode, the RN module can assign a DHCP lease to seven clients. However, not all clients report the Host name. In this case, the RN module reports the Host name as an asterisk (*).

Once a client is associated to the network, it can open a TCP connection to the RN module. After successfully opening a TCP connection, the client receives a `*HELLO*` message. The RN module prints `*OPEN*` on the UART, indicating an open TCP connection.

3.13.2.2 CHECK FOR THE LAST CONNECTED DEVICE OVER TCP

In some cases, it is beneficial to know the IP address of the last device that connected to the RN module over TCP or the last device to which the RN module connected over TCP. To find this address, use the `show z` command. Please note that this command does not survive a power cycle or reboot.

Upon power-up, if no device is connected over TCP, the `show z` command returns 0.0.0.0.

3.13.2.3 VIEW ASSOCIATED DEVICES

To see a list of devices associated with the RN module, use the `show associated` command. The command output is in the following format with commas delimiting the fields:

Connection number	Host MAC address	Received byte count	Transmitted byte count	Seconds since last packet received
-------------------	------------------	---------------------	------------------------	------------------------------------

[Example 3-22](#) shows output from the `show associated` command.

EXAMPLE 3-22: SHOW ASSOCIATE COMMAND OUTPUT

```
<2.42> show associated
1,f0:cb:a1:2b:63:59,36868,0,7
2,00:24:8c:31:e5:27,76168,0,2
3,98:4b:4a:6b:e0:0f,1992,0,0
<2.42>
```

The “Seconds since last packet received” output can be used to check for stale connections.

WiFly Command Reference Manual

3.13.2.4 ENABLE THE LINK MONITOR

Soft AP mode supports a link monitor feature to detect whether or not individual client devices are active and in range of the RN module. The link monitor is a timer (in seconds) that checks to see if any packets are received from an associated device. If the timer expires, the access point module deauthenticates the client(s). This feature is useful for aging out clients that do not send any traffic over Wi-Fi.

The link monitor is enabled using the `set wlan fmon <value>` command, where `<value>` is a decimal number representing the number of seconds of client inactivity (i.e., no data received from the client device). This command sets the Soft AP mode link monitor time-out threshold for each associated client device. When this timer expires, the RN module deauthenticates that particular client.

Setting this timer to a lower value, such as 10 seconds, may result in frequent deauthentications for client devices if they do not send data before the timer expires.

To disable the link monitor timer, set `<value>` to zero (0). The default is 3600.

Example

```
set wlan fmon 1000 // Set the fmon timer to 1,000 seconds
```

3.13.2.5 ROUTE DATA BETWEEN CLIENTS

Soft AP mode supports routing between clients. Clients can ping each other via Soft AP mode and can also send data to each other over TCP and UDP.

Note: Routing data between clients is not supported when WPA2-PSK encryption is enabled.

3.13.2.6 ALTERNATIVE GPIO4/GPIO5/GPIO6 FUNCTIONS

GPIO4, GPIO5, and GPIO6 have alternative functions in Soft AP mode, as described in [3.13.2 “Using Soft AP Mode”](#). The alternative functions are enabled using the following command:

```
set sys iofunc 0x70 // Enables alternative functions
```

The link monitor feature must be enabled to turn on the alternative functions in Soft AP mode only. [Table 3-30](#) shows the GPIO alternative functions.

TABLE 3-30: ALTERNATIVE GPIO FUNCTIONS

GPIO	Description
GPIO4	High when the first client associates; low when all clients leave the network.
GPIO5	The RN module can drive GPIO5 high to open a TCP connection to a stored host. When the RN module drives GPIO5 low, it closes the TCP connection.
GPIO6	The RN module drives GPIO6 high when a TCP connection is open and low when a TCP connection is closed.

3.14 UPGRADING FIRMWARE

3.14.1 Upgrading Firmware Via FTP

The RN module has a file system for storing firmware and configuration files. Use the `ls` command to view files. The file size is displayed in sectors and the active boot image is identified in the final message. For example:

```
FL#      SIZ  FLAGS
  11     18   3                WiFly_GSX-2.21
  29     1   10                config
190 Free, Boot=11, Backup=0
```

It is possible to store multiple firmware images and configuration files in the file system of the RN module.

Note: The RN module's Flash file system only is used to store firmware and configuration files. The file system cannot be used to store data files.

The RN module contains a built-in FTP client for downloading files and updating the firmware. The client uses passive mode FTP, which allows operation through firewalls and the Internet. To connect to Microchip to obtain the latest released firmware, use the settings shown in [Table 3-31](#).

TABLE 3-31: FTP SETTINGS

Setting	Description
FTP server	<code>rn.microchip.com</code> (set FTP server using the <code>set dns backup <string></code> command)
FTP username	<code>roving</code>
FTP password	<code>Pass123</code>
FTP filename	Refer to the following sections for the filename used in different versions of firmware.
FTP directory	<code>./public</code> (this parameter cannot be modified)

Note: Before using FTP to upgrade the firmware, the RN module must first be associated with an access point that is connected to the Internet.

3.14.1.1 UPGRADING WITH MULTIPLE IMAGE FORMAT (MIF) FILES

Note: Upgrading using the MIF file description, is only available for the following RN modules:

- RN131 and RN171 modules with firmware version 4.0 and later
- RN1723 modules with firmware 1.0 or later

The MIF (`.mif`) files contain the firmware image (`.img`) and associated applications and files to support all of the features of the installed firmware. RN modules that support the MIF file format can unpack the `.mif` file and install the applications and files into the RN module's Flash memory.

Download the `.mif` file using one of the following commands:

- `ftp update wifly3-400.mif` (RN131 module)
- `ftp update wifly7-400.mif` (RN171 module)
- `ftp update wifly7-100.mif` (RN1723 module)

WiFly Command Reference Manual

After downloading the .mif file, the RN module unpacks it and automatically reboots into the new boot image with all of the associated files installed into the RN module's Flash memory. [Table 3-32](#) describes these files.

TABLE 3-32: FIRMWARE AND ASSOCIATED APPLICATIONS

File Name	Description	Comments
wifly_EZX-2.45 wifly-EZX-307 wifly-EZX-400 wifly-FZX-100	Firmware image files (.img)	Filenames beginning in wifly are typically firmware images.
wps_app-EZX-131 eap_app-EZX-101 web_app-EZX-105 web_app-FZX-112	Application files	These application files are used for specific module features.
web_config.html link.html	HTML files	These files are used for the configuration Web Server feature.
logo.png	Logo file	Logo displayed on web pages. Used for the configuration Web Server feature.
config	Configuration file	The config file stores the RN module's boot-up parameters.

The firmware image, applications, and associated files in the Flash memory can be verified using the `ls` command, as shown in [Example 3-23](#).

EXAMPLE 3-23: `ls` COMMAND EXAMPLE OUTPUT

```
<3.07> ls
FL#    SIZ    FLAGS
  2   83576    3  WiFly_EZX-2.45
 23     -1   10  config
 25   85512    3  wifly-EZX-307
 26   46624    3  wps_app-EZX-131
 27   66248    3  eap_app-EZX-101
 28   74280    3  web_app-EZX-105
 29   37014    0  web_config.html
 30     512    0  link.html
 31   1609    0  logo.png
149 Free, Boot=25, Backup=2
<3.07>
```

3.14.1.2 UPGRADING FIRMWARE TO VERSION 4.0

Note: Upgrading firmware to version 4.0 is only applicable to the RN131 and RN171 modules.

To update the firmware from a version prior to 4.0, follow this process:

1. Update the firmware `.img` file to version 4.xx using one of the following commands:
 - `ftp update wifly3-400.img` (RN131 module)
 - `ftp update wifly7-400.img` (RN171 module)
2. Remove the old configuration using the following command:
`del config`
3. Reboot the RN module to boot into the new image.

NOTICE

It is mandatory that the RN module be reset to the factory default settings at this point using the `factory RESET` and `reboot` commands.

4. Download the `.mif` file using one of the following commands:
 - `ftp update wifly3-400.mif` (RN131 module)
 - `ftp update wifly7-400.mif` (RN171 module)

After the RN module downloads the `.mif` file, the RN module automatically reboots into the boot image with all of the associated files installed into the RN module's Flash memory. Refer back to [Table 3-32](#) for a description of these files. The firmware image, applications, and associated files in Flash memory can be verified using the `ls` command (see [Example 3-23](#)).

3.14.1.3 UPGRADING FIRMWARE PRIOR TO VERSION 4.0

Note: Upgrading firmware to a version prior to 4.0 is only applicable to the RN131 and RN171 modules.

To update the firmware to a version prior to 4.0 (e.g., from version 2.45 to 3.07), issue the command `ftp update <filename>`, where `<filename>` is an optional file name (use the optional name to bypass the default firmware file name).

The RN module retrieves the file and switches the boot image to the new file, resulting in the following messages:

```
<2.20> ftp update
<2.20> FTP connecting to 208.109.78.34
FTP file=30
.....
FTP OK.
```

CAUTION

After the RN module reboots with the new firmware, it is recommended to reset the RN module to the factory default parameters using the `factory RESET` command. Failure to do so may result in some variables being initialized with random values.

WiFly Command Reference Manual

The previous firmware becomes the back-up image. The following example shows the file system after a successful update:

```
FL#      SIZ  FLAGS
 11      18   3           WiFly_GSX-2.20
 29      1   10          config
 30      18   3           WiFly_GSX-2.21
208 Free, Boot=30, Backup=11
```

After downloading, the firmware checks the image and compares it to the stored values in the file before committing the image to Flash and updating the boot record. If the checksum fails, the RN module displays `UPDATE FAILED=x` and deletes the image.

Note: It is necessary to reboot or power cycle the RN module to use the new firmware. To boot with different firmware, use the command `boot image <value>`, which sets the current boot image as `<value>`.

For example, issue the following command to boot the previous image using the previous example:

```
<2.20> boot image 11
Set Boot Image 11, =OK
```

Note: After changing the boot pointer to the new image, the RN module must be rebooted to boot up with the new image. Once the RN module boots up with the new image, perform a factory reset on the RN module to initialize all the parameters to the factory default settings. Then, the parameters can be reinitialized as required.

3.14.1.4 OPTIONAL FTP UPDATE COMMAND PARAMETERS

Note: The optional FTP update command parameters apply to:

- RN131 and RN171 modules with firmware version 4.40 and later
- RN1723 modules with firmware 1.0 or later

The optional FTP update command parameter options are:

```
ftp <option>update <filename>
```

where `<option>` is:

`u` – download firmware and set as boot image `<filename>` is the name of the firmware (`.img` or `.mif` file)

`c` – clean the file system option before performing firmware update over FTP. This will delete all the files on the Flash file system (including user-defined configuration files) except the current boot image and the factory default boot image (sector 2).

3.14.1.4.1 FTP Update Procedure Example

Step 1: Issue the FTP update command.

```
ftp cupdate wifly7-440.mif
```

After a successful firmware update, the RN module will automatically boot into the new image.

Step 2: Perform a factory reset and reboot the RN module.

```
factory RESET
reboot
```

During the process, the UART console echoes the status of the FTP update:

```
<4.40> ftp cupdate wifly7-440.mif
del 4 wifly-EZX-405
del 5 config
del 6 reboot
del 8 logo.png
del 13 wps_app-EZX-131
del 14 eap_app-EZX-105
del 15 web_app-EZX-112
del 16 web_config.html
del 17 link.html
FTP connecting to 198.175.253.161

FTP
file=4:.....
...
FTP file=5:.....
FTP file=6:.....
FTP file=8:.....
FTP file=9:.....
FTP file=10:...
FTP file=11:.....
UPDATE OK
*Reboot*.wifly-EZX Ver: 4.40 Build: r1018, Oct 31 2013 09:45:31 on RN171
MAC Addr=00:06:66:71:0f:d4
*READY*
```

- Note 1:** If the RN module does not have Internet access or is unable to contact the FTP server, it will still perform the file system clean.
- 2:** To prevent file system clean-up prior to the FTP update, do not specify the clean-up in the `ftp update` command.
- 3:** It is recommended to initialize the RN module with factory default settings after a successful FTP update in order to avoid the `*BAD-CONFIG*` message due to a configuration file mismatch between old and new firmware versions.

WARNING

When updating an RN131 or RN171 module image from version 4.40 to an earlier version, it is required to use the `ftp cu <filename>` command to delete the existing configuration file prior to downloading the new image. Alternatively, the `del config` command can be used followed by the `ftp u <filename>` command. Failure to delete the configuration file using one of these two methods may result in the RN module being unresponsive after downloading the new firmware image. Restoring the RN module to factory defaults using GPIO9 will recover from this state.

WiFly Command Reference Manual

3.14.2 Firmware Update over UART via XMODEM 1K Protocol

Firmware updates over UART using the XMODEM 1K protocol is supported by RN131 and RN171 modules with firmware 4.40 and later or RN1723 modules with firmware version 1.0 or later.

Note: The RN In-System Programmer (RN-ISP) is not required to update the firmware.

Prerequisites:

- Must have a local copy of a `.img` or `.mif` firmware file. The `.img` file always contain a single module firmware application. The `.mif` file may contain module firmware and other application(s) such as `web_app`, `wps_app` and/or custom files.
- Software application capable of sending files over serial port via the XMODEM-1K protocol (e.g., Tera Term for Windows or CoolTerm for Mac)

3.14.2.1 UPDATING FIRMWARE USING THE TERA TERM TERMINAL OVER XMODEM 1K PROTOCOL

1. Connect the RN module to the PC and open Tera Term.
2. To increase download speeds, set the baud rate to 230400 by sending the WiFly commands:

```
set uart baud 230400 //set baud rate to 230400
set uart flow 1 //enable UART flow control
save
reboot
```

3. Set the baud rate to 230400 and enable Hardware flow control).
4. Enter the following WiFly command to enable Xmodem mode:

```
xmodem <option> <filename>
```

where *<option>* is:

`u` – download firmware and set as boot image *<filename>* is the name of the firmware (`.img` or `.mif` file)

`c` – clean the file system before performing firmware update over FTP or the XMODEM 1K protocol. This will delete all the files on the Flash file system (including user defined configuration files) except the current boot image and the factory default boot image (sector 2)

Example:

```
xmodem cu wifly7-400.mif
```

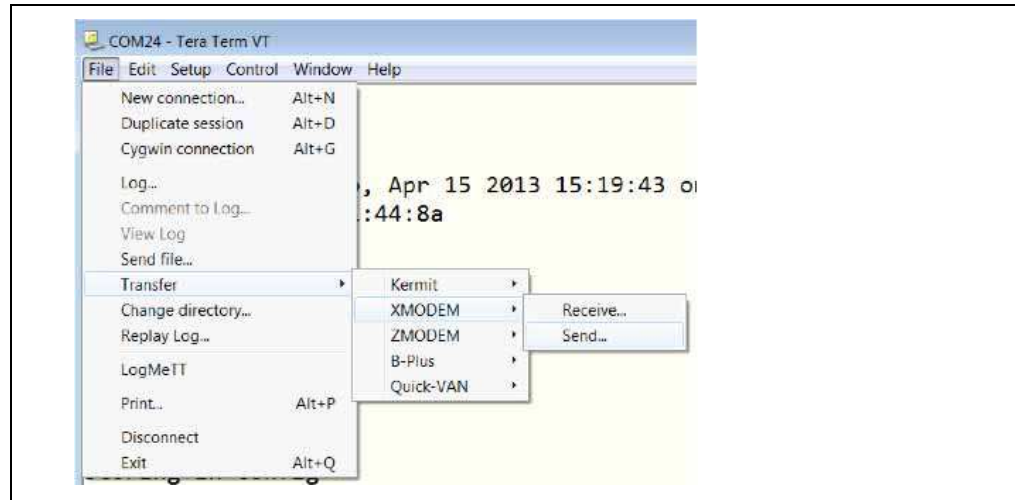
Once the command is entered, output similar to the following should appear.

```
<4.40> xmodem cu wifly7-400.mif
del 4 wifly-EZX-405
del 5 config
del 6 reboot
del 8 logo.png
del 13 wps_app-EZX-131
del 14 eap_app-EZX-105
del 15 web_app-EZX-112
del 16 web_config.html
del 17 link.html
xmodem ready...
<4.40>
```

Note: The RN module deletes all files from the Flash file system, except the current boot image and the factory default boot image.

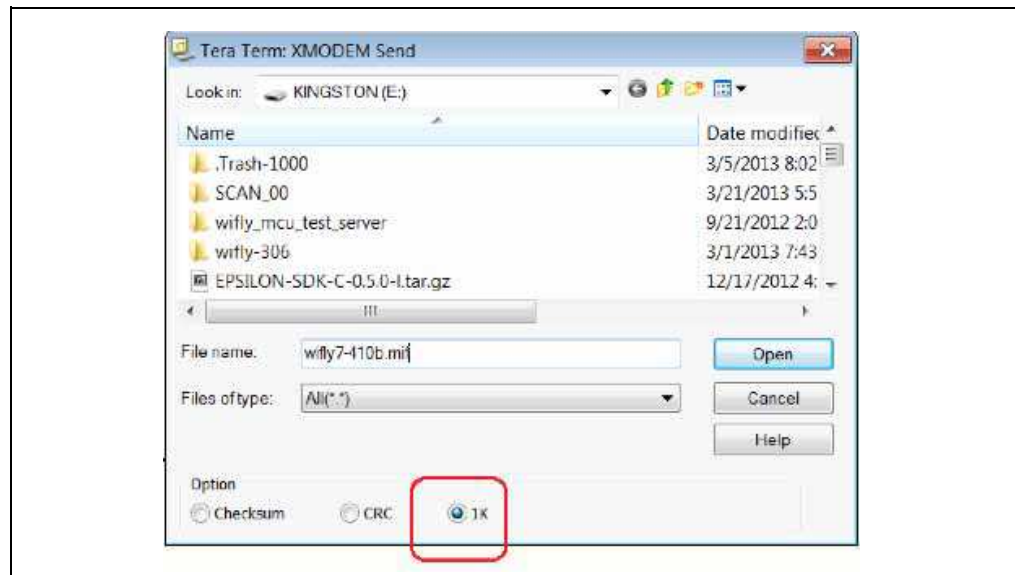
- Once XMODEM is ready on the UART, proceed to the XMODEM file transfer option in Tera Term by selecting the *File > Transfer > XMODEM > Send* option.

FIGURE 3-15:



- Select the 1K option, enter the `.img` or `.mif` file path, and click **Open**.

FIGURE 3-16:



- The new firmware and/or web files will download to the RN module. If everything was successful, a message similar to the following should appear:
`<4.40>`
`XMOD OK.`
- At this point, the firmware should be downloaded to the RN module. Issue an `ls` command to ensure everything worked properly.

Note: There is a default 30 second timeout from when the xmodem command is issued. To disable this time-out, enter the command:
`set ftp timeout 0`

WiFly Command Reference Manual

3.15 ANALOG SENSOR CAPABILITY

The RN module has eight analog sensor inputs that can be driven between 0V to 1.2V DC. The analog inputs can be sampled and the digital value read using the `show q <value>` command, where `<value>` is a decimal number representing the channel. See “[show q <value>](#)” for more information.

WARNING

Driving these inputs above 1.2V can permanently damage the RN module.

The channel is the analog sensor input from 0 to 7. The value for the analog sensor input is measured in microvolts and is returned as `8xxxxx`, where the beginning 8 is a start marker.

Multiple channels can be sampled using a bit mask through the `show q 0x1 <mask>` command, where `<mask>` is a bit mask of the channels. See “[show q 0x1<mask>](#)” for more information.

EXAMPLE 3-24: READ CHANNELS 0, 1, AND 7

```
show q 0x183 // Read channels 0, 1, and 7
```

The results of the read are in the following format:

```
8<channel 0>, 8<channel 1>, 8<channel 7>\r\n
```

The analog input hardware specification is:

- Input voltage range: 0V-1.2V (the ADC saturates at 400 mV)
- Resolution: 14 bits = 12 μ V
- Sampling frequency: 35 μ s
- Accuracy: 5 percent uncalibrated

The accuracy of each analog sensor reading can be offset by up to 5 percent due to variations in devices. To improve accuracy, it is recommended to use a precision reference voltage on one of the analog inputs to calculate the offset. The offset is the same for all analog inputs. For example:

- Drive precision 200 mV reference on analog input 4
- Read analog input 4 and compute the offset

If 210 mV is read, this indicates that the offset is +10 mV. If input 5 is read, subtract 10 mV from the result.

3.15.1 Sampling Sensor Pins Automatically

The sensor pins can be sampled automatically and data forwarded in two modes:

- The UDP broadcast packet can contain the sample values.
- In HTTP mode, the sampled pin data can be forwarded to a remote server

To enable these modes, use the `set q sensor <mask>` command.

EXAMPLE 3-25: SAMPLE ALL SENSOR INPUTS

```
set q sensor 0xff // Sample all sensor inputs
```

3.15.2 Using the Built-In Sensor Power

The RN modules contain an on-board sensor power pin, which is controlled by the `set q sensor <mask>` command, where `<mask>` is a bit mask value that determines which sensor pins to sample when sending data using the UDP broadcast packet or the HTTP auto-sample function. See “[set q sensor <mask>](#)” for information.

Use the `set q power <value>` command to set the power value. See “[set q power <value>](#)” for information on using this command.

WiFly Command Reference Manual

NOTES:

Chapter 4. Command Reference

This chapter lists and describes the WiFly commands that can be used to configure an RN module.

Topics include:

- [Command Syntax](#)
- [Command Organization](#)
- [Set Commands](#)
- [Get Commands](#)
- [Status Commands](#)
- [Action Commands](#)
- [File I/O Commands](#)

4.1 COMMAND SYNTAX

To issue WiFly commands to an RN module, a keyword is sent followed by optional parameters. The following syntax rules apply:

- Commands are case sensitive
- Hex input data can be uppercase or lowercase
- String text data, such as the SSID, is case sensitive
- Spaces cannot be used in parameters. Instead, a dollar sign character, \$, is used to indicate a space. For example, the parameter MY NETWORK should be written as MY\$NETWORK
- Shorthand can be used for the parameters. For example, the following commands are equivalent:

```
- set uart baudrate 115200  
- set uart b 115200  
- set u b 115200
```

Note: Shorthand *cannot* be used for command keywords. For example, abbreviating the command keyword 'set' to 's' is invalid.

- Numbers can be entered in either decimal or hexadecimal. The syntax to enter a number in hex is 0x<value>. For example, the hex value, FF, would be entered as 0xFF

WiFly Command Reference Manual

4.2 COMMAND ORGANIZATION

There are five command categories, as listed in [Table 4-1](#).

TABLE 4-1: COMMAND TYPES

Command Type	Description
Set commands	Set commands take effect immediately and are stored to memory when the <code>save</code> command is issued.
Get commands	These commands retrieve and display the stored information.
Status commands	These commands display the interface status, IP status, etc.
Action commands	Use these commands to perform actions such as scanning, connecting, disconnecting, etc.
File I/O commands	Use these commands to upgrade, load and save a configuration, delete files, etc.

Note: Any changes made must be saved using the `save` command or the RN module will load the previous settings upon reboot or power-up.

When the system boots, all configuration data is loaded into RAM variables from the configuration file. The Set commands only modify the RAM copy of the system variables. In general, the IP, WLAN, and UART settings require a save and reboot before they take effect because they operate upon power-up. For example, associating, setting the channel, and obtaining an IP address only once at power-up. Most of the other commands, such as the `set comm` series of commands and timers, take effect immediately, allowing parameters to be changed on-the-fly, minimizing power usage, and saving Flash rewrite cycles.

Once configuration is complete, the settings must be saved to store the configuration data; otherwise, they will not take effect upon reboot or reset. Multiple configurations can be stored using the `save <filename>` command, and can be loaded using the `load <filename>` command.

4.3 SET COMMANDS

The Set commands begin with the `set` keyword and include the parameter categories listed in [Table 4-2](#).

TABLE 4-2: SET COMMAND PARAMETER CATEGORIES

Parameter	Description
<code>apmode</code>	Controls the Access Point (Soft AP) parameters.
<code>broadcast</code>	Controls the broadcast hello/heartbeat UDP message.
<code>comm</code>	Sets the communication and data transfer, timers, and matching characters.
<code>dns</code>	Sets the DNS host and domain.
<code>ftp</code>	Sets the FTP host address and login information.
<code>ip</code>	Specifies the IP settings.
<code>option</code>	Supports optional and infrequently used parameters.
<code>sys</code>	Sets system settings such as sleep and wake timers.
<code>time</code>	Sets the timer server settings.
<code>uart</code>	Specifies the serial port settings such as baud rate and parity.
<code>wlan</code>	Sets the wireless interface settings, such as SSID, channel, and security options.

[Table 4-3](#) lists and describes all WiFly Set commands, which are grouped by function. Detailed descriptions of each command, which are grouped by function follow the table.

TABLE 4-3: SET COMMANDS

Command	Default	Description
APMODE Commands		
<code>set apmode beacon <value></code>	102	Sets the Soft AP beacon interval in milliseconds.
<code>set apmode link monitor <value></code>	3600	This command is used in Soft AP mode to detect if the individual client devices are active and in range of the RN module.
<code>set apmode passphrase <string></code>	NULL	This command sets the Soft AP mode passphrase to be used for WPA2-AES encryption.
<code>set apmode probe <value></code>	5	Sets the Soft AP mode probe time-out in seconds.
<code>set apmode reboot <value></code>	0	Sets the reboot timer.
<code>set apmode ssid <string></code>	NULL	This command sets the Soft AP network name (SSID) to be broadcast where <code><string></code> is the SSID.
BROADCAST Commands		
<code>set broadcast address <address></code>	255.255.255.255	Sets the address to which the UDP hello/heartbeat message is sent.
<code>set broadcast backup <address></code>	0.0.0.0	Sets the secondary broadcast back-up address.
<code>set broadcast interval <mask></code>	7	Sets the interval (in seconds) at which the hello/heartbeat UDP message is sent.
<code>set broadcast port <value></code>	55555	Sets the port to which the UDP hello/heartbeat message is sent.
<code>set broadcast remote <port></code>	0	Sets the secondary broadcast port.

WiFly Command Reference Manual

TABLE 4-3: SET COMMANDS (CONTINUED)

Command	Default	Description
COMM Commands		
set comm \$ <char>	\$	Sets character used to enter command mode to <char>.
set comm close <string>	*CLOS*	Sets the ASCII string that is sent to the local UART when the TCP port is closed.
set comm idle <value>	0	Sets the idle timer value in seconds.
set comm match <value> <hex>	0	Sets the match character in hex or decimal.
set comm open <string>	*OPEN*	Sets the ASCII string that is sent to the local UART when the TCP port is opened.
set comm remote <string>	*HELLO*	Sets the ASCII string that is sent to the remote TCP client when the TCP port is opened.
set comm size <value>	64	Sets the flush size in bytes.
set comm time <value>	5	Sets the flush timer.
DHCP Command		
set dhcp lease <value>	86400	Sets the Soft AP mode DHCP lease time in seconds.
DNS Commands		
set dns address <address>	0.0.0.0	Sets the IP address of the DNS sever.
set dns backup <string>	rn.microchip.com	Sets the name of the back-up host for TCP/IP connections to <string>.
set dns name <string>	server1	Sets the name of the host for TCP/IP connections to <string>.
FTP Commands		
set ftp addr <address>	0.0.0.0	Sets the FTP server's IP address of the FTP server.
set ftp dir <string>	public	Sets the starting directory on the FTP server.
set ftp filename <filename>	See description	Sets the name of the file that is transferred when issuing the ftp u command, where <filename> is the name of the firmware image. The firmware version 4.0 defaults are: <ul style="list-style-type: none"> • wifly3-<version>.img (RN131) • wifly7-<version>.img (RN171/RN1723) The firmware prior to version 4.0 defaults are: <ul style="list-style-type: none"> • wifly-GSX-<version>.img (RN131) • wifly-EZX-<version>.img (RN171)
set ftp pass <string>	Pass123	Sets the password for accessing the FTP server.
set ftp mode <mask>	0x0	Sets the FTP mode, where <mask> indicates active or passive mode. Default is passive.
set ftp remote <value>	21	Sets the FTP server's remote port number.
set ftp time <value>	200	Sets the FTP timeout value, where <value> is a decimal number that is five times the number of seconds required.
set ftp user <string>	roving	Sets the user name for accessing the FTP server.

TABLE 4-3: SET COMMANDS (CONTINUED)

Command	Default	Description
IP Commands		
set ip address <address>	0.0.0.0	Sets the IP address of the RN module.
set ip backup <address>	0.0.0.0	Sets a secondary host IP address.
set ip dhcp <value>	1	Enables/disables DHCP mode.
set ip flags <mask>	0x7	Sets the TCP/IP functions.
set ip gateway <address>	0.0.0.0	Sets the gateway IP address.
set ip host <address>	0.0.0.0	Sets the remote host's IP address.
set ip localport <value>	2000	Sets the local port number.
set ip netmask <address>	255.255.255.0	Sets the network mask.
set ip protocol <flag>	2	Sets the IP protocol.
set ip remote <value>	2000	Sets the remote host port number.
set ip tcp-mode <mask>	0x0	Controls the TCP connect timers, DNS preferences, and remote configuration options.
OPT Commands		
set opt average <value>	5	Sets the number of RSSI samples used to calculate the running RSSI average.
set opt deviceid <string>	WiFi-XXX	Sets the configurable device ID, where 'XXX' is GSX for the RN131 and EZX for the RN171/RN1723.
set opt format <flag>	0x00	Sets the HTTP Client/Web Server information.
set opt jointmr <value>	1000	Sets the join timer, which is the length of time in milliseconds that the join function waits for the access point to complete the association process.
set opt replace <char>	\$ (0x24)	Sets the replacement character to use for indicating spaces in the SSID and passphrases, where <char> is a single character.
set opt password <string>	"" (no password required)	Sets the TCP connection password.
set opt signal <value>	0	Configures the threshold level for the RSSI value in infrastructure mode.
Q Commands		
set q power <value>	0	Automatically turns on the sensor power.
set q sensor <mask>	0	Specifies which sensor pins to sample when sending data using the UDP broadcast packet or the HTTP auto sample function.

WiFly Command Reference Manual

TABLE 4-3: SET COMMANDS (CONTINUED)

Command	Default	Description
SYS Commands		
set sys autoconn <value>	0	Sets the auto-connect timer in TCP mode.
set sys autosleep <value>	0	Sets the auto-sleep timer in UDP mode.
set sys iofunc <mask>	0x0	Sets the I/O port alternate functions.
set sys launch_string <string>	web_app	Sets the application to launch when the GPIO9 pin is high after power-up.
set sys mask <mask>	0x20F0 (RN131) 0x21F0 (RN171/RN1723)	Sets the I/O port direction.
set sys printlvl <value>	0x1	Controls the debug print messages printed by the RN module on the UART.
set sys output <mask> <mask>	None	sets the output GPIO pins high or low. The optional <mask> sets a subset of the pins.
set sys sleep <value>	0	Sets the sleep timer.
set sys trigger <flag> or <mask>	0x1	With this parameter setting, the RN module wakes from sleep state using the sensor input 0, 1, 2, and 3.
set sys value <mask>	0x0	Sets the default value of the GPIO pins' outputs upon power-up.
set sys wake <value>	0	Sets the automatic wake timer in seconds.
set sys z <value>	0	Sets the minimum CPU doze time in milliseconds (only available on RN1723-based modules).
Time Commands		
set time address <address>	64.90.182.55	Sets the time server address.
set time enable <value>	0	Tells the RN module how often to fetch the time from the specified SNTP time server in minutes.
set time port <value>	123	Sets the time server port number.
set time raw <value>	None	Enables setting the RTC raw value in seconds from the console.
UART Commands		
set uart baud <value>	9600	Sets the UART baud rate, where <value> is 2400, 4800, 9600, 19200, 38400, 57600, 115200, or 230400.
set uart cmdgpio <value>	0	Allows the GPIO1 pin to be used to enable (1) or disabled (0) Command mode (only available on RN1723-based modules).
set uart flow <value>	0	Sets the flow control mode and parity.
set uart instant <value>	Not applicable	Immediately changes the baud rate, where <value> is 2400, 4800, 9600, 19200, 38400, 57600, 115200, or 230400.
set uart mode <mask>	0	Sets the UART mode register.
set uart raw <value>	Not applicable	Sets a raw UART value.
set uart tx <value>	Not applicable	Disables or enables the UART's TX pin (GPIO10), where <value> is 1 or 0.

TABLE 4-3: SET COMMANDS (CONTINUED)

Command	Default	Description
WLAN Commands		
set wlan auth <value>	0	Sets the authentication mode.
set wlan channel <value> <flag>	0	Sets the WLAN channel, where <value> is a decimal number from 1 to 13 representing a fixed channel and <flag> is the optional character 'i' (meaning immediate).
set wlan ext_antenna <value>	0	Determines which antenna is active, where <value> is 0 (use the chip antenna) or 1 (use the U.FL connector).
set wlan fmon <value>	3600	Sets the Soft AP mode link monitor timeout threshold for the associated client device.
set wlan id <string>	Not applicable	Reserved for future use.
set wlan hide <value>	0	Hides the WEP key and WPA passphrase, where <value> is 0 or 1.
set wlan join <value>	1 0	Sets the policy for automatically associating with network access points.
set wlan key <value>	Not applicable	Sets the 128-bit WEP key, where <value> is exactly 26 ASCII chars (13 bytes) in hex without the preceding 0x.
set wlan linkmon <value>	0 (disabled)	Sets the link monitor timeout threshold, where <value> is a decimal number representing the number of failed scans before the RN module declares "Soft AP is Lost" and deauthenticates.
set wlan mask <mask>	0x1FFF (all channels)	Sets the WLAN channel mask, which is used for scanning channels with auto-join policy 1 or 2.
set wlan phrase <string>	rubygirl	Sets the passphrase for WPA and WPA2 security modes.
set wlan number <value>	0	Sets the WEP key number.
set wlan rate <value>	12	Sets the wireless data rate.
set wlan ssid <string>	roving1	Sets the SSID with which the RN module associates.
set wlan tx <value>	0	Sets the Wi-Fi transmit power, where <value> is a decimal number from 1 to 12 that corresponds to 1 to 12 dBm.
set wlan user <string>	Not applicable	Reserved for future use.

WiFly Command Reference Manual

4.3.1 `apmode` Parameter `set` Commands

The following `set` commands that make use of the `apmode` parameter include:

- `set apmode beacon <value>`
- `set apmode probe <value>`
- `set apmode reboot <value>`
- `set apmode link_monitor <value>`
- `set apmode passphrase <string>`
- `set apmode ssid <string>`

`set apmode beacon <value>`

This command sets the Soft AP beacon interval in milliseconds, where `<value>` is a decimal number from 0 to 65,436.

Default

102

Example

```
set apmode beacon 120      // Beacons are sent every 120 ms
```

`set apmode probe <value>`

This command sets the Soft AP mode probe time-out in seconds, where `<value>` is the number of seconds. The probe timeout is the number of seconds the RN module waits for probe responses before declaring `APMODE is lost` and disabling the network interface.

Default

5

Example

```
set apmode probe 80      // Sets the Soft AP mode probe time-out
                          // to 80 ms
```

set apmode reboot <value>

This command sets the reboot timer to reboot the RN module periodically every <value> seconds.

Note: <value> must be greater than 60 secs. To enable the automatic reboot feature, the reboot timer must be used in conjunction with the debug register (set system debug 0x80).

Default

0

Example

```
set apmode reboot 600 // Sets the reboot timer to 600 seconds
```

set apmode link_monitor <value>

This command is used in Soft AP mode to detect if the individual client devices are active and in range of the RN module.

This command sets the Soft AP mode link monitor timeout threshold for the associated client device, where <value> is a decimal number representing the number of seconds of client inactivity (i.e., no data received from the client device). When this timer expires, the RN module deauthenticates the inactive client.

Setting this timer to a low value (i.e., 10 seconds) can result in client devices frequently deauthenticating if they do not send data before the timer expires.

Setting the <value> to zero (0) disables the Soft AP mode link monitor.

Default

3600

Example

```
set apmode link_monitor 1000 // Sets the Soft AP mode link
                             // monitor timer to 1,000 seconds
```

set apmode passphrase <string>

This command sets the Soft AP mode passphrase to be used for WPA2-AES encryption. When set, the RN module will broadcast a network in Soft AP mode with WAP2-AES encryption enabled. The allowable length of <string> is between 8 and 64 characters

Default

NULL

Example

```
set apmode passphrase my_passphrase // Sets the passphrase to
                                     // my_passphrase
```

WiFly Command Reference Manual

```
set apmode ssid <string>
```

This command sets the Soft AP mode network name (SSID) to be broadcast where *<string>* is the SSID. The maximum length of SSID can be up to 32 characters long.

Defaults

NULL

Example

```
set apmode ssid my_network           //Sets the SSID to  
                                     // my_network
```

4.3.2 broadcast Parameter set Commands

The following `set` commands that make use of the `broadcast` parameter include:

- `set broadcast address <address>`
- `set broadcast backup <address>`
- `set broadcast interval <mask>`
- `set broadcast port <value>`
- `set broadcast port <value>`
- `set broadcast port <value>`
- `set broadcast remote <value>`

set broadcast address <address>

This command sets the primary address to which the UDP hello/heartbeat message is sent, where `<address>` is an IP address in the form `<value>.<value>.<value>.<value>`, where `<value>` is a number between 0 and 255.

Default

255.255.255.255

Example

```
set broadcast address 192.168.1.50 // Sets the broadcast
// address to 192.168.1.50
```

set broadcast backup <address>

This command sets the secondary address to which the UDP hello/heartbeat message is sent, where `<address>` is an IP address in the form `<value>.<value>.<value>.<value>`, where `<value>` is a number between 0 and 255.

The secondary broadcast is also a UDP packet sent after the primary broadcast and is of 120 bytes. The secondary broadcast contains the primary broadcast (110 bytes) plus the RN module's MAC address (6 bytes) and IP address (4 bytes), for a total of 120 bytes.

Default

0.0.0.0

Example

```
set broadcast backup 192.168.1.5 // Sets the broadcast address
// to 192.168.1.5
```

WiFly Command Reference Manual

set broadcast interval <mask>

This command sets the interval at which the hello/heartbeat UDP message is sent and is specified in seconds. The value is a mask that is logically ANDed with a free-running seconds counter; if the result is all zeros, a packet is sent. For example:

- If the interval is 0x1, the RN module sends one packet every 2 seconds
- If the interval is 0x2, the RN module sends two packets every 4 seconds
- If the interval is 0x3, the RN module sends one packet every 4 seconds
- If the interval is 0x6, the RN module sends two packets every 8 seconds
- If the interval is 0x7, the RN module sends one packet every 8 seconds

The minimum interval value is 1 (every 2 seconds) and the maximum value is 0xFF (every 256 seconds). Setting the interval value to zero disables UDP broadcast messages.

Default

7

Example

```
set broadcast interval 6           // Sets the heartbeat UDP message
                                   // interval to 6 seconds
```

set broadcast port <value>

This command sets the port to which the UDP hello/heartbeat message is sent, where <value> represents the port number.

Default

55555

Example

```
set broadcast port 55555          // Sets the port to which the UDP
                                   // heartbeat is sent to 55555
```

set broadcast remote <value>

This command sets the port to which the back-up UDP hello/heartbeat message is sent, where <value> represents the port number.

Default

0

Example

```
set broadcast port 4444           // Sets the port to 44444
```


4.3.3 `comm` Parameter set Commands

The following `set` commands that make use of the `comm` parameter include:

- `set comm $ <char>`
- `set comm close <string>`
- `set comm open <string>`
- `set comm remote <string>`
- `set comm idle <value>`
- `set comm match <value> | <hex>`
- `set comm size <value>`
- `set comm time <value>`

`set comm $ <char>`

This command sets the character used to enter Command mode to `<char>`. An example of when the default character, `$`, must be changed is when the default string of `$$$`, which is used to enter Command mode, is a possible data string. It is imperative that the new character be noted. After changing and saving this setting, upon every subsequent reboot, the RN module ignores `$$$` and looks for `<char><char><char>` to enter Command mode.

Default

`$`

Example

```
set comm $ w // Sets the string to enter command mode to www
```

`set comm close <string>`

This command sets the ASCII string that is sent to the local UART when the TCP port is closed, where `<string>` is one or more characters up to a maximum of 32 (32 bytes). To prevent the use of a string, use a zero (0) as the `<string>` parameter.

Default

`*CLOS*`

Example

```
set comm close *port closed* // Set the string to *port closed*
```

WiFly Command Reference Manual

set comm open <string>

This command sets the ASCII string that is sent to the local UART when the TCP port is opened, where *<string>* is one or more characters up to a maximum of 32 (32 bytes). To prevent the use of a string, use a zero (0) as the *<string>* parameter.

Default

OPEN

Example

```
set comm open *port open*      // Set the string to *port open*
```

set comm remote <string>

This command sets the ASCII string that is sent to the remote TCP client when the TCP port is opened, where *<string>* is one or more characters up to a maximum of 32 (32 bytes). To prevent the use of a string, use a zero (0) as the *<string>* parameter.

Default

HELLO

Example

```
set comm remote *welcome*     // Set the string to *welcome*
```

set comm idle <value>

This command sets the idle timer value, where *<value>* is a decimal number representing the number of seconds. The idle timer value is the number of seconds during which no data is transmitted or received over TCP before the connection is closed automatically. Setting the timer to 0 (the default) means the RN module never disconnects when idle.

Default

0

Example

```
set comm idle 25              // Set the idle timer value to 25 seconds
```

`set comm match <value> | <hex>`

This command sets the match character, where *<value>* is a decimal number from 0 to 127 or a hex number from 0 to 7F. When this configuration option is set, the RN module sends an IP packet each time the match character appears in the data. The *<value>* is entered either as the decimal (13) or hex (0xd) equivalent of the of the ASCII character. Setting the match character to '0' disables matching.

A match character is one of three available methods that can be used to control TCP/IP packet forwarding. The other two methods are `set comm size` and `set comm time`.

For more information refer to [3.8.3.1 “UART Receiver and RTS/CTS Hardware Flow Control”](#).

Default

0

Example

```
set comm match 1 // Set the match character to a carriage return
```

`set comm size <value>`

This command sets the flush size in bytes, where *<value>* is a decimal number from 0 to 1,420 (at 9600 baud). When this configuration option is set, the RN module sends an IP packet each time *<value>* bytes are received. It is recommended that this value be as large as possible to maximize TCP/IP performance.

Flush size is one of three available methods that can be used to control TCP/IP packet forwarding. The other two methods are `set comm match` and `set comm time`.

For more information refer to [3.8.3.1 “UART Receiver and RTS/CTS Hardware Flow Control”](#).

Default

1420

Example

```
set comm size 1420 // Set the flush size to 1,420 bytes
```

WiFly Command Reference Manual

```
set comm time <value>
```

This command sets the flush timer, where *<value>* is a decimal number representing milliseconds. When this configuration option is set, the RN module sends an IP packet if no additional bytes are received for *<value>* in milliseconds. Setting this value to '0' disables forwarding based on the flush timer.

The flush timer is one of three available methods that can be used to control TCP/IP packet forwarding. The other two methods are `set comm match` and `set comm size`. For more information refer to [3.8.3.1 “UART Receiver and RTS/CTS Hardware Flow Control”](#).

Default

5

Example

```
set comm time 20           // Set the flush timer to 20 milliseconds
```

4.3.4 dhcp Parameter set Commands

The following `set` command that makes use of the `dhcp` parameter is:

- `set dhcp lease <value>`

set dhcp lease <value>

This command sets the Soft AP mode DHCP lease time to `<value>`, where `<value>` is the number of seconds. The RN module uses this value when offering the DHCP lease to each client associating with the RN module in Soft AP mode.

Default

86400

Example

```
set dhcp lease 2000 // Sets the DHCP lease to 2,000 seconds
```

WiFly Command Reference Manual

4.3.5 dns Parameter set Commands

The following `set` commands that make use of the `dns` parameter include:

- `set dns address <address>`
- `set dns name <string>`
- `set dns backup <string>`

`set dns address <address>`

This command sets the IP address of the DNS sever, where `<address>` is an IP address in the form `<value>.<value>.<value>.<value>`, where `<value>` is a number between 0 and 255. This address is automatically set when using DHCP; however, the DNS IP address must be set for static IP or automatic IP modes.

Default

0.0.0.0

Example

```
set dns address 169.64.1.1      // Set the DNS server address to
                               // 169.64.1.1
```

`set dns name <string>`

This command sets the name of the host for TCP/IP connections to `<string>`, where `<string>` is up to 32 characters (32 bytes).

Default

server1

Example

```
set dns name roving1          // Set the DNS host name to roving1
```

`set dns backup <string>`

This command sets the name of the back-up host for TCP/IP connections to `<string>`, where `<string>` is up to 32 characters (32 bytes). The FTP client uses the `backup` string to download the firmware via the `ftp update` command.

Default

rn.microchip.com

Example

```
set dns backup roving2       // Set the DNS host name to roving2
```

4.3.6 `comm` Parameter `ftp` Commands

The following `set` commands that make use of the `comm` parameter include:

- `set ftp addr <address>`
- `set ftp dir <string>`
- `set ftp filename <filename>`
- `set ftp mode <mask>`
- `set ftp remote <value>`
- `set ftp time <value>`
- `set ftp user <string>`
- `set ftp pass <string>`

`set ftp addr <address>`

This command sets the FTP server's IP address of the FTP server, where `<address>` is an IP address in the form `<value>.<value>.<value>.<value>`, where `<value>` is a number between 0 and 255.

Default

0.0.0.0

Example

```
set ftp addr 66.35.227.3      // Set the FTP server to 66.35.227.3
```

`set ftp dir <string>`

This command sets the starting directory on the FTP server, where `<string>` is up to 32 characters. To read/write to sub-folders, use the backward slash character, `\`. To indicate the root directory, use a period.

Default

public

Examples

```
set ftp dir demo            // Set FTP server starting directory to
                             // demo

set ftp dir demo\test       // Set FTP server starting directory to
                             // demo\test

set ftp dir .               // Set FTP server starting directory to
                             // the root directory
```

WiFly Command Reference Manual

set ftp filename <filename>

This command sets the name of the file that is transferred when issuing the `ftp u` command, where `<filename>` is the firmware image. If any file other than the firmware image is specified, the RN module downloads the file and issues the following error:
UPDATE FAIL=3.

Default

The default image is determined at the time the RN module is manufactured.

Example

```
set ftp filename my_data      // Sets the firmware image to be
                               // retrieved via FTP as my_data
```

set ftp mode <mask>

This command sets the FTP mode, where `<mask>` indicates active or passive mode.

Default

0x0

Example

```
set ftp mode 0x1              // Enables active FTP mode
```

set ftp remote <value>

This command sets the FTP server's remote port number, where `<value>` is the port number.

Default

21

Example

```
set ftp remote 25             // Sets the remote port of the FTP
                               // server to 25
```

set ftp time <value>

This command sets the FTP timeout value, where *<value>* is a decimal number that is five times the number of seconds required. The RN module uses this timer to close the FTP connection automatically after the specified time.

Default

200

Examples

```
set ftp timer 40           // Sets a 5-second timer
set ftp timer 80           // Sets a 10-second timer
```

set ftp user <string>

This command sets the user name for accessing the FTP server, where *<string>* is up to 16 characters (16 bytes).

Default

roving

Example

```
set ftp user my_username   // Sets the user name to my_username
```

set ftp pass <string>

This command sets the password for accessing the FTP server, where *<string>* is up to 16 characters (16 bytes).

Default

Pass123

Example

```
set ftp user my_password   // Sets the user name to my_password
```

WiFly Command Reference Manual

4.3.7 ip Parameter set Commands

The following `set` commands that make use of the `ip` parameter include:

- `set ip address <address>`
- `set ip backup <address>`
- `set ip dhcp <value>`
- `set ip flags <mask>`
- `set ip gateway <address>`
- `set ip host <address>`
- `set ip localport <value>`
- `set ip netmask <address>`
- `set ip protocol <flag>`
- `set ip remote <value>`
- `set ip tcp-mode <mask>`

set ip address <address>

This command sets the RN module's IP address, where `<address>` is an IP address in the form `<value>.<value>.<value>.<value>`, where `<value>` is a number between 0 and 255. If DHCP is turned on, the IP address is assigned and overwritten when the RN module associates with an access point. IP addresses are "." delimited.

Default

0.0.0.0

Example

```
set ip address 10.20.20.1 // Sets the RN module's IP
                        // address to 10.20.20.1
```

set ip backup <address>

This command sets a secondary host IP address, where `<address>` is an IP address in the form `<value>.<value>.<value>.<value>`, where `<value>` is a number between 0 and 255. If the primary host IP is unreachable, the RN module attempts to reach the secondary IP address (if set).

Default

0.0.0.0

Example

```
set ip backup 10.20.20.2 // Sets the RN module's secondary
                        // IP address to 10.20.20.2
```

`set ip dhcp <value>`

This command enables/disables DHCP mode, where *<value>* is a decimal number shown in [Table 4-4](#). If this parameter is set, the RN module requests and sets the IP address, gateway, netmask, and DNS server upon association with an access point. Any previously set IP information is overwritten.

TABLE 4-4: DHCP MODES

Mode	Protocol
0	Turns DHCP off. The RN module uses its stored static IP address.
1	Turns DHCP on. The RN module attempts to obtain an IP address and gateway from the access point.
2	Enables automatic IP, which is generally used on networks that do not have a DHCP server.
3	Turns on DHCP cache mode. The RN module uses a previously set IP address if the lease is not expired (or the lease survives reboot).
4	Enables DHCP server in Soft AP mode.

Using DHCP cache mode can reduce the time the RN module requires to wake from deep sleep, which saves power. The RN module checks the lease time; if it is not expired, the RN module uses the previous IP settings. If the lease has expired, the RN module attempts to associate and uses DHCP to obtain the IP settings. The DHCP cached IP address does not survive a power cycle or reset.

Default

1

Example

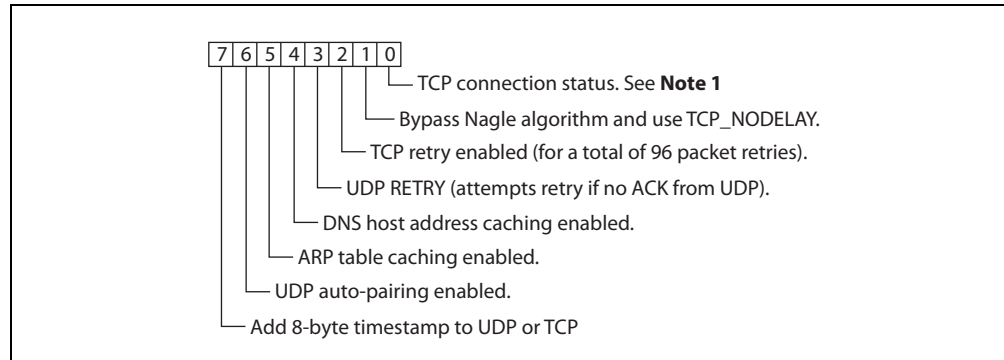
```
set ip dhcp 0           // Turns DHCP off
```

WiFly Command Reference Manual

set ip flags <mask>

This command sets the TCP/IP functions, where <mask> is a hex number referring to a bit-mapped register. See [Figure 4-1](#).

FIGURE 4-1: SET IP FLAGS COMMAND BIT-MAPPED REGISTER



Note 1: If the RN module loses the link to an associated access point while a TCP connection is active, the TCP connection may hang or be in an inconsistent state. In some cases, the TCP connection will not recover.

If bit 0 is set (default), TCP connections are kept open when the connection to the access point is lost.

If bit 0 is cleared by sending `set ip flags 0x6`, and if the RN module loses the access point connection while TCP is connected, the connection is closed.

Default

0x7

Example

```
set ip flags 0x6           // Clear bit 0
```

set ip gateway <address>

This command sets the gateway IP address, where <address> is an IP address in the form <value>.<value>.<value>.<value>, where <value> is a number between 0 and 255. If DHCP is turned on, the gateway IP address is assigned and overwritten when the RN module associates with the access point.

Default

0.0.0.0

Example

```
set ip gateway 169.254.1.1 // Sets the IP gateway to
                           // 169.254.1.1
```

set ip host <address>

This command sets the remote host's IP address, where *<address>* is an IP address in the form *<value>.<value>.<value>.<value>*, where *<value>* is a number between 0 and 255. This command can be used to make connections from the RN module to a TCP/IP server with the IP address *<address>*.

Default

0.0.0.0

Example

```
set ip host 137.57.1.1    // Sets the remote host's IP address to
                        // 137.57.1.1
```

set ip localport <value>

This command sets the local port number, where *<value>* is a decimal number representing the port.

Default

2000

Example

```
set ip localport 1025    // Sets the local port to 1025
```

set ip netmask <address>

This command sets the network mask, where *<address>* is an IP address in the form *<value>.<value>.<value>.<value>*, where *<value>* is a number between 0 and 255. If DHCP is turned on, the netmask is assigned and overwritten when the RN module associates with the access point.

Default

255.255.255.0

Example

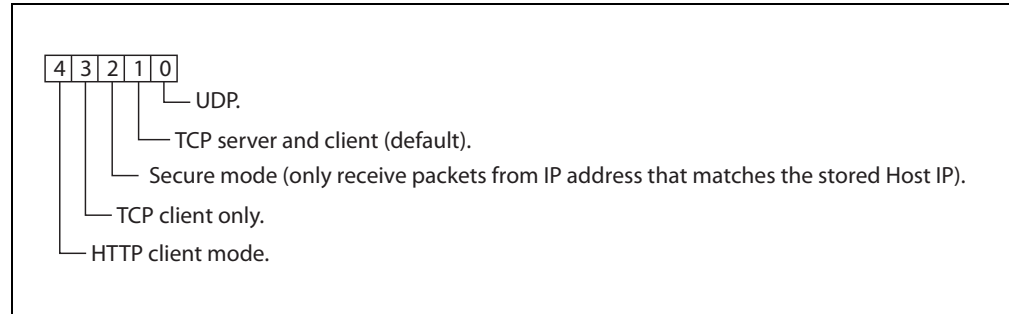
```
set ip netmask 255.255.0.0    // Sets the netmask to 255.255.0.0
```

WiFly Command Reference Manual

`set ip protocol <flag>`

This command sets the IP protocol, where *<flag>* is a bit-mapped register as shown in Figure 4-2. To connect to the RN module over TCP/IP (for example using Telnet), bit 2 of the IP protocol register must be set. For the RN module to accept both TCP and UDP, set bits 1 and 2 (value = 3).

FIGURE 4-2: SET IP PROTOCOL COMMAND BIT-MAPPED REGISTER



Default

2

Example

```
set ip protocol 18           // Enables TCP and HTTP client mode
```

`set ip remote <value>`

This command sets the remote host port number, where *<value>* is a decimal number representing the port.

Default

2000

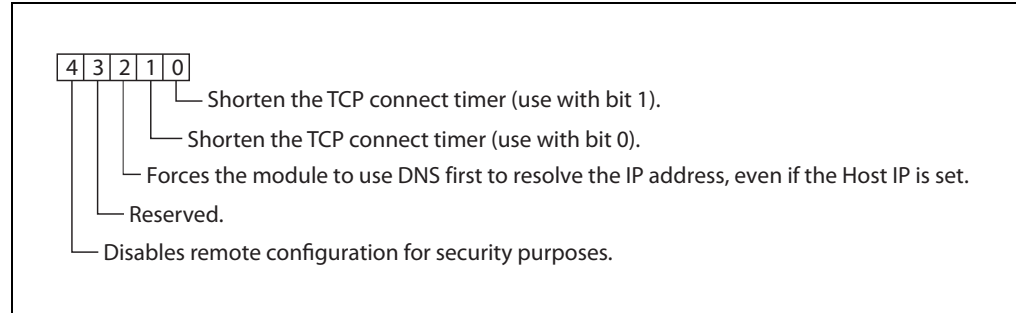
Example

```
set ip remote 1025          // Sets the remote host port to 1025
```

```
set ip tcp-mode <mask>
```

This command controls the TCP connect timers, DNS preferences, and remote configuration options. *<mask>* is a hex number referring to a bit-mapped register, as shown in [Figure 4-3](#).

FIGURE 4-3: SET IP TCP MODE COMMAND BIT-MAPPED REGISTER



Default

0x0

Examples

```
set ip tcp-mode 0x4           // Forces the RN module to use DNS
set ip tcp-mode 0x10         // Disables remote configuration
```

4.3.8 `opt` Parameter `set` Commands

The following `set` commands that make use of the `opt` parameter include:

- `set opt jointmr <value>`
- `set opt format <flag>`
- `set opt replace <value>`
- `set opt deviceid <string>`
- `set opt password <string>`
- `set opt average <value>`
- `set opt signal <value>`

`set opt jointmr <value>`

This command sets the join timer, which is the length of time (in ms) the join function waits for the access point to complete the association process. `<value>` is a decimal number representing the number of ms. This timer is also used as the time-out for the WPA handshaking process.

Default

1000

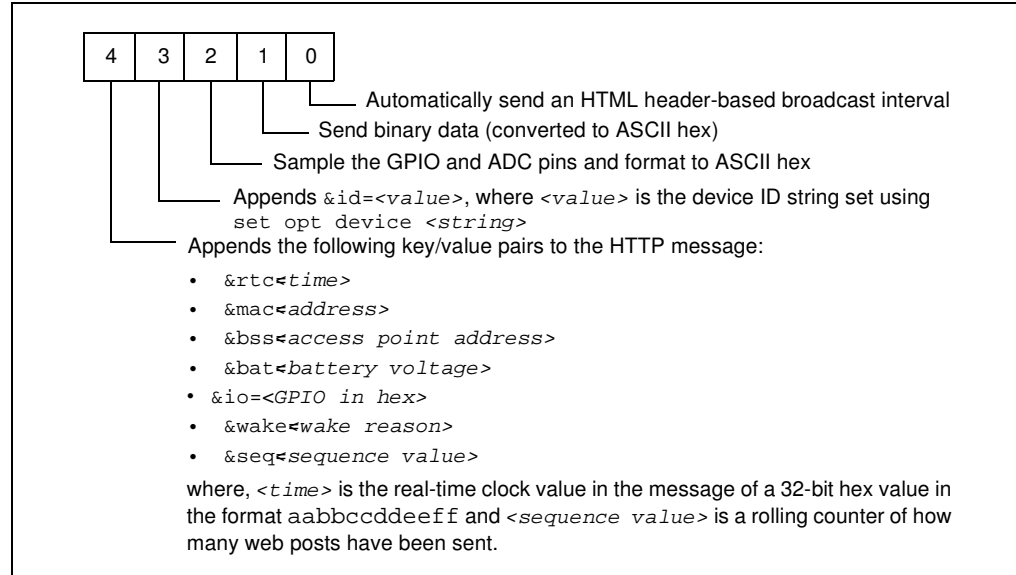
Example

```
set opt jointmr 1050 // Sets the join timer to 1,050 ms
```

set opt format <flag>

The command sets the HTTP Client/Web Server information, where <flag> is a bit-mapped register as shown in Figure 4-4. Refer to Section 3.6 “Using the HTML Client Feature” for details.

FIGURE 4-4: SET OPT FORMAT COMMAND BIT-MAPPED REGISTER



Default

0x00

Example

```
set opt format 0x7           // Module sends sensor values
```

set opt replace <value>

This command sets the replacement character used to indicate spaces in the SSID and passphrase's string, where <value> is the ASCII value of the character. Each occurrence of the replacement character is changed into a space. Only the WiFly command parser uses this replacement character.

For example, to change the replace character to the percent sign, %, use the `set opt replace 0x25` command (the ASCII value of % is 0x25).

Default

0x24

Example

```
set opt replace 0x25        // Sets the replacement character to %
```

WiFly Command Reference Manual

set opt deviceid <string>

This command sets the configurable device ID, where *<string>* can be up to 32 bytes in length. The *<string>* can be used for serial numbers, a product name, or to show other device information. The RN module sends the device ID as part of the UDP broadcast hello packet. The current device ID value can be viewed using either the `get option` or `show deviceid` commands.

Default

WiFly-GSX

Example

```
set opt deviceid my_wifly // Sets the device ID to my_wifly
```

set opt password <string>

This command sets the TCP connection password, where *<string>* can be up to 32 bytes in length. This setting provides minimal authentication by requiring any remote device that connects to the RN module to send and match the challenge *<string>*. When a connection is opened, the RN module sends the string `PASS?` to the remote host. The remote host must reply with the exact characters that match the stored password in one TCP packet; otherwise, the RN module closes the connection. To disable the password feature, use '0' (the default).

Default

"" (no password required)

Example

```
set opt password my_password // Sets the TCP connection
                             // password to my_password
```

set opt average <value>

This command sets the number of RSSI samples used to calculate the running RSSI average for the `set opt signal` command.

Default

5

Example

```
set opt average 10 // Sets the average to 10 RSSI readings
```

`set opt signal <value>`

This command enables the configuration of the threshold level for the RSSI value in Infrastructure mode. If the signal strength (RSSI) falls below *<value>* dB, the RN module declares `Soft AP is lost` and deauthenticates itself from the network. Thereafter, the RN module associates with the network based on the join policy.

This command is useful for applications in which the Wi-Fi module is in a mobile environment and frequently enters and leaves the Soft AP's range.

The recommended range for *<value>* is between 50 and 80. As *<value>* is lowered, the RN module more frequently deauthenticates itself from the Soft AP.

<p>Note: This command applies in infrastructure mode only. It is not applicable in Soft AP mode. For this feature to work properly, the link monitor must be enabled by the user.</p>
--

Default

0

Example

```
set opt signal 70           // Sets the RSSI threshold to -70 dBm. If
                             // the RSSI average falls below -70 dBm,
                             // the RN module deauthenticates itself
```

WiFly Command Reference Manual

4.3.9 q Parameter `set` Commands

The following `set` commands that make use of the q parameter include:

- `set q sensor <mask>`
- `set q power <value>`

`set q sensor <mask>`

This command specifies which sensor pins to sample when sending data using the UDP broadcast packet or the HTTP auto sample function, where *<mask>* is a bit-mapped register.

Default

0

Example

```
set q sensor 0xff           // Enables all sensor inputs
```

```
set q power <value>
```

This register automatically turns on the sensor power, where *<value>* is shown in [Table 4-5](#). This parameter sets an 8-bit register with two 4-bit nibbles. If the top nibble is set, power is applied upon power-up and removed upon power down or sleep. If the bottom nibble is set, power is applied when a sampling event occurs such as:

- UDP broadcast
- Automatic web posting of sensor data
- Power is removed immediately after sampling is complete

TABLE 4-5: SET Q POWER COMMAND SENSOR PIN VOLTAGE SETTINGS

Value	Sensor Pin Voltage
0	Turn off the sensor power.
1	Ground the sensor pin.
2	1.2V internal regulated reference.
3	VBATT input pin.
4	3.3V output of on board regulator.

Default

0

Examples

```
set q power 0x20      // Sets power to 1.2V automatically
                      // upon power-up

set q power 0x02      // Sets power to 1.2V when a
                      // sampling event occurs

set q power 0x40      // Sets power to 3.3V automatically
                      // upon power-up

set q power 0x04      // Sets power to 3.3V when a
                      // sampling event occurs
```

WiFly Command Reference Manual

4.3.10 `sys` Parameter `set` Commands

The following `set` commands that make use of the `sys` parameter include:

- `set sys autoconn <value>`
- `set sys iofunc <mask>`
- `set sys launch_string <string>`
- `set sys mask <mask>`
- `set sys printlvl <value>`
- `set sys output <mask> <mask>`
- `set sys sleep <value>`
- `set sys trigger <flag> or <mask>`
- `set sys value <mask>`
- `set sys wake <value>`
- `set sys z <value>`

`set sys autoconn <value>`

This command sets the auto-connect timer in TCP mode, where `<value>` is a decimal number from 0 to 255, as shown in Table 4-6. Setting this parameter causes the RN module to connect to the stored remote host periodically as specified by `<value>`.

Note: To use the auto-connect timer, the remote host's IP address and port must be stored in the RN module using the `set ip host <address>` and `set ip remote <value>` commands.

TABLE 4-6: AUTO-CONNECT TIMER SETTINGS

Value	Description
0	Disable the auto-connect timer (default).
1	Connect to the stored remote host immediately upon power-up or when waking from sleep.
2-254	Connect to a stored remote host every <code><value></code> seconds.
255	Connect to a stored host immediately upon power-up or when waking from sleep and go back to sleep immediately as soon as the TCP connection closes.

Default

0

Example

```
set sys autoconn 5 // The RN module connects to the host
                  // every 5 seconds
```

```
set sys iofunc <mask>
```

This command sets the I/O port alternate functions, where *<mask>* is a hex number referring to a bit-mapped register. The I/O function *<mask>* is encoded, as shown in [Table 4-7](#).

TABLE 4-7: GPIO PIN ALTERNATE FUNCTION BITMASK

Bit ⁽¹⁾	Signal Name	Direction	Function
0	GPIO4	Output	Disable the LED function so the I/O can be used as a GPIO pin.
1	GPIO5	Output	Disable the LED function so the I/O can be used as a GPIO pin.
2	GPIO6	Output	Disable the LED function so the I/O can be used as a GPIO pin.
3	Unused	—	—
4	GPIO4	Output	This pin goes high after the RN module has associated/authenticated and has an IP address.
5	GPIO5	Input	Set this pin high to trigger a TCP connection and low to disconnect.
6	GPIO6	Output	This pin goes high when the RN module is connected over TCP and low when disconnected.

Note 1: Bits 0 through 3 are mutually exclusive with bits 4 through 6. For example, 0x77 is an illegal value.

Refer to [Section 3.9.1.2 “Setting the Alternate GPIO Functions”](#) for details.

Default

0x0

Example

```
set sys iofunc 0x7 // Disables the WiFly board LEDs
```

WiFly Command Reference Manual

set sys launch_string <string>

This command sets the name of the application (indicated by <string>) that is launched when GPIO9 toggles from high-to-low after power-up (by pressing the FN button on an evaluation kit). This mechanism is used to launch valid applications, as shown in [Table 4-8](#).

TABLE 4-8: VALID APPLICATION STRINGS

<string>	Description
web_app	Launches the configuration Web Server.
wps_app	Launches the WPS application.

Note: Do not set <string> to the configuration filename or the boot firmware image. Otherwise, the RN module configuration may become corrupted and the RN module will reboot.

Setting the <string> to an invalid string such as `test` results in the following error message when the GPIO9 pin is toggled: `*test not Found*`

Note: Disable this error message by setting the print level to zero using the `set sys print 0` command.

Default

web_app

Example

```
set sys launch_string wps_app           // Sets the launch application
                                         // to WPS
```



```
set sys mask <mask>
```

This command sets the I/O port direction, where *<mask>* is a hex number referring to a bit-mapped register. Figure 4-5 shows the bits corresponding to the GPIO pins and Table 4-9 shows the GPIO pin usage, their default state, and functionality.

FIGURE 4-5: GPIO PIN BITMASK

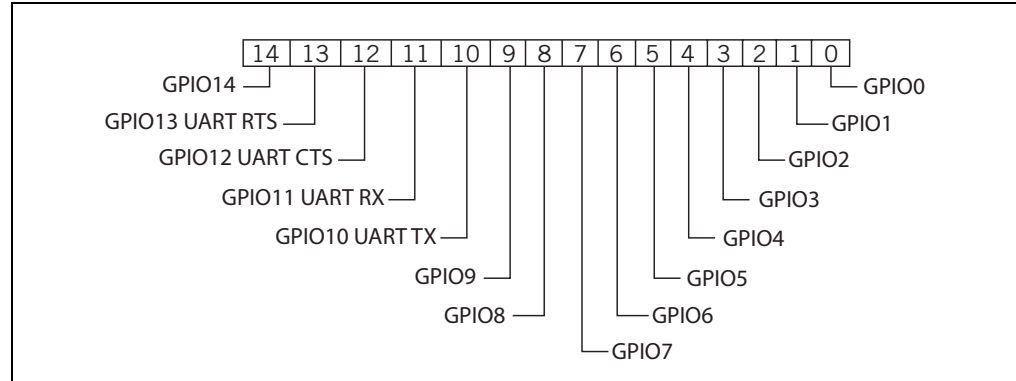


TABLE 4-9: GPIO PIN USAGE, DEFAULT STATE AND FUNCTIONALITY

Bit	Signal Name	Module Default State		Default Function
		RN131	RN171/ RN1723	
0	GPIO0	N/A	N/A	Unused.
1	GPIO1	N/A	Input	Unused.
2	GPIO2	N/A	Input	Unused.
3	GPIO3	N/A	Input	Unused.
4	GPIO4	Output	Output	Green LED.
5	GPIO5	Output	Output	Yellow LED.
6	GPIO6	Output	Output	Red LED.
7	GPIO7	Output	Output	Blue LED.
8	GPIO8	Input	Output	Unused.
9	GPIO9	Input	Input	Soft AP mode and factory reset.
10	GPIO10	Output	Output	UART TX.
11	GPIO11	Input	Input	UART RX.
12	GPIO12	Input	Input	Throttles the transmitter if hardware flow control is enabled. Driving this pin low enables transmitter; driving this pin high disables it.
13	GPIO13	Output	Output	This pin goes high on power-up and goes low when the system is ready. If hardware flow control is enabled, this pin toggles to high to indicate the RX buffer is full.
14	GPIO14	N/A	Input	Unused.

Note: On the RN174 evaluation board, the blue LED is connected to GPIO7. The blue LED is NOT connected to GPIO7 on the RN134 evaluation board. It is not possible to power off the blue LED on the RN134 board because it is connected directly to power.

WiFly Command Reference Manual

Refer to [Section 3.9.1 “Setting GPIO Direction, Alternate Functions, and Disabling LEDs”](#) for details.

Note: To set the GPIO pins as inputs or outputs instantly, use the `set sys mask 0xABCD 1` command, which does not require a reboot.

Default

0x20F0 (RN131 module)

0x21F0 (RN171/RN1723 module)

Example

```
set sys mask 0x0 // Sets all pins as inputs
```

set sys printlvl <value>

This command controls the debug print messages printed by the RN module on the UART, where <value> is one of the values shown in [Table 4-10](#). Refer to [Section 3.10 “Setting Debug Print Levels”](#) for more information.

TABLE 4-10: DEBUG PRINT MESSAGE SETTINGS

Value	Description
0	Quiet mode. Messages are not printed when the RN module wakes up or powers up.
1	Print all status messages.
2	Print only critical network access point connection level status. For example, <code>Associated!</code> or <code>Disconnect from <SSID></code> .
4	Print the DHCP and IP address status information. After verifying the RN module’s configuration, this option can be turned off so that the messages do not interfere with the data.
0x4000	Change the scan format output to a MCU-friendly format.
0x10	Enables the UART heartbeat message. Refer to Section 3.10.2 “UART Heartbeat Messages” for details.

Default

0x1

Example

```
set sys printlvl 2 // Sets the debug print messages to only
                  // critical network connection status
```

```
set sys output <mask> <mask>
```

This command sets the output GPIO pins high or low, where *<mask>* is a hex number referring to a bit-mapped register. The optional *<mask>* sets a subset of the pins.

Default

None

Example

To toggle GPIO8, use the following commands:

```
set sys mask 0x21f0           // Set GPIO8 as output
set sys output 0x0100 0x0100  // Drives GPIO8 high
set sys output 0x0000 0x0100  // Drives GPIO8 low
```

```
set sys sleep <value>
```

This command sets the sleep timer, where *<value>* is a decimal number. The sleep timer is the time (in seconds) after which the RN module goes to sleep. This timer is disabled during an open TCP connection. When the TCP connection is closed, the RN module counts down and puts the RN module to sleep after *<value>* seconds. Setting the value to '0' disables the sleep timer, and the RN module will not go to sleep based on this counter.

Note: Be sure to set the wake timer before issuing the sleep timer if an external wake-up signal is not used; otherwise, the RN module will never wake up.

Refer [Section 3.5.2 “System and Auto-Connect Timers”](#) for more information on using system timers.

Default

0

Example

```
set sys sleep 5           // Module sleeps 5 seconds after the TCP
                           // connection closes
```

WiFly Command Reference Manual

```
set sys trigger <flag> or <mask>
```

With this parameter setting, the RN module wakes from the sleep state using the sensor input 0, 1, 2, and 3, where *<flag>* is a decimal number referring to a bit-mapped register as shown in Table 4-11 and *<mask>* is a hex number. Either *<flag>* or *<mask>* can be used with this parameter setting. This command sets the sensor input(s) to wake on (0 to 3). Setting *<flag>* to '0' disables wake on sensor inputs.

TABLE 4-11: SET SYS TRIGGER COMMAND BIT-MAPPED REGISTER

Bit Position	Description
0	Trigger sensor input 0.
1	Trigger sensor input 1.
2	Trigger sensor input 2.
3	Trigger sensor input 3.
5	Enable sleep on GPIO8.

Table 4-12 describes how to wake the RN module using sensor input.

TABLE 4-12: SENSOR INPUT TRIGGER VALUES

Wake on Sensor Input	Value	Command
0	1	set sys trigger 1
1	2	set sys trigger 2
2	4	set sys trigger 4
3	8	set sys trigger 8

Setting the trigger value to 0x20 (i.e., using *<mask>*) puts the RN module to sleep when GPIO8 is pulled high. To enable this feature, use the `set sys trigger 0x20` command. This command makes GPIO8 an interrupt pin and puts the RN module to sleep as soon as it is pulled high, regardless of the RN module's state; the RN module goes to sleep even if it is associating with a network or has an open, active TCP connection.

This command is useful for when the RN module is failing to associate with network because it is out of range (or for any other reason), or if the RN module must be put to sleep quickly.

Note: The GPIO8 pin must be low on power-up and remain low until the time the RN module is to be put to sleep.

Default

0x41

Example

```
set sys trigger 0x8 // Enable wake on sensor input 3
```

set sys value <mask>

This command sets the default value of the GPIO pins' outputs upon power-up, where <mask> is a hex number representing a bit-mapped register. The GPIO pins that are configured as outputs can be driven high or low on power-up or when the RN module wakes from sleep. The default power-up states can be set ONLY for the GPIO pins that are set as outputs. Setting the value to '1' makes the default power-up state high; setting the value to '0' makes the default power-up state low.

To configure GPIO pins as outputs, use the `set sys mask <value>` command.

Note: GPIO pins 4, 5, and 6 are used by the firmware to blink the status LEDs. To set the default power-up states for these GPIO pins, their use must first be disabled by the firmware using the `set sys iofunc 0x7` command.

Default

0x0

Example

To configure power-up states of GPIO8 (output by default):

```
set sys value 0x0100 // Sets GPIO8 high upon power-up
set sys value 0x0000 // Sets GPIO8 low upon power-up
```

set sys wake <value>

This command sets the automatic wake timer, where <value> is a decimal number representing the number of seconds after which the RN module wakes from sleep. Setting <value> to '0' disables it. Refer to [Section 3.5.2 "System and Auto-Connect Timers"](#) for additional information.

Default

0

Example

```
set sys wake 5 // The RN module wakes after 5 seconds
```

set sys z <value>

This command sets the minimum doze time for the CPU when there is no work to be done. This is power-saving feature that enables the RN module to consume less power whenever there is no data to process.

Note: This command is only available on RN1723 modules.

Default

0

Example

```
set sys z 5 // Set the minimum processor doze time to 5 ms
```

WiFly Command Reference Manual

4.3.11 `time` Parameter `set` Commands

The following `set` commands that make use of the `time` parameter include:

- `set time address <address>`
- `set time port <value>`
- `set time enable <value>`
- `set time raw <value>`

`set time address <address>`

This command sets the time server address, where `<address>` is an IP address in the form `<value>.<value>.<value>.<value>`, where `<value>` is a number between 0 and 255. This command applies to SNTP servers.

Default

64.90.182.55

Example

```
set time address 208.109.78.52      // Sets the time server
                                     // address to 208.109.78.52
```

`set time port <value>`

This command sets the time server port number, where `<value>` is a decimal number. The default value of 123 is typically the SNTP server port.

Default

123

Example

```
set time port 1052                  // Sets the time server port to 1052
```

`set time enable <value>`

This parameter tells the RN module how often to fetch the time from the specified SNTP time server, where `<value>` is a decimal number representing minutes. The default (0) disables time fetching. If `<value>` is '1', the RN module fetches the time only once on power-up. If `<value>` is greater than '1', the RN module fetches the time every `<value>` minutes.

Default

0

Example

```
set time enable 5                   // The RN module fetches the time every
                                     // 5 minutes
```

set time raw <value>

This parameter setting enables the RTC raw value to be set from the console, where <value> is a decimal number in seconds. The RTC counts at 32,768 Hz.

Default

None

Example

```
set time raw 1 // Set the RTC raw value to 1 second
```

WiFly Command Reference Manual

4.3.12 `uart` Parameter `set` Commands

The following `set` commands that make use of the `uart` parameter include:

- `set uart baud <value>`
- `set uart cmdgpio <value>`
- `set uart flow <value>`
- `set uart instant <value>`
- `set uart mode <mask>`
- `set uart raw <value>`
- `set uart tx <value>`

`set uart baud <value>`

This command sets the UART baud rate, where `<value>` can be: 2400, 4800, 9600, 19200, 38400, 57600, 115200, or 230400.

Note: The RN174 evaluation board's RS-232 interface cannot exceed 230,400 baud.

Default

9600

Example

```
set uart baud 19200 // Sets the baud rate to 19,200
```

`set uart cmdgpio <value>`

This command allows the RN module to be placed into Command mode by asserting the GPIO1 pin.

Note: This command is only available on RN1723 modules.

Default

0

Example

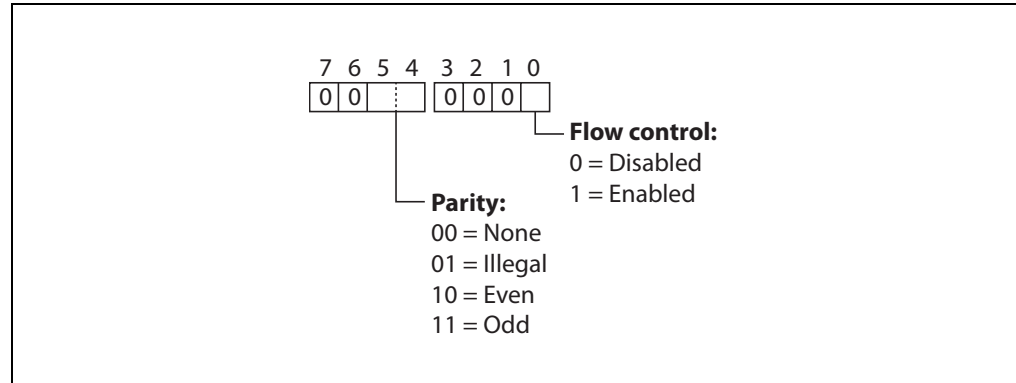
```
set uart cmdgpio 1 // Enables GPIO1 pin asserts to enter the
                  // RN module into Command mode
```



```
set uart flow <value>
```

This command sets the flow control mode and parity, where *<value>* is a hex number. The setting is in the upper nibble of the hardware flow control setting. The default is flow control disabled with parity set to None/No parity. Figure 4-6 shows the bit-mapped register.

FIGURE 4-6: SET UART FLOW BIT-MAPPED REGISTER



Note: Once flow control is enabled, it is important to drive the CTS pin properly (i.e., active-low enabled). If CTS is high, the RN module does not send data through the UART and further configuration in Command mode is problematic because no response is received.

Default

0

Examples

```
set uart flow 0x21 // Even parity with flow control
set uart flow 0x20 // Even parity without flow
set uart flow 0x31 // Odd parity with flow control
set uart flow 0x30 // Odd parity without flow control
```

WiFly Command Reference Manual

```
set uart instant <value>
```

This command immediately changes the baud rate, where *<value>* can be: 2400, 4800, 9600, 19200, 38400, 57600, 115200, or 230400. This command is useful when testing baud rate settings or when switching the baud rate “on-the-fly” while connected over TCP via Telnet. Using this command does not affect configuration. The RN module returns the `AOK` response, and then the RN module exits Command mode.

Note: The RN module does not return an `AOK` over Telnet before exiting Command mode.

If used in Local mode, the baud rate changes and the RN module sends `AOK` using the new baud rate. If the host switches to the new baud rate immediately, the host may see the `AOK` string at the new baud rate. Depending on the baud rate, it takes at least ten times the bit rate for the RN module to issue the first character.

Default

Not applicable

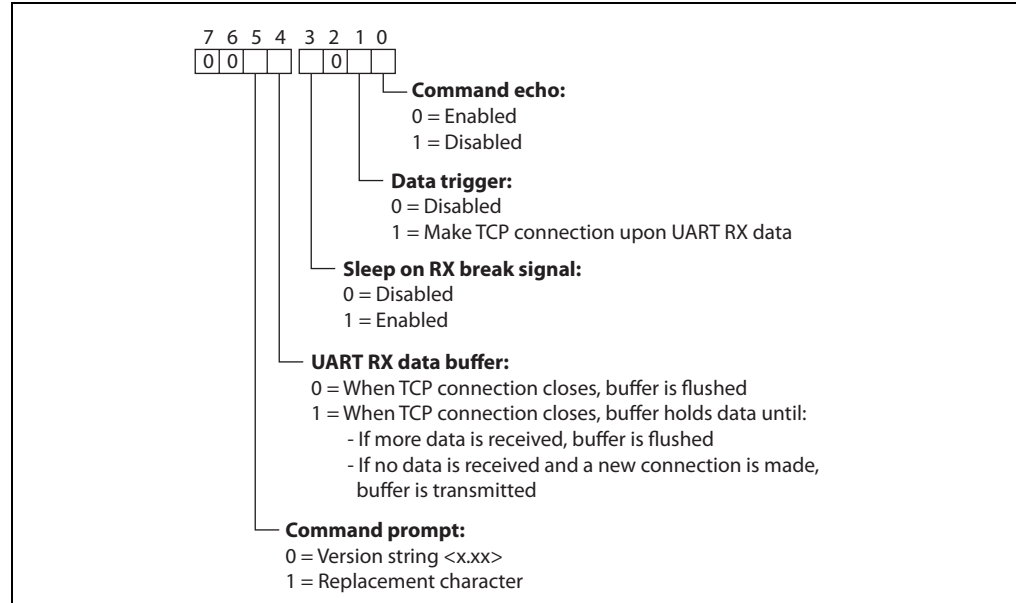
Example

```
set uart instant 19200 // Sets the baud rate to 19,200
```

```
set uart mode <mask>
```

This command sets the UART mode register, where *<mask>* is a hex number masking a bit-mapped value as shown in Figure 4-7.

FIGURE 4-7: SET UART MODE COMMAND BIT-MAPPED REGISTER



Default

0

Example

```
set uart mode 0x10          // Enable the UART data buffer
```

WiFly Command Reference Manual

set uart raw <value>

This command sets a raw UART value, where *<value>* is a decimal number representing the baud rate. This command can be used to set non-standard baud rates. The lowest possible baud rate is 2,400.

Using non-standard raw baud rates with hardware flow control can be more useful at high speeds as the microcontroller interfaced to the RN module may be able to better match the UART speed and get better results. [Table 4-13](#) shows the supported raw baud rates.

TABLE 4-13: SUPPORTED RAW BAUD RATES

Raw Baud Rate	Comment
458,333	This is 460,800.
500,000	Raw baud rate.
550,000	Raw baud rate.
611,111	Raw baud rate.
687,599	Raw baud rate.
785,714	Raw baud rate.
916,667	This is 921,600.
1,100,000	Raw baud rate.

Default

Not applicable

Example

```
set uart raw 7200 // Sets the baud rate to 7,200
```

set uart tx <value>

This command disables or enables the UART's TX pin (GPIO10), where *<value>* is '1' or '0'. Disabling the pin (*<value>* = 0) sets GPIO10 as an input with a weak pull-down.

Default

Not Applicable

Example

```
set uart tx 1 // Enable the UART's TX pin
```

4.3.13 wlan Parameter set Commands

The following `set` commands that make use of the `wlan` parameter include:

- `set wlan auth <value>`
- `set wlan channel <value> <flag>`
- `set wlan ext_antenna <value>`
- `set wlan hide <value>`
- `set wlan id <string>`
- `set wlan join <value>`
- `set wlan key <value>`
- `set wlan linkmon <value>`
- `set wlan mask <mask>`
- `set wlan number <value>`
- `set wlan passphrase <string>`
- `set wlan rate <value>`
- `set wlan ssid <string>`
- `set wlan user <string>`

`set wlan auth <value>`

This command sets the authentication mode. Table 4-14 lists the possible selections for `<value>`. This parameter should only be set if automatic join mode is used (i.e., `set wlan join 2` command).

Note: During association, the RN module interrogates the access point and automatically selects the authentication mode.

The firmware supports the following security modes:

- WEP-64 and WEP-128 (Open mode only, not Shared mode)
- WPA2-PSK (AES only)
- WPA1-PSK (TKIP only)
- WPA-PSK mixed mode (some access points, not all are supported)

TABLE 4-14: SET WLAN AUTH COMMAND AUTHENTICATION MODES

Value	Authentication Mode
0	Open (Default)
1	WEP-128
2	WPA1
3	Mixed WPA1 and WPA2-PSK
4	WPA2-PSK
5	Not used
8	WPE-64

Default

0

Example

```
set wlan auth 4 // Use WPA2-PSK authentication
```

WiFly Command Reference Manual

set wlan channel <value> <flag>

This command sets the WLAN channel, where <value> is a decimal number from 1 to 13 representing a fixed channel and <flag> is the optional character *i* (meaning immediate). If the channel is set to '0', the RN module performs a scan using the SSID for all of the channels set in the channel mask. The *i* flag allows the creation of a temporary Soft AP mode setup without having to reboot or save the settings (see **Example 2**).

Default

0

Example 1

```
set wlan channel 2 // Set the WLAN channel to 2
```

Example 2

```
set wlan channel 1 i
set wlan join 7
set ip address 1.2.3.4
set ip gateway 1.2.3.4
set ip netmask 255.255.255.0
set ip dhcp 4 // Use DHCP server
join <SSID> // Module goes into Soft AP mode
```

set wlan ext_antenna <value>

This command determines which antenna is active, where <value> is '0' (use the chip antenna) or '1' (use the U.FL connector). Only one antenna is active at a time and the RN module must be power cycled after changing the antenna setting.

<p>Note: This command applies only to the RN131 module; it is not applicable to the RN171/RN1723 module. Sending this parameter to the RN171/RN1723 module results in the error message: ERR: Bad Args.</p>
--

Default

0

Example

```
set wlan ext_antenna 1 // Use the U.FL antenna
```

set wlan hide <value>

This command hides the WEP key and WPA passphrase, where *<value>* is '0' or '1'. If this parameter is set to '0', the passphrase or pass key is displayed. If this parameter is set to '1', the RN module shows ***** for these fields when displaying the WLAN settings. To show the passphrase or pass key, re-enter the key or passphrase using the `set wlan key` or `set wlan passphrase` command.

Default

0

Example

```
set wlan hide 1           // Hide the passphrase or pass key
```

set wlan id <string>

This command sets the EAP ID. This command is reserved for future development and is unused.

set wlan join <value>

This command sets the policy for automatically associating with network access points, where *<value>* is one of the options shown in [Table 4-15](#). the RN module uses this policy on power-up, including waking up from the sleep timer.

TABLE 4-15: SET WLAN JOIN COMMAND OPTIONS

Value	Policy
0	Manual. Do not try to associate with a network automatically.
1	Try to associate with the access point that matches the stored SSID, pass key, and channel. If the channel is set to '0', the RN module will scan for the access point. (default)
2	Associate with ANY access point that has security matching the stored authentication mode. the RN module ignores the stored SSID and searches for the access point with the strongest signal. The channels that are searched can be limited by setting the channel mask.
3	Reserved.
7	Create a Soft AP network using the stored SSID, IP address, netmask, channel, etc. This mode applies only to firmware versions supporting Soft AP mode.

Default

0

Example

```
set wlan join 7           // Create a Soft AP network
```

WiFly Command Reference Manual

set wlan key <value>

This command sets the WEP-64 or WEP-128 key, where <value> is exactly 26 ASCII chars (13 bytes) in hex without the preceding 0x. Hex digits greater than none can be either uppercase or lowercase. If WPA or WPA2 is used, enter a passphrase with the `set wlan passphrase` command.

The WEP key length depends on the WEP security used (WEP-64 or WEP-128):

- WEP-64 uses a 10-character key
- WEP-128 uses a 26-character key

Default

00 00 00 00 00

Example

```
set wlan key 112233445566778899AABBCCDD // Sets the WEP key
```

set wlan linkmon <value>

This parameter is used in Infrastructure mode to detect whether the RN module is associated and in range of the access point.

This command sets the infrastructure mode link monitor timeout threshold, where <value> is a decimal number representing the number of failed scans before the RN module declares `Lost-Soft AP` and deauthenticates (e.g., when the RN module goes out of the access point's range). Setting this parameter to '1' or more causes the RN module to scan once per second for the access point with which it is associated.

If the RN module deauthenticates itself from the access point using the link monitor, it reattempts the association based on the join policy setting.

Microchip recommends setting the threshold to 30 attempts, because some access points do not always respond to probes. If this parameter is not set, there is no way to detect that an access point is no longer present until it becomes available again (if ever).

To disable the link monitor, set <value> to zero (0).

Default

30

Example

```
set wlan linkmon 5 // Set the number of scan attempts to 5
```

set wlan mask <mask>

This command sets the WLAN channel mask, which is used for scanning channels with auto-join policy 1 or 2, where *<mask>* is a hex number (bit 0 = channel 1). Reducing the number of channels scanned for association increases battery life. This setting is used when the channel is set to '0'.

Default

0x1FFF (all channels)

Example

```
set wlan mask 0x0421           // Scans for channels 1, 6, and 11
```

set wlan number <value>

This command sets the WEP key number. The WEP key number must match the key number on the router or access point. It is only necessary to set this parameter when using the WEP-64 or WEP-128 security modes. This setting is not required if the WPA security mode is being used.

Default

0

Example

```
set wlan number 1             // Sets the WEP key number to 1
```

set wlan passphrase <string>

This command sets the passphrase for WPA and WPA2 security modes, where *<string>* is 1 to 64 characters (64 bytes). The passphrase is alphanumeric, and is used with the SSID to generate a unique 32-byte Pre-Shared Key (PSK), which is then hashed into a 256-bit number. When either the SSID or the passphrase is changed, the RN module recalculates and stores the PSK.

If exactly 64 characters are entered, the RN module assumes that the passphrase is an ASCII hex representation of the 32-byte PSK, and the value is simply stored.

For passphrases that contain spaces, use the replacement character *§* instead of spaces. For example, *my pass word* becomes *my§pass§word*. The replacement character can be changed using the `set opt replace` command.

Default

rubygirl

Example

```
set wlan passphrase my_password // Sets the passphrase to  
                                // my_password
```

WiFly Command Reference Manual

set wlan rate <value>

This command sets the wireless data rate, where <value> is one of the options shown in Table 4-16. Lowering the data rate increases the effective range of the RN module.

TABLE 4-16: SET WLAN RATE COMMAND OPTIONS

Value	Wireless Data Rate (Mbps/second)
0	1
1	2
2	5.5
3	11
4-7	Invalid
8	6
9	9
10	12
11	18
12	24 (default)
13	36
14	48
15	54

Default

12

Example

```
set wlan rate 13           // Set the data rate to 36 Mbps
```

set wlan ssid <string>

This command sets the SSID with which the RN module associates, where <string> is 1 to 32 characters (32 bytes).

Note: The <string> cannot contain spaces. If the SSID has spaces, use the dollar sign character, \$, to indicate the space. For example, an SSID of Data Server, becomes Data\$Server. When using the get wlan command to view the SSID, the RN module will properly displays it as:
SSID=data server.

Default

roving1

Example

```
set wlan ssid my_network   // Set the SSID to my_network
```

set wlan tx <value>

This command sets the Wi-Fi transmit power, where *<value>* is a decimal number from 1 to 12 that corresponds to 1 to 12 dBm. The default, 0, corresponds to 12 dB, which is the maximum TX power. Setting the value to '0' or '12' sets the TX power to 12 dBm.

Note: This command applies only to the RN171 and RN1723 modules, and is not applicable to the RN131. The transmit power on the RN131 is fixed to 18 dBm. Sending this parameter to the RN131 results in the error message:
ERR: Bad Args.

Default

0

Example

```
set wlan tx 11           // Set the TX power to 11 dBm
```

set wlan user <string>

This command is reserved for future development and is unused.

WiFly Command Reference Manual

4.4 GET COMMANDS

These commands begin with the keyword `get` and they display the RN module's current values. Except where noted, the `get` commands do not have any parameters. [Table 4-17](#) lists and briefly describes each command.

TABLE 4-17: GET COMMANDS

Command	Description
<code>get apmode</code>	Displays the Soft AP mode settings.
<code>get broadcast</code>	Displays the broadcast UDP address, port, and interval.
<code>get com</code>	Displays the communication settings.
<code>get dns</code>	Displays the DNS settings.
<code>get everything</code>	Displays all of the configuration settings, which is useful for debugging.
<code>get ftp</code>	Displays the FTP settings.
<code>get ip <char></code>	Displays the IP address and port number settings, where <code><char></code> is the optional parameter 'a'. Using <code><char></code> returns the current IP address.
<code>get mac</code>	Displays the device's MAC address.
<code>get option</code>	Displays the optional settings such as the device ID.
<code>get sys</code>	Displays the system settings, sleep and wake timers, etc.
<code>get time</code>	Displays the time server UDP address and port number.
<code>get wlan</code>	Displays the SSID, channel, and other WLAN settings.
<code>get uart</code>	Displays the UART settings.
<code>ver</code>	Displays the firmware version.

get apmode

This command displays the Soft AP mode settings.

Example

```
get apmode           // Show Soft AP mode settings
```

get broadcast

This command displays the broadcast UDP address, port, and interval.

Example

```
get broadcast       // Show broadcast UDP information
```

get com

This command displays the communication settings.

Example

```
get com            // Show communication settings
```

get dns

This command displays the DNS settings.

Example

```
get dns // Show the DNS information
```

get everything

This command displays all of the configuration settings, which is useful for debugging.

Example

```
get everything // Show all configuration settings
```

get ftp

This command displays the FTP settings.

Example

```
get ftp // Show the FTP settings
```

get ip <char>

This command displays the IP address and port number settings, where *<char>* is the optional parameter *a*. Using *<char>* returns the current IP address.

Example

```
get ip a // Display the current IP address
```

get mac

This command displays the device's MAC address.

Example

```
get mac // Show the MAC address
```

WiFly Command Reference Manual

get option

This command displays the optional settings such as the device ID.

Example

```
get option          // Show the optional settings
```

get sys

This command displays the system settings, sleep and wake timers, etc.

Example

```
get sys            // Show the system settings
```

get time

This command displays the time server UDP address and port number.

Example

```
get time           // Show the time server information
```

get wlan

This command displays the SSID, channel, and other WLAN settings.

Example

```
get wlan           // Show the WLAN settings
```

get uart

This command displays the UART settings.

Example

```
get uart           // Show the UART settings
```

ver

The command displays the firmware version.

Example

```
ver                // Show the firmware version
```

4.5 STATUS COMMANDS

These commands begin with the keyword `show` and return the current values of the system variables. In some cases, for example IP addresses, the current values are received from the network and may not match the stored values. Except where noted, the `show` commands do not have any parameters.

[Table 4-18](#) lists and briefly describes each status command. Detailed descriptions of each command follow the table.

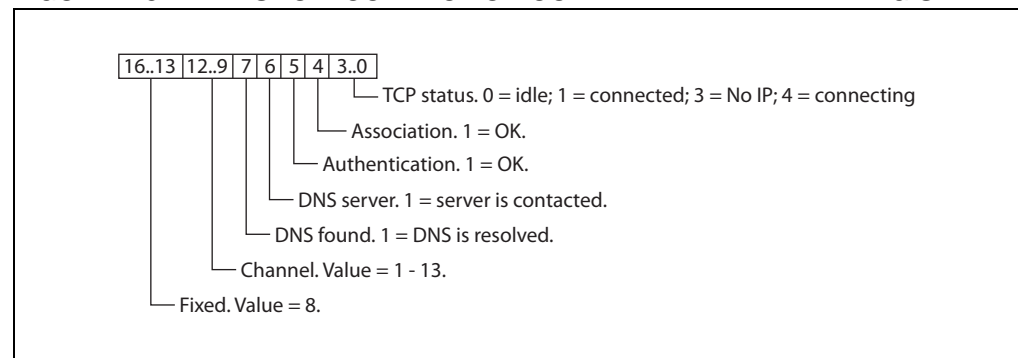
TABLE 4-18: STATUS COMMANDS

Command	Description
<code>show connection</code>	Displays the connection status in the hex format <code>8<XYZ></code> .
<code>show io</code>	Displays the GPIO pins' level status in the hex format <code>8<ABC></code> .
<code>show net <char></code>	Displays the current network status, association, authentication, etc., where <code><char></code> is the optional parameter 'n'. Using the 'n' parameter displays only the MAC address of the access point with which the RN module is currently associated.
<code>show q <value></code>	Displays the value of the analog interface pin, where <code><value></code> is 0 to 7.
<code>show q 0x1 <mask></code>	Displays multiple analog interface values simultaneously.
<code>show rssi</code>	Displays the last received signal strength.
<code>show stats</code>	Displays the current statistics, packet RX/TX counters, etc.
<code>show time</code>	Displays the number of seconds since the RN module was last powered up or rebooted.

`show connection`

This command displays the connection status in the hex format `8<XYZ>`, where `8<XYZ>` is a bit-mapped register providing the information shown in [Figure 4-8](#).

FIGURE 4-8: SHOW CONNECTION COMMAND BIT-MAPPED REGISTER



WiFly Command Reference Manual

show io

This command displays the level status of the GPIO pin in the hex format 8xxx. For example, 8103 indicates GPIO0, GPIO1, and GPIO8 are high.

Example

```
show io // Show the GPIO level status
```

show net <char>

The command displays the current network status, association, authentication, etc., where <char> is the optional parameter n. Using the n parameter displays only the MAC address of the access point with which the RN module is currently associated.

Example

```
show net n // Show the access point's MAC address
```

show q <value>

This command displays the value of the analog interface pin, where <value> is 0 to 7. The analog-to-digital reading is 14 bits with a range of 0 to 400 mV (therefore, the resolution is 24 μ V). The output is in μ V (1,000 millivolts). The RN module returns a value in the format 8xxxxx, where 'xxxxx' is the voltage in microvolts sampled on the requested channel.

Note: If a web post or UDP broadcast samples the data, the data is shifted, as described in [Section 3.5.4.3 “UDP Broadcast”](#).

Example

```
show q 0 // Show the voltage on channel 0
```

show q 0x1<mask>

This command displays multiple analog interface values simultaneously, where <mask> is a bit-mask representing the channels. For example, to read channels 0, 1, and 7, use the command: `show q 0x183`. The RN module returns `8<chan0>, 8<chan1>, 8<chan7>`.

Note: If a web post or UDP broadcast samples the data, the data is shifted, as described in [Section 3.5.4.3 “UDP Broadcast”](#).

Example

```
show q 0x183 // Show values for channel 0, 1, and 7
```

show rssi

This command displays the last received signal strength.

Example

```
show rssi                // Show signal strength
```

show stats *(Only available on RN131 and RN171 modules)*

This command displays the current statistics, packet RX/TX counters, etc. The command returns the statistics shown in [Table 4-19](#).

TABLE 4-19: DISPLAY STATISTICS

Statistic	Description
Conns	The number of TCP connections.
WRX	Number of bytes received by the RN module over TCP.
WTX	Number of bytes transmitted by the RN module over TCP.
RTRY	Total number of TCP retries.
RTRYfail	Total number of TCP retries failed.
URX	Total number of bytes received over the UART.
UTX	Total number of bytes transmitted over the UART.
RXdrop	Total number of bytes dropped by the UART.
RXerror	Total number of UART bytes received in error (parity, framing).
FlwSet	Total number of set software flow controls.
FlwClr	Total number of cleared software flow controls.
Netbuffs	Total number of dropped TCP packets.
Evt	Total number of unknown events.
Boots	Total number of module restarts.
Wdog	Total number of watchdogs.
TXon	Unused.

Example

```
show stats                // Show the statistics
```

show time

This command displays the number of seconds since the RN module was last powered up or rebooted.

Example

```
show time                // Show the number of seconds elapsed since  
                        // the last power-up
```

WiFly Command Reference Manual

4.6 ACTION COMMANDS

The `action` commands Command mode to be entered and existed, to join networks, and to perform a factor reset, among others. Except where noted, these commands do not have any parameters.

Table 4-20 lists and briefly describes each status command. Detailed descriptions of each command follow the table.

TABLE 4-20: ACTION COMMANDS

Command	Description
\$\$\$	Use this command to enter Command mode.
<code>apmode <bssid> <channel></code>	Creates a Soft AP network.
<code>close</code>	Disconnects a TCP connection.
<code>exit</code>	Exits Command mode.
<code>factory RESET</code>	Loads the factory defaults into the RN module's RAM and writes the settings to the standard configuration file. The word <code>RESET</code> must be entered using all capital letters.
<code>join <string></code>	Instructs the RN module to join the network indicated by <code><string></code> .
<code>join # <value></code>	Use this command to join a network that is shown in the scan list, where <code><value></code> is the entry number listed for the network in the scan list.
<code>leave</code>	Disconnects the RN module from the access point to which it is currently associated.
<code>lookup <string></code>	Causes the RN module to perform a DNS query for host name <code><string></code> .
<code>open <address> <value></code>	Opens a TCP connection to <code><address></code> , where <code><value></code> is the port number.
<code>ping <string> <value></code>	Pings a remote host, where <code><string></code> is a parameter setting and <code><value></code> is the number of pings. The default is 1 packet.
<code>reboot</code>	Forces the RN module to reboot (similar to a power cycle).
<code>run</code>	Runs an application using ASCII commands.
<code>scan <value> <char></code>	Performs an active probe scan of access points on all 13 channels. The default is 200 ms/channel.
<code>sleep</code>	Puts the RN module to sleep.
<code>time</code>	Sets the real-time clock by synchronizing with the time server specified with the time server (<code>set time</code>) parameters.

\$\$\$

Use this command to enter Command mode. Three dollar sign characters (\$\$\$) must be entered sequentially with no additional characters before or after each \$ character. Also, do not enter a carriage return (<cr>) after typing \$\$\$ to enter Command mode. Once the three dollar sign characters are entered, the RN module replies with `CMD` to indicate it is in Command mode. There is a 250 ms buffer before and after the \$\$\$ escape sequence. If characters are sent before or after the escape sequence within this 250 ms interval, the RN module treats them as data and passes them over the TCP or UDP socket, and the RN module will not enter Command mode.

To use a different character to enter Command mode (i.e., not \$\$\$), use with the `set comm $ <char>` command to assign a different character.

Example

```
$$$ // Enter Command mode
```

apmode <bssid> <channel>

This command creates a custom Soft AP network where <bssid> is the broadcast SSID and the <channel> is the channel on which the Soft AP network is created. Please note that the <bssid> and <channel> parameters are optional.

If no parameters are specified, the RN module does the following:

- Uses the string stored with the `set opt device_id <string>` command and appends `-xy`, where 'xy' is the last byte of the RN module's MAC address as the SSID
- Creates the Soft AP network on channel 1

<p>Note: This command does not survive power cycling. After a power cycle, the RN module behaves according to the wireless join policy determined by the <code>set wlan join <value></code> command.</p>

Example

```
apmode MyNetwork 11 // Creates a Soft AP network on channel
// 11 with SSID MyNetwork
```

close

This command disconnects a TCP connection.

Example

```
close // Close the TCP connection
```

WiFly Command Reference Manual

exit

This command exits command mode. After leaving Command mode, the RN module responds with `EXIT`.

Example

```
exit // Leave command mode
```

factory RESET

This command loads the factory defaults into the RN module's RAM and writes the settings to the standard configuration file. The word `RESET` must be entered using all capital letters. After typing this command, the RN module must be rebooted for the settings to take effect.

Example

```
factory RESET // Reset the configuration settings to the
              // factory defaults
```

join <string>

This command instructs the RN module to join the network indicated by `<string>`. If the network has security enabled, the passphrase must first be set using the `set wlan passphrase` command prior to issuing the `join` command.

Note: The `<string>` must not contain spaces. If the network SSID contains spaces, use a `$` instead of the space. For example, `MY$NETWORK` to represent My Network.

Example

To join an *unsecure* network:

```
join roving1 // Join the network roving1
```

To join a *secure* network:

```
set wlan pass rubygirl // Set the password to rubygirl
join roving1 // Join the network roving1
```

join # <value>

Use this command to join a network that is shown in the scan list, where *<value>* is the entry number listed for the network in the scan list. If the network is security enabled, the passphrase must first be set using the `set wlan passphrase` command prior to issuing the `join` command

Example

```
join # 1           // Join the network indicated by a 1 in the
                  // scan list
```

leave

This command disconnects the RN module from the access point to which it is currently associated.

Example

```
leave             // Disconnect from the access point
```

lookup <string>

This command causes the RN module to perform a DNS query, where *<string>* is the host name to search.

Example

```
lookup roving1   // Search for the host roving1
```

open <address> <value>

This command opens a TCP connection to *<address>*, where *<value>* is the port number and *<address>* is an IP address in the form *<value>.<value>.<value>.<value>*, where *<value>* is a number between 0 and 255. If the *<address>* and *<value>* parameters are not used, the RN module attempts to connect to the stored remote host IP address and remote port number. The *<address>* parameter can also be a DNS host name that the RN module attempts to resolve.

Default

Stored remote IP address and port number.

Example

```
open 10.20.20.62 2000 // Open a connection to 10.20.20.62
                    // on port 2000
```

WiFly Command Reference Manual

ping *<string>* *<value>* (Only available on RN131 and RN171 modules)

This command pings a remote host, where *<string>* is one of the parameters shown in Table 4-21 and *<value>* is the number of pings to send. By default, the RN module sends 1 packet. The optional *<value>* sends *<value>* pings, at 10 per second.

TABLE 4-21: PING COMMAND PARAMETER OPTIONS

Option	Description
g	This option pings the gateway. The gateway IP address is loaded if DHCP is turned on; otherwise, it must be set using the <code>set ip gateway <address></code> command.
h	This option pings the stored host IP address. The host IP address can be set using the <code>set ip host <address></code> command.
i	This option pings a known Internet server, www.neelum.com , by first resolving the URL. This option is useful to demonstrate that DNS is working and that the device has Internet connectivity.
0	This option terminates a previously issued <code>ping</code> command.
<i><address></i>	Ping a remote host where <i><address></i> is an IP address in the form <i><value>.<value>.<value>.<value></i> , where <i><value></i> is a number between 0 and 255.

Default

1 packet

Example

```
ping 10.20.20.12 10 // Ping 10.20.20.12 10 times
```

ping d<domain>

This command uses Domain Name Service (DNS) to resolve the domain name during a ping.

Default

NULL

Example

```
ping google.com // Resolves google.com to an IP address
                // and pings
```

reboot

This command forces the RN module to reboot (similar to a power cycle).

Example

```
reboot // Reboot the RN module
```

run <string>

This command is used to run an application using ASCII commands, where *<string>* is `web_app` or `wps_app`.

Examples

```
run web_app      // Runs the configuration Web Server
run wps_app      // Runs the WPS application
```

scan <value> <char>

This command performs an active probe scan of access points on all 13 channels, where *<value>* is an optional parameter representing the time in milliseconds per channel. The parameter *<char>* represents the optional parameter P, which causes the RN module to perform a passive scan, and list all access points it can see in passive mode.

When using this command, the RN module returns the MAC address, signal strength, SSID name, and security mode of the access points it finds. The default scan time is 200 ms per channel or approximately three seconds. Refer to [Section 3.10.1 “Scan Output Format”](#) for more information on the format of the `scan` command output.

Default

200 ms/channel

Example

```
scan 30          // Scan for 30 ms/channel
```

sleep

This command puts the RN module to sleep. The RN module can be woken by sending characters over the UART or by using the wake timer.

Example

```
sleep           // Put the RN module to sleep
```

time

This command sets the real-time clock by synchronizing with the time server specified with the time server (`set time`) parameters. This command sends a UDP time server request packet.

Example

```
time           // Set the real-time clock
```

WiFly Command Reference Manual

4.7 FILE I/O COMMANDS

The file I/O commands can be used to save, load, delete, and update configurations and other files.

Table 4-22 lists and briefly describes each status command. Detailed descriptions of each command follow the table.

TABLE 4-22: FILE I/O COMMANDS

Command	Description
<code>del <string> <value></code>	Deletes a file.
<code>load <string></code>	Reads in a new configuration file.
<code>ls</code>	Displays the files in the system.
<code>save <string></code>	Saves the configuration settings to a file.
<code>boot image <value></code>	Makes a file represented by <code><value></code> the new boot image.
<code>ftp update <string></code>	Deletes the back-up image file, retrieves a new image file, and updates the boot pointer to the new image.
<code>xmodem cu <filename></code>	Updates the boot image using the xmodem 1K protocol over UART.

del <string> <value>

This command deletes a file, where `<string>` is the filename and `<value>` is an optional number that overrides the name and uses the sector number displayed by the `ls` command.

Example

```
del my_old_config // Delete the file my_old_config
```

load <string>

This command reads in a new configuration file, where `<string>` is the file name.

Example

```
load my_config // Load the file my_config
```

ls

This command displays the files in the system.

Example

```
ls // Display the files in the system
```

save <string>

This command saves the configuration settings to a file, where *<string>* is an optional filename. If a file name is not specified, the RN module saves the settings to a file named `config` (default).

Default

`config`

Examples

```
save                // Saves the configuration settings to the
                   // config file

save my_config      // Saves the settings to the my_config file
```

boot image <value>

This command makes a file represented by *<value>* the new boot image.

Example

```
boot image 55      // Set the new boot image to a file
                   // represented by filename 55
```

Note: After changing the boot pointer to the new image, the RN module must be rebooted to boot up with the new image. After the RN module boots up with the new image, a factory reset must be performed on the RN module to initialize all of the parameters to the factory default settings. Once reset, the parameters can be reinitialized as required.

ftp update <string>

This command retrieves a new image file, and updates the boot pointer to the new image, where *<string>* is the new image file to retrieve. Refer to [Section 3.14.1 “Upgrading Firmware Via FTP”](#) for more information.

Example

```
ftp update wifly3-400.img    // Retrieve version 4.0 firmware (RN131)
```

WiFly Command Reference Manual

xmodem <option>update <string>

This command adds the capability to update the firmware over UART using the xmodem 1K protocol, where <option> is:

- **u** – Download firmware and set as boot image <filename> is the name of the firmware (.img or .mif file)
- **c** – Clean the file system option before performing a firmware update over FTP. This will delete all the files on the Flash file system (including user-defined configuration files) except the current boot image and the factory default boot image (sector number 2)

Prerequisites

- The RN module must have the following firmware version:
 - RN131 and RN171 (4.40 or later)
 - RN1723 (1.00 or later)
- The personal computer must have a local copy of a .img or .mif firmware file. The .img file always contains a single RN module firmware application. The .mif file may contain module firmware and other application(s) such as web_app, wps_app and/or custom files

Default

NULL

Example

```
xmodem cupdate wifly7-440.mif // Clean file system and upload
                               // upload wifly7-440.mif firmware
                               // over UART
```

Index

A	
access point	
associating	27
scan for	143
action commands	138
alternate functions	111
alternate GPIO functions	58
analog interface pin value	136
analog interface values, show multiple	136
analog sensor	74
analog-to-digital converter	48
auto-connect timer	110
auto-connect timers	41
automatic connections	38
auto-pairing, UDP	44
auto-wake timer	117
B	
baud rates	124
bit	24
bit-mapped register	
ip flags	100
ip protocol	102
ip tcp-mode	103
opt format	105
show connection	135
sys trigger	116
uart mode	123
boot image	145
broadcast, packet byte format	45
broadcast, UDP	44
browser disconnect timer	37
C	
channel mask	129
clock, real-time	61
close	139
close string	89
command mode	139
command character setting	89
exit	140
commands	
overview	78
reboot after	78
set	79
shorthand	77
syntax	77
types	78
configuration	19
using a configuration Web Server	33
configuration Web Server	
configure module	33
configuration Web server	32
start in hardware	32
start in software	32
configuration web server	31
LED status	33
set sys launch_string	112
using	31
connect to module in AP mode	64
connection	
automatic	38
display status	135
making	38
open	38
timer	45
to FTP server	51
to Web server	47
connections	
making	27
controlling connections	40
CTS pin	121
Customer Notification Service	8
Customer Support	8
D	
debug messages	114
debug print levels	59
debug print message	114
debugging	59
del	144
device ID setting	106
DHCP modes	99
display	
all settings	133
analog pin value	136
broadcast settings	132
communication settings	132
connection status	135
firmware version	134
multiple analog interface values	136
network status	136
optional settings	134
signal strength	137
statistics	137
system settings	134
time server settings	134
DNS	
display settings	133
name setting	94
name setting, back-up	94
query command	141
server setting	94
using settings	39

WiFly Command Reference Manual

documentation		
conventions	6	
layout	5	
E		
enabling soft AP mode	63	
escape buffer (\$\$\$)	14	
evaluation board		
RN134	53, 54, 57, 120	
RN134, blue LED	56	
RN174	53, 54, 57	
RN174, blue LED	56	
exit	140	
F		
factory reset	140	
file		
boot image	145	
delete	144	
ftp update	145	
load	144	
ls	144	
save	145	
file I/O commands	144	
files		
create on FTP server	51	
get from FTP server	52	
firmware		
display version	134	
firmware upgrade	69	
flow control	55, 121	
flush size setting	91	
flush timer setting	92	
FTP		
client	51	
connect to	51	
create files on server	51	
display settings	133	
filename setting	96	
get files form server	52	
mode setting	96	
password	97	
remote port number setting	96	
server setting	95	
starting directory	95	
timeout setting	97	
update	145	
upgrading firmware	67	
username setting	97	
G		
get		
broadcast	132	
com	132	
dns	133	
everything	133	
ftp	133	
ip	133	
mac	133	
option	134	
sys	134	
time	134	
uart	134	
wlan	134	
get commands	132	
GPIO		
alternate functions	56, 111	
controlling connections with	40	
default power-up value setting	117	
disable LEDs	56	
output setting	115	
pin bitmask	57, 113	
pin usage	57, 113	
set as inputs or outputs instantly	114	
setting alternate functions	58	
setting direction	56	
show pin level status	136	
soft AP mode alternative functions	66	
GPIO10	124	
GPIO4	117	
GPIO5	39, 117	
GPIO6	39, 117	
GPIO8	116	
GPIO9		
invoking configuration Web server	32	
H		
hardware		
start configuration Web server	32	
hardware flow control	55	
heartbeat, UART	60	
hello string	90	
home network	28	
HTML		
built-in modes	46	
client example	49, 50	
connect to server	47	
post binary data	48	
post sensor data	48	
retrieve data	46	
using client	46	
HTTP Client/Web server setting	105	
I		
I/O alternate functions	111	
I/O port direction setting	113	
idle timer	37, 41	
inputs, sensor	74	
IP		
address setting	98	
address setting, back-up	98	
DHCP setting	99	
display settings	133	
gateway setting	100	
host setting	101	
local port setting	101	
netmask setting	101	
protocol setting	102	
remote port setting	102	
TCP settings	103	
TCP/IP functions	100	
using back-up	39	

J	
join	140
join #	141
join timer	104
L	
last device connected in AP mode	65
launch	
web application	112
WPS application	30, 112
leave	141
LEDs	
configuration web server	33
disable	56
link monitor	128
load	144
load configuration file	144
lookup	141
ls	144
M	
MAC, display settings	133
making connections	27, 38
match character setting	91
module	
accepting data	53
connect to remote host	42
disconnect from AP	141
factory reset	140
reboot	142
sleep	53
wake	53
Module Configuration tab	37
N	
Network Configuration tab	35
network status, show	136
network, join	140
network, joining	27
O	
open	141
open connection	38
open string	90
optional settings, display	134
P	
packets, time stamping	62
parity	121, 124
passphrase	129
passphrase, show or hide	127
ping	142
pin-level status, show	136
power, sensor	75
power-up, GPIO default setting	117
print functions	59
print messages, setting	114
R	
raw baud rates	124
real-time clock	41, 61
real-time clock setting	143
reboot	142
Recommended Reading	7
replacement character	105
RN modules	
comparing	11
features	12
RN131 module	11, 126
antenna	12
data sheet	7
default FTP parameter	22
default GPIO state	57
default mask	56
default system parameter	23
default wlan parameter	24
evaluation kit user's guide	7
GPIO pins	12
SSID	32, 63
ultra-low power	12
RN171 module	11, 126
antenna	12
data sheet	7
default FTP parameter	22
default GPIO state	57
default mask	56
default system parameter	23
evaluation kit user's guide	7
GPIO pins	12
SSID	32, 63
ultra-low power	12
RN1723 module	11, 126
antenna	12
data sheet	7
default FTP parameter	22
default GPIO state	57
default mask	56
default system parameter	23
evaluation kit user's guide	7
GPIO pins	12
SSID	32, 63
ultra-low power	12
RSSI	
set sample number	106
set threshold	107
RSSI, show	137
RTC	41, 61, 119
RTS/CTS	55
S	
sample sensor pins	74
save	145
scan	143
security modes	125
sensor	74
input trigger values	116
pin voltage settings	109
post data to web	48
post data to web example	49
power	75, 109
sample pins	74
setting pins to sample	108
wake on input	54
set	

WiFly Command Reference Manual

broadcast address	85	uart flow	121
broadcast backup	87	uart instant	122
broadcast interval	88	uart mode	123
broadcast port	88	uart raw	124
broadcast remote	88	uart tx	124
comm \$	89	wlan auth	125
comm close	89	wlan channel	126
comm idle	90	wlan ext_antenna	126
comm match	91	wlan hide	127
comm open	90	wlan join	127
comm remote	90	wlan key	128
comm size	91	wlan linkmon	128
comm time	92	wlan mask	129
dns address	94	wlan phrase	129
dns backup	94	wlan rate	130
dns name	94	wlan ssid	130
ftp addr	95	wlan tx	131
ftp dir	95	set commands	79
ftp filename	96	settings, debug print message	114
ftp mode	96	shorthand	77
ftp pass	97	show	
ftp remote	96	connection	135
ftp time	97	io	136
ftp user	97	net	136
ip address	98	q	136
ip backup	98	q 0x1	136
ip dhcp	99	rssi	137
ip flags	100	stats	137
ip gateway	100	time	137
ip host	101	show signal strength	137
ip localport	101	signal strength, show	137
ip netmask	101	sleep	53, 143
ip protocol	102	UDP	45
ip remote	102	sleep timer	41, 115
ip tcp-mode	103	SNTP	61, 118
opt average	106	soft AP mode	63
opt deviceid	106	apmode command	139
opt format	105	beacon	84
opt jointmr	104	connect to module	64
opt password	106	default settings	63
opt replace	105	display settings	132
opt signal	107	enable in hardware	63
q power	109	enable in software	64
q sensor	108	enabling	63
sys autoconn	110	GPIO alternative functions	66
sys autosleep	111	last device connected	65
sys iofunc	111	link monitor	66
sys launch_string	112	link_monitor	85
sys mask	113	passphrase	85
sys output	115	probe	84
sys printlvl	114	reboot	85
sys sleep	115	route data between clients	66
sys trigger	116	view associated devices	65
sys value	117	software	
sys wake	117	start configuration Web server	32
time address	118	SSID	
time enable	118	replacement character	105
time port	118	setting	130
time raw	119	statistics, show	137
uart baud	120	status commands	135

supported access points	12	sleep	45
system settings, display	134	UDP heartbeat	87, 88
system timers	41	port setting	88
T		secondary address.....	87
TCP		using configuration web server	31
close connection	43, 139	using GPIO9.....	32
connection password	106	V	
connection timer	42	ver	134
open connection	42	view associated devices, soft AP mode	65
open connection command.....	141	voltage, sensor pins	109
Terminal tab	36	W	
time	143	wake	53
time server, display settings.....	134	wake timer	41
time since mode was last powered or booted	137	wake, on sensor input	54
time stamping	62	wake, on UART activity	54
timer		web application	
auto-connect	110	launch	112
auto-wake	117	web server	
browser disconnect.....	37	connect automatically	47
configuration web server.....	37	post binary	48
connection	45	retrieve data	46
idle	37	web server, configuration	31
sleep	115	WEP key	128
TCP connection	42	WEP-128.....	125
transitions	41	Wi-Fi protected setup	28
timer server port setting	118	Wi-Fi, transmit power setting.....	131
timers	41	wireless data rate, setting	130
trigger, wakeup setting.....	116	WLAN	
U		authentication setting	125
UART		channel mask setting	129
baud setting	120	channel setting.....	126
connect to web server.....	47	display settings	134
display settings	134	external antenna setting.....	126
flow control.....	55, 121	hide WEP key setting	127
GPIO10.....	124	join setting.....	127
heartbeat messages	60	link monitor setting	128
instant baud change setting	122	passkey setting	128
mode setting	123	passphrase setting.....	129
posting data to web example	50	SSID setting	130
raw setting	124	Wi-Fi transmit power setting	131
TX pin setting.....	124	wireless data rate setting	130
wake on activity	54	WPA1	125
UDP		WPA2-PSK.....	125
auto-pairing	44	WPE-64.....	125
broadcast	44	WPS	28
retry.....	44	launch application	30, 112
sending data	43		

WiFly Command Reference Manual

NOTES:

NOTES:



MICROCHIP

Worldwide Sales and Service

AMERICAS

Corporate Office

2355 West Chandler Blvd.
Chandler, AZ 85224-6199
Tel: 480-792-7200
Fax: 480-792-7277
Technical Support:
<http://www.microchip.com/support>

Web Address:
www.microchip.com

Atlanta

Duluth, GA
Tel: 678-957-9614
Fax: 678-957-1455

Austin, TX

Tel: 512-257-3370

Boston

Westborough, MA
Tel: 774-760-0087
Fax: 774-760-0088

Chicago

Itasca, IL
Tel: 630-285-0071
Fax: 630-285-0075

Cleveland

Independence, OH
Tel: 216-447-0464
Fax: 216-447-0643

Dallas

Addison, TX
Tel: 972-818-7423
Fax: 972-818-2924

Detroit

Novi, MI
Tel: 248-848-4000

Houston, TX

Tel: 281-894-5983

Indianapolis

Noblesville, IN
Tel: 317-773-8323
Fax: 317-773-5453

Los Angeles

Mission Viejo, CA
Tel: 949-462-9523
Fax: 949-462-9608

New York, NY

Tel: 631-435-6000

San Jose, CA

Tel: 408-735-9110

Canada - Toronto

Tel: 905-673-0699
Fax: 905-673-6509

ASIA/PACIFIC

Asia Pacific Office

Suites 3707-14, 37th Floor
Tower 6, The Gateway
Harbour City, Kowloon

Hong Kong

Tel: 852-2943-5100
Fax: 852-2401-3431

Australia - Sydney

Tel: 61-2-9868-6733
Fax: 61-2-9868-6755

China - Beijing

Tel: 86-10-8569-7000
Fax: 86-10-8528-2104

China - Chengdu

Tel: 86-28-8665-5511
Fax: 86-28-8665-7889

China - Chongqing

Tel: 86-23-8980-9588
Fax: 86-23-8980-9500

China - Dongguan

Tel: 86-769-8702-9880

China - Hangzhou

Tel: 86-571-8792-8115
Fax: 86-571-8792-8116

China - Hong Kong SAR

Tel: 852-2943-5100
Fax: 852-2401-3431

China - Nanjing

Tel: 86-25-8473-2460
Fax: 86-25-8473-2470

China - Qingdao

Tel: 86-532-8502-7355
Fax: 86-532-8502-7205

China - Shanghai

Tel: 86-21-5407-5533
Fax: 86-21-5407-5066

China - Shenyang

Tel: 86-24-2334-2829
Fax: 86-24-2334-2393

China - Shenzhen

Tel: 86-755-8864-2200
Fax: 86-755-8203-1760

China - Wuhan

Tel: 86-27-5980-5300
Fax: 86-27-5980-5118

China - Xian

Tel: 86-29-8833-7252
Fax: 86-29-8833-7256

ASIA/PACIFIC

China - Xiamen

Tel: 86-592-2388138
Fax: 86-592-2388130

China - Zhuhai

Tel: 86-756-3210040
Fax: 86-756-3210049

India - Bangalore

Tel: 91-80-3090-4444
Fax: 91-80-3090-4123

India - New Delhi

Tel: 91-11-4160-8631
Fax: 91-11-4160-8632

India - Pune

Tel: 91-20-3019-1500

Japan - Osaka

Tel: 81-6-6152-7160
Fax: 81-6-6152-9310

Japan - Tokyo

Tel: 81-3-6880-3770
Fax: 81-3-6880-3771

Korea - Daegu

Tel: 82-53-744-4301
Fax: 82-53-744-4302

Korea - Seoul

Tel: 82-2-554-7200
Fax: 82-2-558-5932 or
82-2-558-5934

Malaysia - Kuala Lumpur

Tel: 60-3-6201-9857
Fax: 60-3-6201-9859

Malaysia - Penang

Tel: 60-4-227-8870
Fax: 60-4-227-4068

Philippines - Manila

Tel: 63-2-634-9065
Fax: 63-2-634-9069

Singapore

Tel: 65-6334-8870
Fax: 65-6334-8850

Taiwan - Hsin Chu

Tel: 886-3-5778-366
Fax: 886-3-5770-955

Taiwan - Kaohsiung

Tel: 886-7-213-7828

Taiwan - Taipei

Tel: 886-2-2508-8600
Fax: 886-2-2508-0102

Thailand - Bangkok

Tel: 66-2-694-1351
Fax: 66-2-694-1350

EUROPE

Austria - Wels

Tel: 43-7242-2244-39
Fax: 43-7242-2244-393

Denmark - Copenhagen

Tel: 45-4450-2828
Fax: 45-4485-2829

France - Paris

Tel: 33-1-69-53-63-20
Fax: 33-1-69-30-90-79

Germany - Dusseldorf

Tel: 49-2129-3766400

Germany - Karlsruhe

Tel: 49-721-625370

Germany - Munich

Tel: 49-89-627-144-0
Fax: 49-89-627-144-44

Italy - Milan

Tel: 39-0331-742611
Fax: 39-0331-466781

Italy - Venice

Tel: 39-049-7625286

Netherlands - Drunen

Tel: 31-416-690399
Fax: 31-416-690340

Poland - Warsaw

Tel: 48-22-3325737

Spain - Madrid

Tel: 34-91-708-08-90
Fax: 34-91-708-08-91

Sweden - Stockholm

Tel: 46-8-5090-4654

UK - Wokingham

Tel: 44-118-921-5800
Fax: 44-118-921-5820

07/14/15