



TF215

Preliminary

JFET

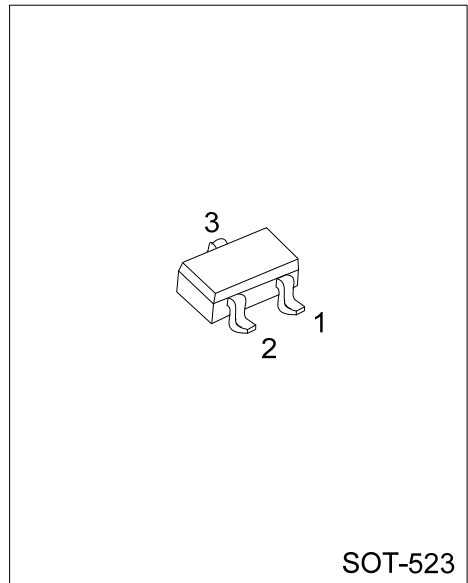
N-CHANNEL JUNCTION FIELD EFFECT TRANSISTOR

DESCRIPTION

The UTC TF215 is an N-channel junction field effect transistor, and it can be specially used in electronic condenser microphone.

FEATURES

- * Good voltage characteristics and transient characteristics.
- * Halogen Free



ORDERING INFORMATION

Ordering Number	Package	Pin Assignment			Packing
		1	2	3	
TF215G-x-AN3-R	SOT-523	S	D	G	Tape Reel

<p>TF215G-x-AN3-R</p> <p>(1)Packing Type (2)Package Type (3)Rank (4)Halogen Free</p>	<p>(1) R: Tape Reel (2) AN3: SOT-523 (3) x: refer to Classification of I_{DSS} (4) G: Halogen Free</p>
--	--

MARKING

TF215-D4	TF215-D5

■ ABSOLUTE MAXIMUM RATING (Ta=25°C, unless otherwise specified)

PARAMETER	SYMBOL	RATINGS	UNIT
Gate to Drain Voltage	V_{GDO}	-20	V
Gate Current	I_G	10	mA
Drain Current	I_D	1	mA
Power Dissipation	P_D	100	mW
Junction Temperature	T_J	150	°C
Storage Temperature	T_{STG}	-55~+150	°C

Note: Absolute maximum ratings are those values beyond which the device could be permanently damaged. Absolute maximum ratings are stress ratings only and functional device operation is not implied.

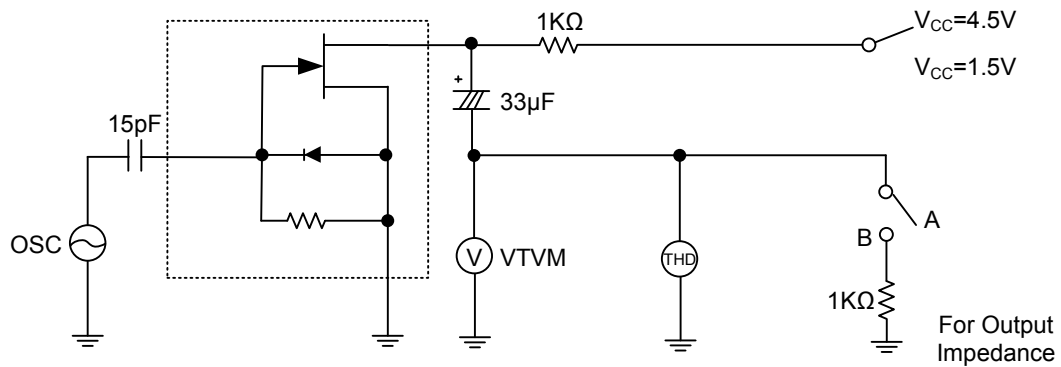
■ ELECTRICAL CHARACTERISTICS (Ta=25°C, unless otherwise specified)

PARAMETER	SYMBOL	TEST CONDITIONS	MIN	TYP	MAX	UNIT
G-D Breakdown Voltage	BV_{GDO}	$I_G=-100\mu A$	-20			V
Gate Off Voltage	$V_{GS(OFF)}$	$V_{DS}=5.0V, I_D=1\mu A$	-0.2	-0.6	-1.0	V
Drain Current	I_{DSS}	$V_{DS}=5.0V, V_{GS}=0$	140		350	μA
Forward Transfer Admittance	$ Y_{FS} $	$V_{DS}=2.0V, V_{GS}=0, f=1KHz$	0.8	1.2		mS
Input Capacitance	CISS	$V_{DS}=5.0V, V_{GS}=0, f=1MHz$		3.5		pF
Reverse Transfer Capacitance	CRSS	$V_{DS}=5.0V, V_{GS}=0, f=1MHz$		0.65		pF
Voltage Gain	G_V	$V_{IN}=10mV, f=1KHz$		-3.0		dB
Reduced Voltage Characteristic	ΔG_{VV}	$V_{IN}=10mV, f=1KHz, V_{CC}=4.5 \rightarrow 1.5V$		-1.2	-3.5	dB
Frequency Characteristic	ΔG_{Vf}	$f=1KHz \sim 110Hz$			-1.0	dB
Input Resistance	Z_{IN}	$f=1KHz$	25			M Ω
Output Resistance	Z_O	$f=1KHz$		1000		Ω
Total Harmonic Distortion	THD	$V_{IN}=30mV, f=1KHz$		1.2		%
Output Noise Voltage	V_{NO}	$V_{IN}=0, A$ Curve			-110	dB

■ CLASSIFICATION OF I_{DSS}

RANK	D4	D5
RANGE	140-240	210-350

■ TEST CIRCUIT (Ta=25°C)



UTC assumes no responsibility for equipment failures that result from using products at values that exceed, even momentarily, rated values (such as maximum ratings, operating condition ranges, or other parameters) listed in products specifications of any and all UTC products described or contained herein. UTC products are not designed for use in life support appliances, devices or systems where malfunction of these products can be reasonably expected to result in personal injury. Reproduction in whole or in part is prohibited without the prior written consent of the copyright owner. The information presented in this document does not form part of any quotation or contract, is believed to be accurate and reliable and may be changed without notice.