

SIDA130 SERIES

130W Desktop (or Mounting Tab) Power Supply for Industrial Equipment



- Wide Input Voltage 90 to 260 VAC, 47 to 63Hz
- Single and Dual Output
- Optional output connector plug
- Output voltage available from 3 VDC to 55 VDC
- Input Surge Current and Overload protection
- Active Power Factor Correction
- Option: Mounting Tab or Desktop
- Long Hold Up Time (50ms)
- Operating temperature -20~70°C
- Class I Insulation
- Cooling Fan Included

3 Year Warranty

Approvals: UL US CBCE CE CCC PSE JET RoHS

Single Output

Product Number	Output Voltage	Output Current	Total Regulation	Maximum Output Power
SIDA130-S01	3 - 5 VDC	30.00 - 18.00 A	7%	90W
SIDA130-S02	5 - 6 VDC	23.00 - 19.16 A	7%	115W
SIDA130-S03	6 - 8 VDC	21.60 - 16.25 A	7%	130W
SIDA130-S04	8 - 11 VDC	16.25 - 11.80 A	5%	130W
SIDA130-S05	11 - 13 VDC	11.80 - 10.00 A	5%	130W
SIDA130-S06	13 - 16 VDC	10.00 - 8.12 A	5%	130W
SIDA130-S07	16 - 21 VDC	8.12 - 6.19 A	5%	130W
SIDA130-S08	21 - 27 VDC	6.19 - 4.81 A	5%	130W
SIDA130-S09	27 - 33 VDC	4.81 - 3.93 A	5%	130W
SIDA130-S10	33 - 40 VDC	3.93 - 3.25 A	3%	130W
SIDA130-S11	40 - 50 VDC	3.25 - 2.60 A	3%	130W
SIDA130-S12	50 - 55 VDC	2.60 - 2.36 A	3%	130W

Multi Output

Product Number	Output #1				Output #2				Maximum Output Power
	Vonom	Iomin	Iomax	Regmax	Vonom	Iomin	Iomax	Regmax	
SIDA130-D00	+3.3V	4A	20A	7%	+12V	0A	2A	5%	90W
SIDA130-D01	+5V	4A	20A	7%	+12V	0A	2A	5%	120W
SIDA130-D01-1	+5V	2A	10A	5%	+12V	1A	5A	10%	110W
SIDA130-D02	+5V	4A	20A	7%	+15V	0A	2A	5%	120W
SIDA130-D03	+5V	4A	20A	7%	+24V	0.2A	2A	5%	120W

The model number of S01-S12 had been approved by CCC.

Electrical Characteristics

Parameter	Test Conditions	Min.	Typ.	Max.	Unit
Input Voltage	Operating Voltage	90		260	VAC
Input Frequency		47		63	Hz
Power Factor Correction	Io=Full load, Vin=230VAC	0.95		1.00	
Output Power Range	Vin=90 to 260VAC	0		130	W
Input Current (Low Line)	Io=Full load, Vin=115VAC		1.7	3.2	A
Input Current (High Line)	Io=Full load, Vin=230VAC		0.7	1.7	A
Low Line Inrush Current	Io=Full load, 25°C, Cool start, Vin=115VAC		15	30	A
High Line Inrush Current	Io=Full load, 25°C, Cool start, Vin=230VAC		30	60	A
Efficiency	Io=Full Load, Vin=230VAC		80	85	%
Line Regulation	Io=Full Load		0.5	1	%
Load Regulation	Vin=230VAC		3	10	%
Over Voltage Protection		112		132	%
Over Current Protection		110		150	%
Transient Response	Io=Full Load to Half Load, Vin=100VAC			4	mS
Hold-Up Time	Io=Full Load, Vin=110VAC	50			mS
Start Up Time	Io=Full Load, Vin=100VAC	0.3	1	2	S
* Ripple & Noise (Peak to Peak)	Full Load, Vin=90VAC		0.5	1	%
Safety Ground Leakage Current	Io=Full Load, Vin=240VAC		0.5	0.75	mA
Temperature Coefficient	All output	-0.04		0.04	%/°C

* The Ripple & Noise is under 3.3VDC at 2% max

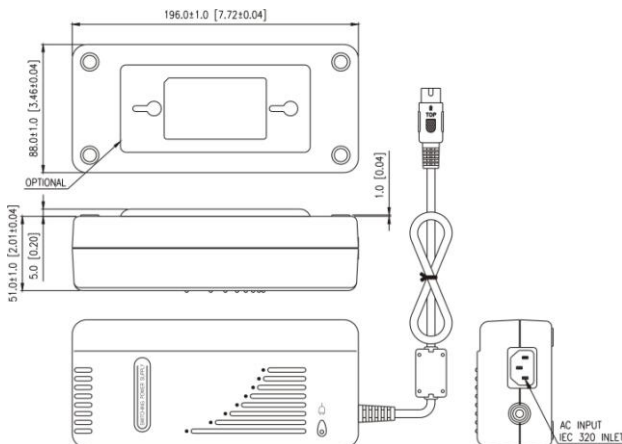
Conditions

Parameter	Test Conditions	Min.	Typ.	Max.	Unit
Operating Temperature		-20	25	70	°C
Storage Temperature		-40		85	°C
Relative Humidity		5		95	%
Operation temperature at 25°C, calculated per MIL-HDBK-217F		0.1M			Hrs
Derate linearly from 100% load at 25°C to 50% load at 70°C					

Approvals and Compliance

Parameter	Test Conditions	Min.	Unit
Dielectric Withstanding Voltage for Primary to secondary	Primary to secondary	4242	VDC
Dielectric Withstanding Voltage for Primary to Ground	Primary to ground	2121	VDC
Isolation Resistance	Test Voltage = 500VDC	50	MΩ
EMI requirements for CISPR-22	Vin=220VAC	B	CLASS
EMI requirements for FCC PART-15	Vin=110VAC	B	CLASS

Mechanical and PIN out



Note:

1. Dimensions are shown in mm & inch
2. Weight: 750~916g approx (Exclude the input cord)
3. Optional output connector.