

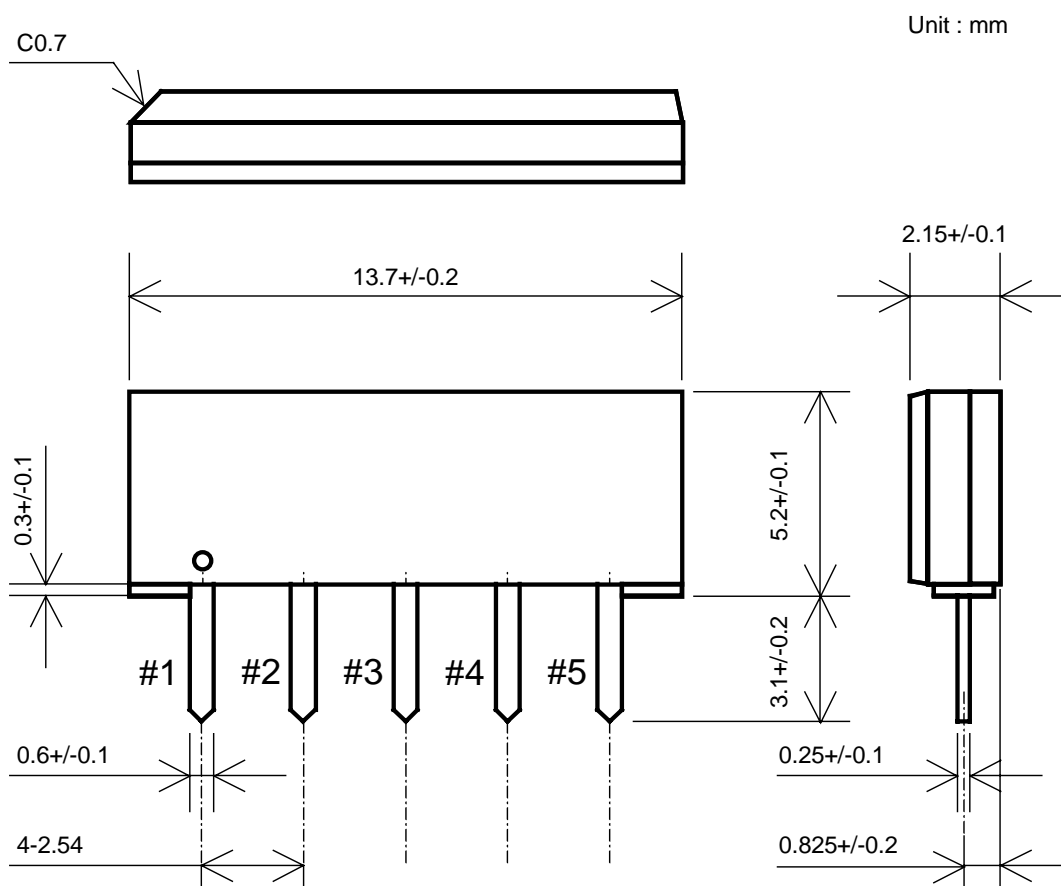
Customer Name	<b>Standard specification</b>	FUJITSU MEDIA DEVICES LIMITED	
Application	IF Filter for Digital Cable Digital Terrestrial TV		
Center Frequency	44.00 MHz	DATE	Jun. 27 2003
FMD Part Number	SBF0408LPL	Version 1.3	

**Table 1 Electrical Specification (Ta=25(45)°C)**

Items	Conditions	Specification			Unit	Remarks
		Min.	Typ.	Max.		
Center frequency		–	(44.00)	–	MHz	
Insertion Loss	44.060(44.000) MHz	15.0	16.5	18.0	dB	
Pass bandwidth	1 dB	–	7.5	–	MHz	
	3 dB	–	8.0	–	MHz	
	30 dB	–	9.5	–	MHz	
Relative level	38.960(38.900) MHz	–	-48	-38	dB	
	40.260(40.200) MHz	- 2.2	- 1.5	–	dB	
	44.060(44.000) MHz	–	0	–	dB	Reference
	47.860(47.800) MHz	- 2.2	- 1.3	–	dB	
	48.258(48.198) MHz	–	- 6.5	–	dB	
	48.960(48.900) MHz	–	-38	-30	dB	
	32.560 ~ 38.810 (32.500 ~ 38.750) MHz	–	-45	-33	dB	
	50.810 ~ 57.560 (50.750 ~ 57.500) MHz	–	-44	-33	dB	
Amplitude ripple (p-p)	40.560 ~ 47.560 (40.500 ~ 47.500) MHz	–	0.6	1.0	dB	
Group delay ripple (p-p)	40.260 ~ 47.860 (40.200 ~ 47.800) MHz	–	37	70	ns	
Input Capacitance	Cin (1.0 MHz)	–	17.3	–	pF	
Output Capacitance	Cout (1.0 MHz)	–	4.7	–	pF	
Temperature coefficient		–	-72	–	ppm/°C	

Customer Name	<b>Standard specification</b>	FUJITSU MEDIA DEVICES LIMITED	
Application	IF Filter for Digital Cable Digital Terrestrial TV		
Center Frequency	44.00 MHz	DATE	Jun. 27 2003
FMD Part Number	SBF0408LPL	Version 1.3	

● **Dimensions**



**Fig.1**

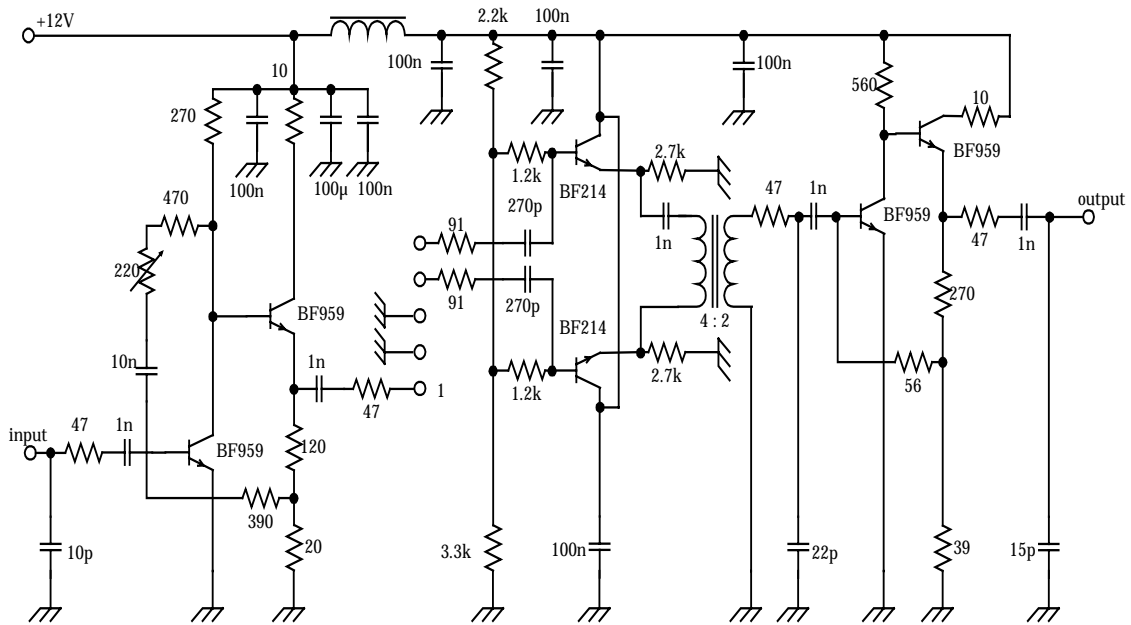
● **Pin Configuration**

**Table 2**

Pin No.	Symbol	Function
#1	IN	Input
#2	IN(GND)	Input(Ground)
#3	GND	Ground
#4	OUT	Output
#5	OUT	Output

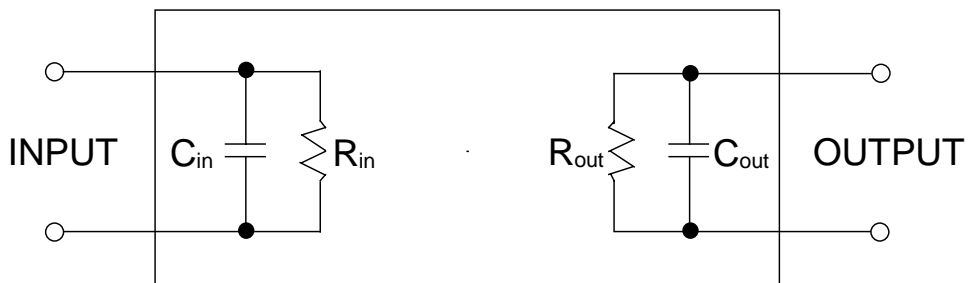
Customer Name	<b>Standard specification</b>	FUJITSU MEDIA DEVICES LIMITED	
Application	IF Filter for Digital Cable Digital Terrestrial TV		
Center Frequency	44.00 MHz	DATE	Jun. 27 2003
FMD Part Number	SBF0408LPL	Version 1.3	

● **Evaluation Circuit**



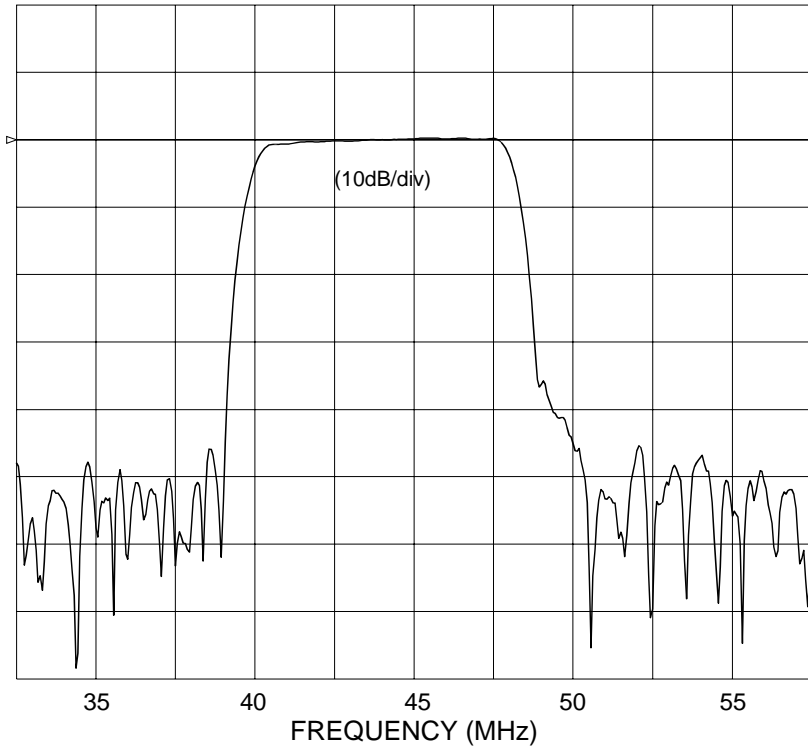
**Fig.2 Evaluation circuit**

● **Equivalent Circuit**

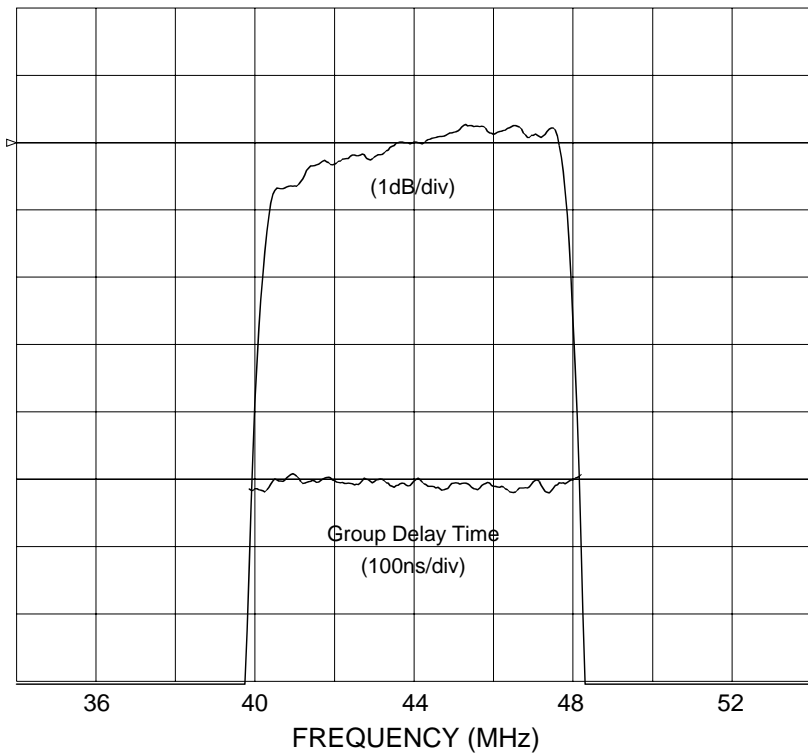


**Fig.3 Equivalent circuit**

Customer Name	<b>Standard specification</b>	FUJITSU MEDIA DEVICES LIMITED	
Application	IF Filter for Digital Cable Digital Terrestrial TV		
Center Frequency	44.00 MHz	DATE	Jun. 27 2003
FMD Part Number	SBF0408LPL	Version 1.3	



**Frequency Characteristics**



**In-band Characteristics**