

[ Obsolete product ]

Agilent has a new name

Keysight Technologies.

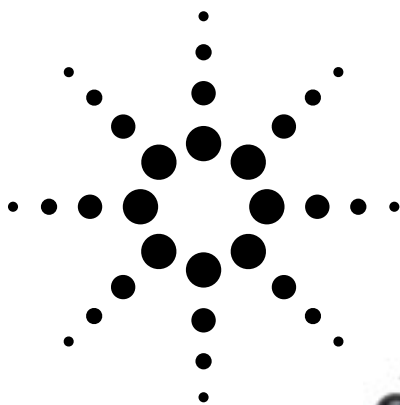
Keysight Technologies Inc. is the world's leading electronic measurement company, transforming today's measurement experience through innovations in wireless, modular, and software solutions. With its HP and Agilent legacy, Keysight delivers solutions in wireless communications, aerospace and defense and semiconductor markets with world-class platforms, software and consistent measurement science.

# Agilent HSDL-3000 # 007/017

## IrDA<sup>®</sup> Data Compliant 115.2 kbps

### Infrared Transceiver

#### Data Sheet



#### Description

The HSDL-3000 is a small form factor infrared (IR) transceiver module that provides interface between logic and IR signals for through-air, serial, half-duplex IR data link. The module is compliant to IrDA Physical Layer Specifications 1.3 and is IEC 825-Class 1 eye safe.

The HSDL-3000 can be shut down completely to achieve very low power consumption. In the shut-down mode, the PIN diode will be inactive and thus producing very little photocurrent even under very bright ambient light. Such features are ideal for battery-operated handheld products.

The HSDL-3000 has two front packaging type options (HSDL-3000#007/017). Both options have an integrated shield that helps to ensure low EMI emission and high immunity to EMI field, thus enhancing reliable performance.

#### Application Support Information

The Application Engineering group is available to assist you with the technical understanding associated with HSDL-3000 infrared transceiver module. You can contact them through your local sales representatives for additional details.

#### Applications

- **Data communication**
  - PDAs
  - Notebooks
  - Printers
- **Mobile telecom**
  - Cellular phones
  - Pagers
  - Smart phones
- **Digital imaging**
  - Digital cameras
  - Photo-imaging printers
- **Electronic wallet**
- **Medical and industry data collection**

#### Features

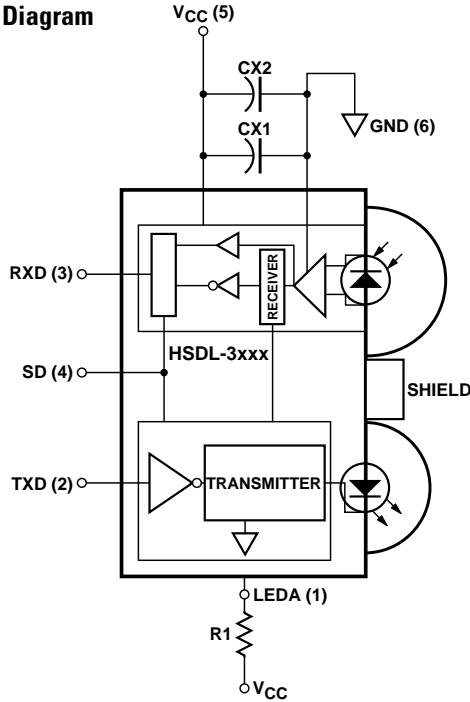
- **Fully compliant to IrDA 1.3 specifications:**
  - 2.4 kbps to 115.2 kbps
  - Excellent nose-to-nose operation
  - Typical link distance > 1.5 m
- **Guaranteed temperature performance, –20 to 70 °C**
  - Critical parameters are guaranteed over temperature and supply voltages
- **Low power consumption**
  - Low shutdown current (10 nA typical)
  - Complete shutdown for TXD, RXD, and PIN diode
- **Small module size**
  - 2.70 x 9.10 x 3.65 mm (HxWxD)
- **Withstands >100 mV<sub>p-p</sub> power supply ripple typically**
- **V<sub>CC</sub> supply 2.7 to 5.5 volts**
- **LED stuck-high protection**
- **IEC 825-Class 1 eye safe**
- **Designed to accommodate light loss with cosmetic windows**

#### HSDL-3000 Ordering Information

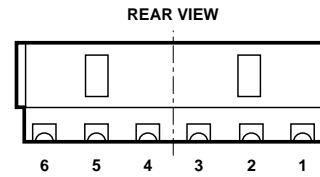
Part Number	Packaging Type	Package	Quantity
HSDL-3000#007	Tape/Reel	Front View	2500
HSDL-3000#017	Strip	Front View	10



### Functional Block Diagram



### Pinout



### I/O Pins Configuration Table

Pin	Symbol	Description	Notes
1	LED A	LED Anode	Tied through external resistor, R1, to regulated $V_{CC}$ from 2.7 to 5.5 volts.
2	TXD	Transmitter Data Input. Active High.	Logic High turns on the LED. If held high longer than $\sim 50 \mu s$ , the LED is turned off. TXD must be either driven high or low. Do NOT float the pin.
3	RXD	Receiver Data Output. Active Low.	Output is a low pulse response when a light pulse is seen.
4	SD	Shutdown. Active High.	Complete shutdown TXD, RXD, and PIN diode.
5	$V_{CC}$	Supply Voltage	Regulated, 2.7 to 5.5 volts.
6	GND	Ground	Connect to system ground.
–	SHIELD	EMI Shield	Connect to system ground via a low inductance trace. For best performance, do not connect to GND directly at the part.

### Recommended Application Circuit Components

Component	Recommended Value
R1	2.2 $\Omega \pm 5\%$ , 0.25 Watt, for $2.7 \leq V_{CC} \leq 3.3$ V operation 2.7 $\Omega \pm 5\%$ , 0.25 Watt, for $3.0 \leq V_{CC} \leq 3.6$ V operation 6.8 $\Omega \pm 5\%$ , 0.25 Watt, for $4.5 \leq V_{CC} \leq 5.5$ V operation
CX1 <sup>[1]</sup>	0.47 $\mu F \pm 20\%$ , X7R Ceramic
CX2 <sup>[2]</sup>	6.8 $\mu F \pm 20\%$ , Tantalum

#### Notes:

- CX1 must be placed within 0.7 cm of HSDL-3000 to obtain optimum noise immunity.
- In environments with noisy power supplies, supply rejection can be enhanced by including CX2 as shown in "HSDL-3000 Functional Block Diagram" on page 2.

### Marking Information

The HSDL-3000#007/017 is marked "YYWW" on the shield where "YY" indicates the unit's manufacturing year, and "WW" refers to the work week in which the unit is tested.

**Caution:** The BiCMOS inherent to the design of this component increases the component's susceptibility to damage from electrostatic discharge (ESD). It is advised that normal static precautions be taken during handling and assembly of this component to prevent damage and/or degradation, which may be induced by ESD.

**Absolute Maximum Ratings**

For implementations where case to ambient thermal resistance is  $\leq 50^{\circ}\text{C}/\text{W}$ .

Parameter	Symbol	Min.	Max.	Units	Conditions
Storage Temperature	$T_S$	-40	100	$^{\circ}\text{C}$	
Operating Temperature	$T_A$	-20	70	$^{\circ}\text{C}$	
LED Supply Voltage	$V_{\text{LED}}$	0	7	V	
Supply Voltage	$V_{\text{CC}}$	0	7	V	
Output Voltage: RXD	$V_O$	-0.5	7	V	
LED Current Pulse Amplitude	$I_{\text{LED}}$		500	mA	$\leq 90\ \mu\text{s}$ Pulse Width $\leq 20\%$ Duty Cycle

**Recommended Operating Conditions**

Parameter	Symbol	Min.	Max.	Units	Conditions
Operating Temperature	$T_A$	-20	70	$^{\circ}\text{C}$	
Supply Voltage	$V_{\text{CC}}$	2.7	5.5	V	
Logic Input Voltage for TXD	Logic High	$V_{\text{IH}}$	$2/3 V_{\text{CC}}$	$V_{\text{CC}}$	V
	Logic Low	$V_{\text{IL}}$	0	$1/3 V_{\text{CC}}$	V
Receiver Input Irradiance	Logic High	$E_{\text{IH}}$	0.0036	500	$\text{mW}/\text{cm}^2$ For in-band signals $\leq 115.2\ \text{kbps}^{[1]}$
	Logic Low	$E_{\text{IL}}$		0.3	$\mu\text{W}/\text{cm}^2$ For in-band signals <sup>[1]</sup>
TXD Pulse Width (SIR)	$t_{\text{TPW}}(\text{SIR})$	1.5	1.6	$\mu\text{s}$	$t_{\text{PW}}(\text{TXD}) = 1.6\ \mu\text{s}$ at 115.2 kbps
Receiver Data Rate		2.4	115.2	kbps	
Ambient Light	See Test Methods on page 16 for details.				

## Electrical & Optical Specifications

Specifications (Min. and Max. values) hold over the recommended operating conditions unless otherwise noted. Unspecified test conditions may be anywhere in their operating range. All typical values (Typ.) are at 25°C with V<sub>CC</sub> set to 3.0 V unless otherwise noted.

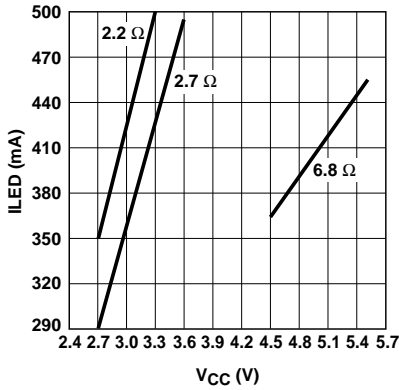
Parameter	Symbol	Min.	Typ.	Max.	Units	Conditions
<b>Receiver</b>						
Viewing Angle	$2\phi_{1/2}$	30			°	
Peak Sensitivity Wavelength	$\lambda_p$		875		nm	
RXD Output Voltage						
Logic High	V <sub>OH</sub>	V <sub>CC</sub> - 0.2		V <sub>CC</sub>	V	I <sub>OH</sub> = -200 $\mu$ A, EI $\leq$ 0.3 $\mu$ W/cm <sup>2</sup>
Logic Low	V <sub>OL</sub>	0		0.4	V	
RXD Pulse Width (SIR) <sup>[2]</sup>	t <sub>RPW</sub> (SIR)	1		7.5	$\mu$ s	$\theta_{1/2} \leq 15^\circ$ , C <sub>L</sub> = 9 pF
RXD Rise and Fall Times	t <sub>r</sub> , t <sub>f</sub>		25	100	ns	C <sub>L</sub> = 9 pF
Receiver Latency Time <sup>[3]</sup>	t <sub>L</sub>		25	50	$\mu$ s	
Receiver Wake Up Time <sup>[4]</sup>	t <sub>RW</sub>		18	100	$\mu$ s	EI = 10 mW/cm <sup>2</sup>
<b>Transmitter</b>						
Radiant Intensity	IE <sub>H</sub>	44	75		mW/sr	I <sub>LEDA</sub> = 350 mA, $\theta_{1/2} \leq 15^\circ$ , TXD $\geq$ V <sub>IH</sub> , T <sub>A</sub> = 25°C
Viewing Angle	$2\theta_{1/2}$	30		60	°	
Peak Wavelength	$\lambda_p$		875		nm	
TXD Logic Levels						
High	V <sub>IH</sub>	2/3 V <sub>CC</sub>		V <sub>CC</sub>	V	
Low	V <sub>IL</sub>	0		1/3 V <sub>CC</sub>	V	
TXD Input Current						
High	I <sub>H</sub>		0.02	1	$\mu$ A	V <sub>I</sub> $\geq$ V <sub>IH</sub>
Low	I <sub>L</sub>	-1	-0.02	1	$\mu$ A	0 $\leq$ V <sub>I</sub> $\leq$ V <sub>IL</sub>
LED Current Shutdown	I <sub>VLED</sub>		20	1000	NA	V <sub>I</sub> (SD) $\geq$ V <sub>IH</sub> , T <sub>A</sub> = 25°C
Wakeup Time <sup>[5]</sup>	t <sub>TW</sub>		30	100	ns	
Maximum Optical Pulse Width <sup>[6]</sup>	t <sub>PW(Max)</sub>		25	50	$\mu$ s	
TXD Rise and Fall Time (Optical)	t <sub>r</sub> , t <sub>f</sub>			600	ns	
LED Anode on State Voltage	V <sub>ON</sub> (LEDA)			2.2	V	I <sub>LEDA</sub> = 350 mA, V <sub>I</sub> (TXD) $\leq$ V <sub>IL</sub>

## Electrical & Optical Specifications (Continued)

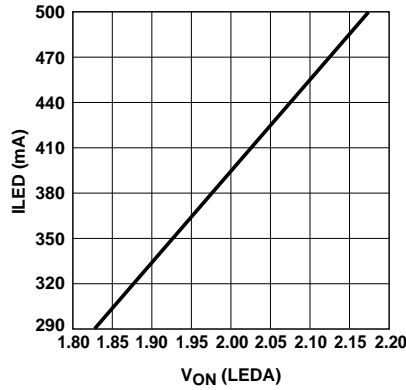
Parameter	Symbol	Min.	Typ.	Max.	Units	Conditions
<b>Transceiver</b>						
Input Current						
High	$I_H$		0.01	1	$\mu\text{A}$	$V_I \geq V_{IH}$
Low	$I_L$	-1	-0.02	1	$\mu\text{A}$	$0 \leq V_I \leq V_{IL}$
Supply Current						
Shutdown	$I_{CC1}$		0.01	1	$\mu\text{A}$	$V_{SD} \geq V_{CC} - 0.5$ , $T_A = 25^\circ\text{C}$
Idle	$I_{CC2}$		290	450	$\mu\text{A}$	$V_I(\text{TXD}) \leq V_{IL}$ , $E_I = 0$
Active	$I_{CC3}$		2	8	$\text{mA}$	$V_I(\text{TXD}) \geq V_{IL}$

### Notes:

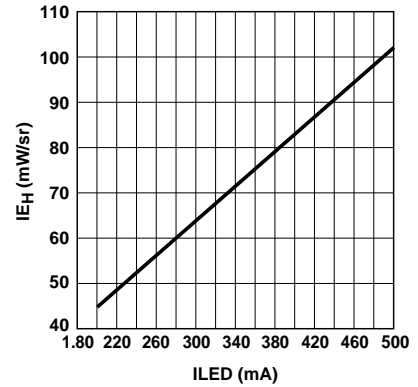
1. An in-band optical signal is a pulse/sequence where the peak wavelength,  $\lambda_p$ , is defined as  $850 \text{ nm} \leq \lambda_p \leq 900 \text{ nm}$ , and the pulse characteristics are compliant with the IrDA Serial Infrared Physical Layer Link Specification.
2. For in-band signals 2.4 kbps to 115.2 kbps where  $3.6 \mu\text{W}/\text{cm}^2 \leq E_I \leq 500 \text{ mW}/\text{cm}^2$ .
3. Latency is defined as the time from the last TXD light output pulse until the receiver has recovered full sensitivity.
4. Receiver wake up time is measured from  $V_{CC}$  power on to valid RXD output.
5. Transmitter wake up time is measured from  $V_{CC}$  power on to valid light output in response to a TXD pulse.
6. Maximum optical pulse width is defined as the maximum time that the LED will remain on. This is to prevent the long turn on time for the LED.



$I_{LED}$  vs.  $V_{CC}$ .

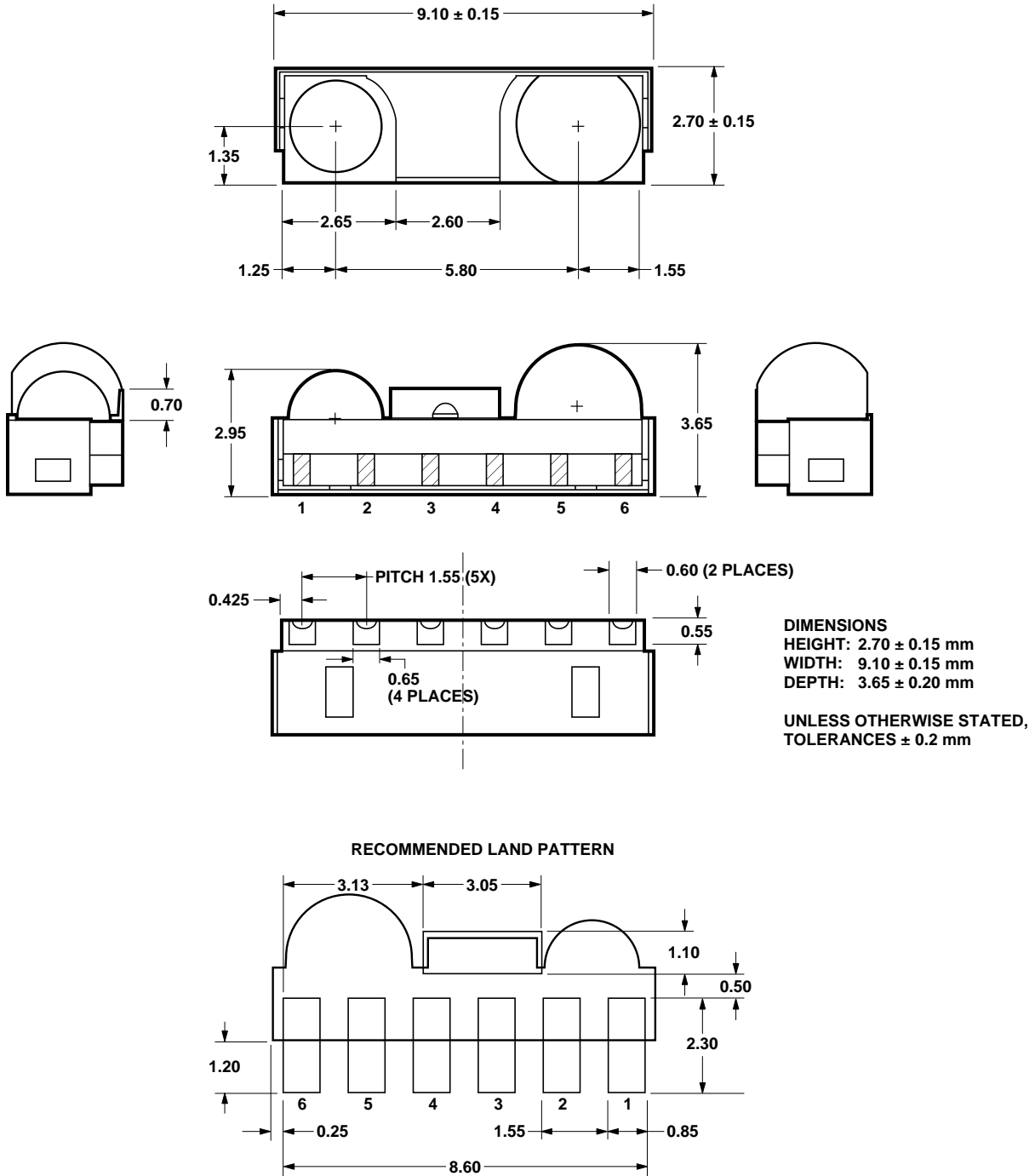


$I_{LED}$  vs.  $V_{ON}$  (LEDA).

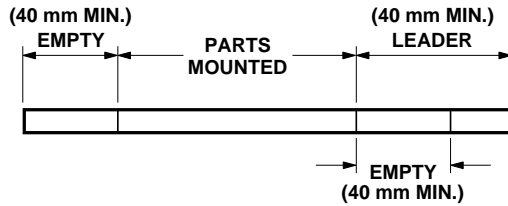
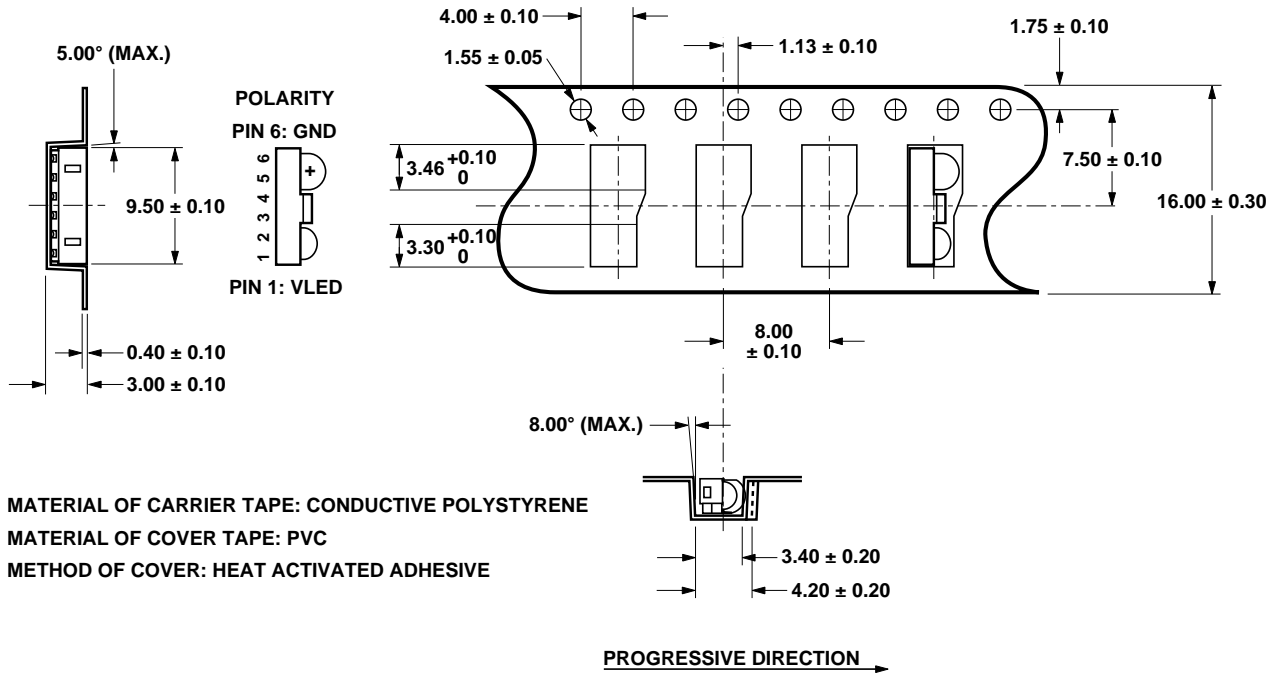


$I_{EH}$  vs.  $I_{LED}$ .

**HSDL-3000#007 and HSDL-3000#017 Package Outline  
with Dimension and Recommended PC Board Pad Layout**

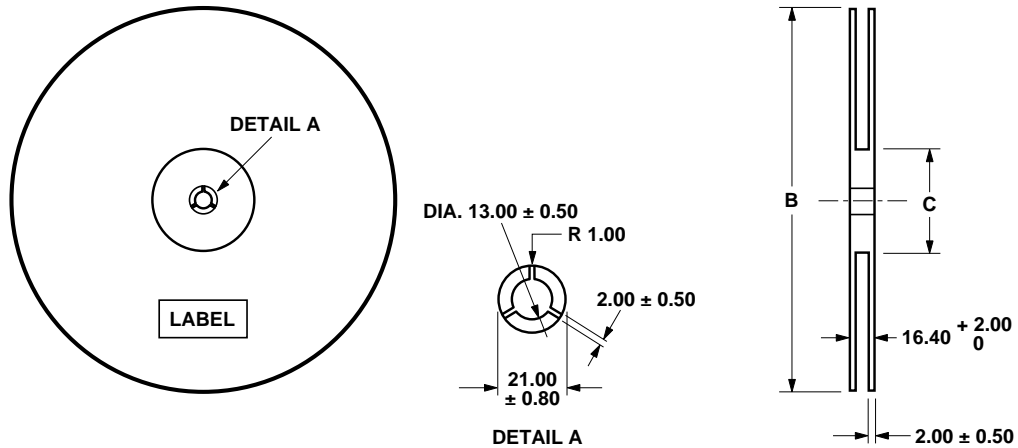


**HSDL-3000#007 and HSDL-3000#017 Tape and Reel Dimensions**



"B"	"C"	QUANTITY
330	80	2500

UNIT: mm





### Moisture Proof Packaging

The HSDL-3000 is shipped in moisture proof packaging. Once opened, moisture absorption begins.

### Recommended Storage Conditions

Storage Temperature	10 °C to 30°C
Relative Humidity	Below 60% RH

### Time from Unsealing to Soldering

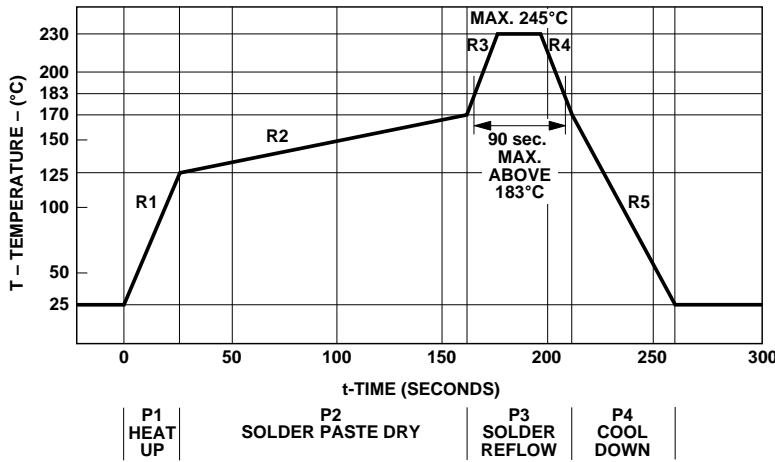
After removal from the bag, the parts should be soldered within two days if stored at the recommended storage conditions. If the parts have been removed from the bag for more than two days, the parts must be stored in a dry box.

### Baking

If the parts are not stored in a dry environment, they must be baked before reflow process to prevent damage to parts. Baking should be done only once.

Packaging	Baking Temperature	Baking Time
In Reel	60°C	≥ 48 hours
In Bulk	100°C	≥ 4 hours
	125°C	≥ 2 hours
	150°C	≥ 1 hour

## Reflow Profile



Process Zone	Symbol	$\Delta T$	Maximum $\Delta T/\Delta time$
Heat Up	P1, R1	25°C to 125°C	4°C/s
Solder Paste Dry	P2, R2	125°C to 170°C	0.5°C/s
Solder Reflow	P3, R3	170°C to 230°C (245°C max.)	4°C/s
	P3, R4	230°C to 170°C	-4°C/s
Cool Down	P4, R5	170°C to 25°C	-3°C/s

The reflow profile is a straight line representation of a nominal temperature profile for a convective reflow solder process. The temperature profile is divided into four process zones, each with different  $\Delta T/\Delta time$  temperature change rates. The  $\Delta T/\Delta time$  rates are detailed in the above table. The temperatures are measured at the component to printed-circuit board connections.

In **process zone P1**, the PC board and HSDL-3000 castellation I/O pins are heated to a temperature of 125°C to activate the flux in the solder paste. The temperature ramp up rate, R1, is limited to 4°C per second to allow for even heating of both the PC board and HSDL-3000 castellation I/O pins.

**Process zone P2** should be of sufficient time duration (> 60 seconds) to dry the solder paste. The temperature is raised to a level just below the liquidus point of the solder, usually 170°C (338°F).

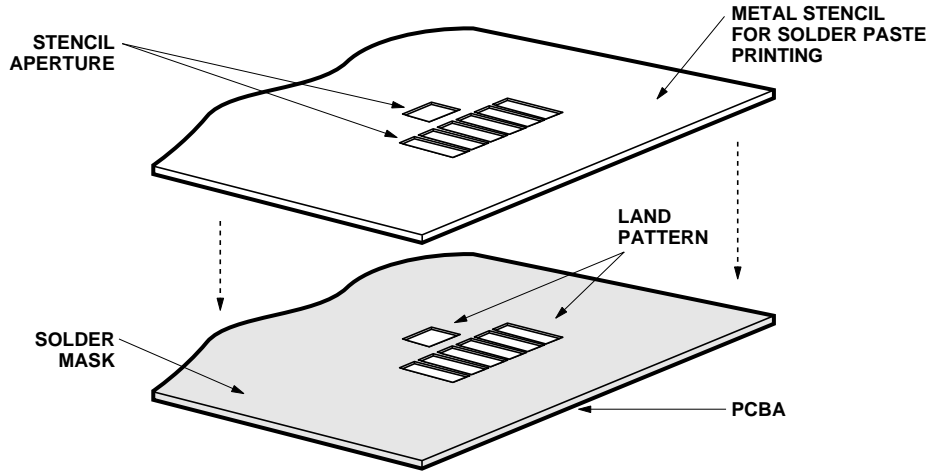
**Process zone P3** is the solder reflow zone. In zone P3, the temperature is quickly raised above the liquidus point of solder to 230°C (446°F) for optimum results. The dwell time above the liquidus point of solder should be between 15 and 90 seconds. It usually takes about 15 seconds to assure proper coalescing of the solder balls into liquid solder and the formation of good solder connections. Beyond a dwell time of 90 seconds, the intermetallic growth within the solder connections becomes excessive, resulting in the formation of weak and

unreliable connections. The temperature is then rapidly reduced to a point below the solidus temperature of the solder, usually 170°C (338°F), to allow the solder within the connections to freeze solid.

**Process zone P4** is the cool down after solder freeze. The cool down rate, R5, from the liquidus point of the solder to 25°C (77°F) should not exceed -3°C per second maximum. This limitation is necessary to allow the PC board and HSDL-3000 castellation I/O pins to change dimensions evenly, putting minimal stresses on the HSDL-3000 transceiver.

**Appendix A : HSDL-3000#007/#017 SMT Assembly Application Note**

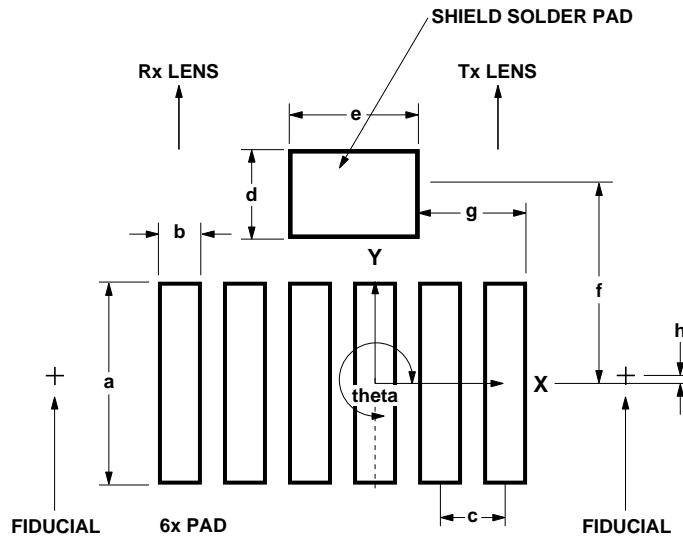
**1.0 Solder Pad, Mask and Metal Solder Stencil Aperture**



**Figure 1. Stencil and PCBA.**

**1.1 Recommended Land Pattern for HSDL-3000**

DIM.	mm	INCHES
a	2.30	0.091
b	0.85	0.034
c (PITCH)	1.55	0.061
d	1.10	0.043
e	3.05	0.120
f	2.20	0.087
g	2.42	0.095
h	0.20	0.008



**Figure 2. Top view of land pattern.**

## 1.2 Adjacent Land Keep-out and Solder Mask Areas

Dim.	mm	Inches
h	min. 0.40	min. 0.016
j	10.1	0.40
k	3.85	0.15
l	3.2	0.126

- Adjacent land keep-out is the maximum space occupied by the unit relative to the land pattern. There should be no other SMD components within this area.
- “h” is the minimum solder resist strip width required to avoid solder bridging adjacent pads.
- It is recommended that 2 fiducial cross be placed at mid-length of the pads for unit alignment.

**Note:** Wet/Liquid Photo-Imageable solder resist/mask is recommended.

## 2.0 Recommended Solder Paste/ Cream Volume for Castellated Joints

The recommended printed solder paste volume required per castellated pad is 0.30 cubic mm (based on either no-clean or aqueous solder cream types with typically 60 to 65% solid content by volume).

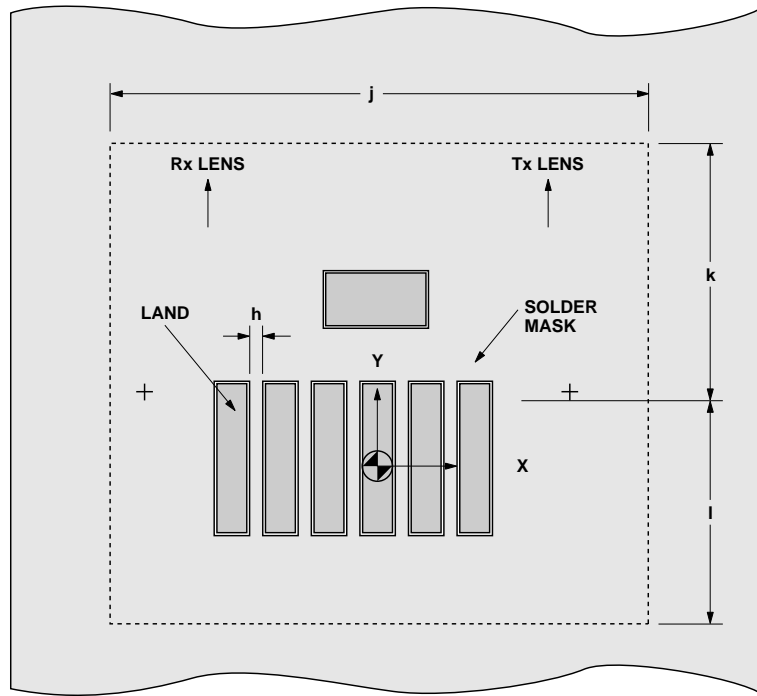


Figure 3. HSDL-3000#007/#017 PCBA – Adjacent land keep-out and solder mask.

## 2.1 Recommended Metal Solder Stencil Aperture

It is recommended that only 0.152 mm (0.006 inches) or 0.127 mm (0.005 inches) thick stencil be used for solder paste printing. This is to ensure adequate printed solder paste volume and no shorting. The following combination of metal stencil aperture and metal stencil thickness should be used:

See Fig. 4.

t, Nominal Stencil Thickness		l, Length of Aperture	
mm	inches	mm	inches
0.152	0.006	$2.3 \pm 0.05$	$0.091 \pm 0.002$
0.127	0.005	$2.75 \pm 0.05$	$0.108 \pm 0.002$

w, the width of aperture, is fixed at 0.85 mm (0.034 inches).

Aperture opening for shield pad is 3.05 mm x 1.1 mm as per land dimension.

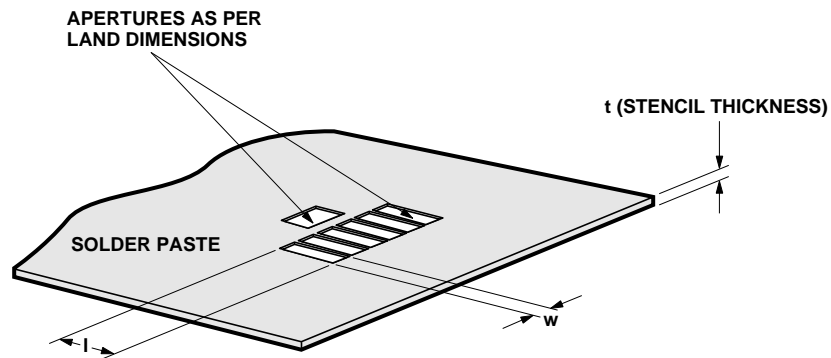


Figure 4. Solder paste stencil aperture.

## Appendix B: HSDL-3000#007/#017 – Recommended Optical Port Design

To insure IrDA compliance, some constraints on the height and width of the window exist. The minimum dimensions ensure that the IrDA cone angles are met without vignetting. The maximum dimensions minimize the effects of stray light. The minimum size corresponds to a cone angle of 30 degrees, the maximum, to a cone angle of 60 degrees.

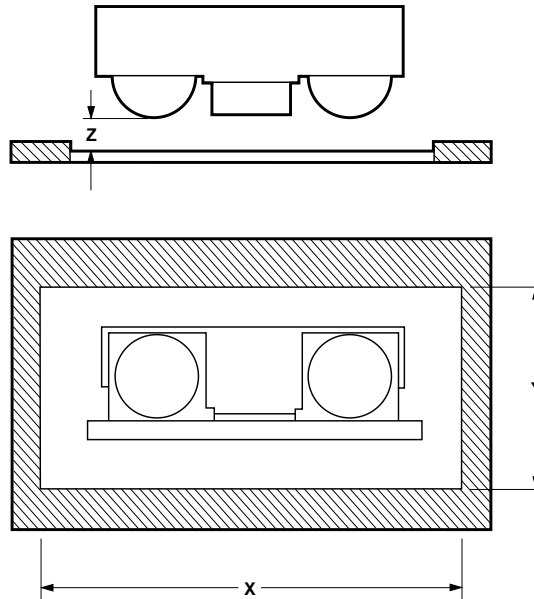
X is the width of the window, Y is the height of the window, and Z is the distance from the HSDL-3000 to the back of the window.

The distance from the center of the LED lens to the center of the photodiode lens is 5.80 mm. The equations for the size of the window are as follows:

$$X = 5.80 + 2(Z + D) \tan \theta$$

$$Y = 2(Z + D) \tan \theta$$

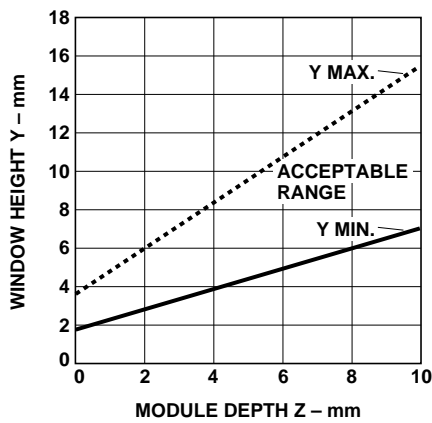
Where  $\theta$  is the required half angle for viewing. For the IrDA minimum, it is 15 degrees, for the IrDA maximum it is 30 degrees. (D is the depth of the LED image inside the part, 3.2 mm from the Tx lens vertex). These equations result in the following tables and graphs:



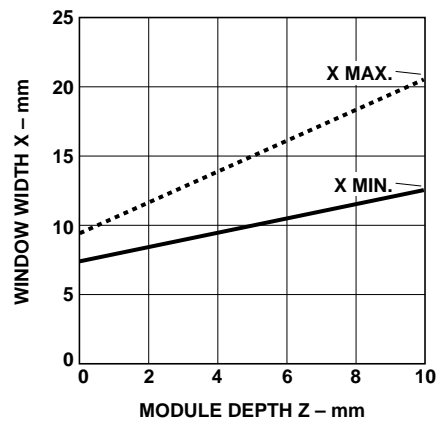
### Minimum and Maximum Window Sizes

Dimensions are in mm.

Depth (Z) mm	X min.	Y min.	X max.	Y max.
0	7.34	1.71	9.33	3.70
1	7.88	2.25	10.48	4.85
2	8.42	2.79	11.63	6.00
3	8.95	3.32	12.79	7.16
4	9.49	3.86	13.94	8.31
5	10.02	4.39	15.10	9.47
6	10.56	4.93	16.25	10.62
7	11.10	5.47	17.41	11.78
8	11.63	6.00	18.56	12.93
9	12.17	6.54	19.72	14.09
10	12.70	7.07	20.87	15.24
11	13.24	7.61	22.03	16.40
12	13.77	8.14	23.18	17.55
13	14.31	8.68	24.34	18.71
14	14.85	9.22	25.49	19.86
15	15.38	9.75	26.65	21.01
16	15.92	10.29	27.80	22.17
17	16.46	10.83	28.95	23.32
18	16.99	11.36	30.11	24.48
19	17.53	11.90	31.26	25.63
20	18.06	12.43	32.42	26.79



Window height Y vs. module depth Z.



Window width X vs. module depth Z.

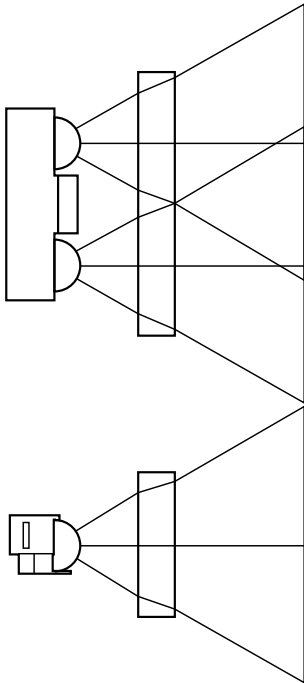
### Shape of the Window

From an optics standpoint, the window should be flat. This ensures that the window will not alter either the radiation pattern of the LED, or the receive pattern of the photodiode.

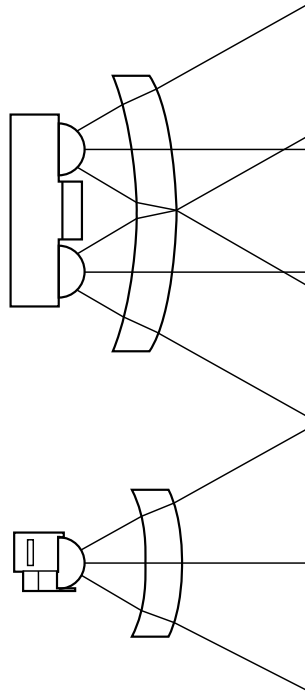
If the window must be curved for mechanical design reasons, place a curve on the back side of the window that has the same radius as the front side. While this will not completely eliminate the lens effect of the front curved surface, it will reduce the effects. The amount of change in the radiation pattern is dependent upon the

material chosen for the window, the radius of the front and back curves, and the distance from the back surface to the transceiver. Once these items are known, a lens design can be made which will eliminate the effect of the front surface curve.

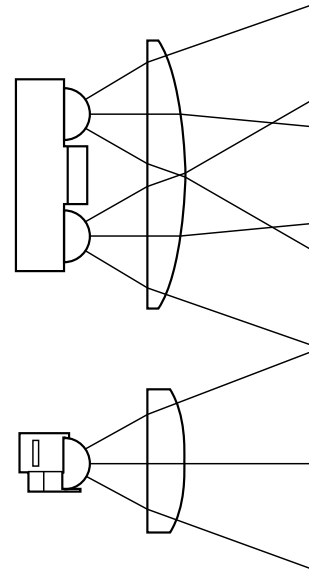
The following drawings show the effects of a curved window on the radiation pattern. In all cases, the center thickness of the window is 1.5 mm, the window is made of polycarbonate plastic, and the distance from the transceiver to the back surface of the window is 3 mm.



**Flat Window  
(first choice)**



**Curved Front and Back  
(second choice)**



**Curved Front, Flat Back  
(do not use)**



## Test Methods

### Background Light and Electro-magnetic Field

There are four ambient interference conditions in which the receiver is to operate correctly. The conditions are to be applied separately:

1. Electromagnetic field:  
3 V/m maximum (please refer to IEC 61000-4-3 severity level 3 for details).
2. Sunlight:  
10 kilolux maximum at the optical port. This is simulated with an IR source having a peak wavelength within the range of 850 nm to 900 nm and a spectral width of less than 50 nm biased to provide  $490 \mu\text{W}/\text{cm}^2$  (with no modulation) at the optical port. The light source faces the optical port.

This simulates sunlight within the IrDA spectral range. The effect of longer wavelength radiation is covered by the incandescent condition.

3. Incandescent Lighting:  
1000 lux maximum. This is produced with general service, tungsten-filament, gas-filled, inside frosted lamps in the 60 Watt to 100 Watt range to generate 1000 lux over the horizontal surface on which the equipment under test rests. The light sources are above the test area. The source is expected to have a filament temperature in the 2700 to 3050 Kelvin range and a spectral peak in the 850 to 1050 nm range.
4. Fluorescent Lighting:  
1000 lux maximum. This is simulated with an IR source having a peak wavelength within the range of 850 nm to 900 nm and a spectral width of less than 50 nm biased and modulated to provide an optical square wave signal ( $0 \mu\text{W}/\text{cm}^2$  minimum and  $0.3 \mu\text{W}/\text{cm}^2$  peak amplitude with 10% to 90% rise and fall times less than or equal to 100 ns) over the horizontal surface on which the equipment under test rests. The

light sources are above the test area. The frequency of the optical signal is swept over the frequency range from 20 kHz to 200 kHz.

Due to the variety of fluorescent lamps and the range of IR emissions, this condition is not expected to cover all circumstances. It will provide a common floor for IrDA operation.