

FFSD-10-D-02.00-01-N

FFSD SERIES

(1.27 mm) .050"

TIGER EYE™ FLAT IDC WIRE CABLES

Mates with:
 FTS, FTSH, EHF,
 SHF, ESHF

SPECIFICATIONS

For complete specifications see www.samtec.com?FFSD

Insulator Material:

PBT

Contact:

BeCu

Plating:

10 μm (0.25 μm) Au over 50 μm (1.27 μm) Ni on contact area; Sn over 50 μm (1.27 μm) Ni on balance

Wire:

30 AWG

Current Rating (FFSD/FTSH):

2.3 A per pin

(1 pin powered per row)

Operating Temp Range:

-40 °C to +105 °C

Lead Size Accepted:

(0.41 mm) .016" SQ

Contact Resistance:

15 mΩ

Insertion Depth:

(2.64 mm) .104" to

(3.17 mm) .125"

RoHS Compliant:

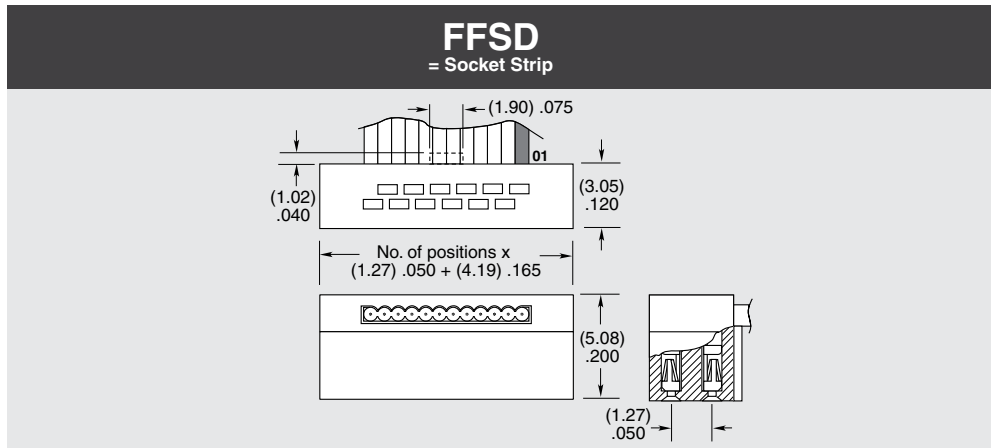
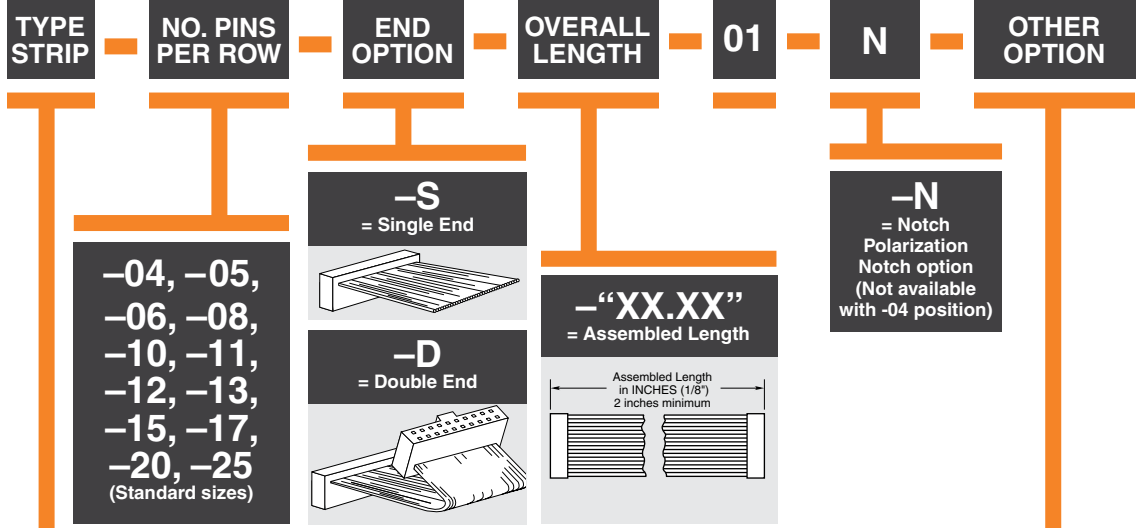
Yes

RECOGNITIONS

For complete scope of recognitions see www.samtec.com/quality



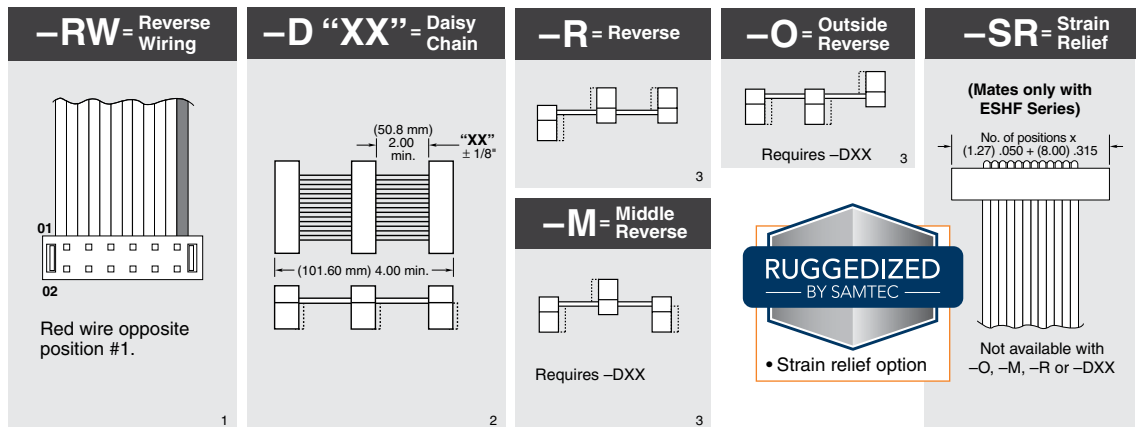
FILE NO. E113594



ALSO AVAILABLE (MOQ Required)

- Other sizes
- Contact Samtec.

Note: This Series is non-standard, non-returnable.



- Strain relief option