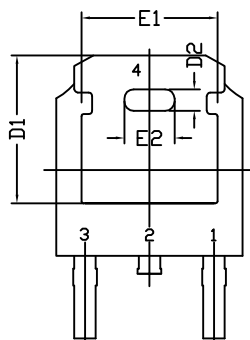
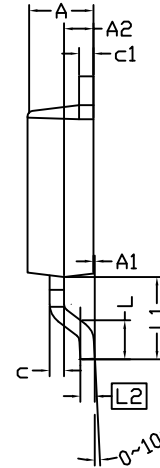
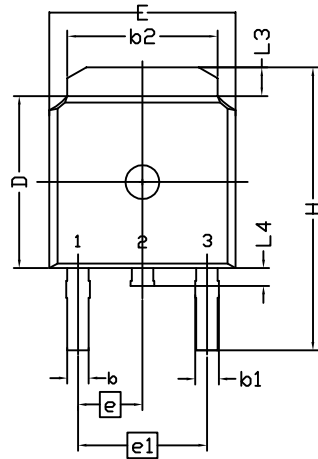


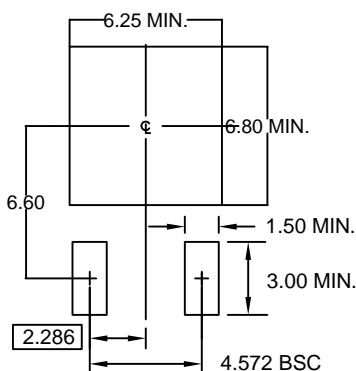


TO252(DPAK) PACKAGE OUTLINE



SYMBOL	DIMENSION IN MILLIMETERS			DIMENSIONS IN INCHES		
	MIN.	NOM.	MAX.	MIN.	NOM.	MAX.
A	2.184	2.286	2.388	0.086	0.090	0.094
A1	0.000	-----	0.127	0.000	-----	0.005
A2	0.889	1.041	1.143	0.035	0.041	0.045
b	0.635	0.762	0.889	0.025	0.030	0.035
b1	0.762	0.840	1.143	0.030	0.033	0.045
b2	4.953	5.340	5.461	0.195	0.210	0.215
c	0.450	0.508	0.610	0.018	0.020	0.024
c1	0.450	0.508	0.610	0.018	0.020	0.024
D	5.969	6.096	6.223	0.235	0.240	0.245
D1	5.210	5.249	5.380	0.205	0.207	0.212
D2	0.662	0.762	0.862	0.026	0.030	0.034
E	6.350	6.604	6.731	0.250	0.260	0.265
E1	4.318	4.826	4.901	0.170	0.190	0.193
E2	1.678	1.778	1.878	0.066	0.070	0.074
e	2.286 BSC			0.090 BSC		
e1	4.572 BSC			0.180 BSC		
H	9.398	10.033	10.414	0.370	0.395	0.410
L	1.270	1.520	2.032	0.050	0.060	0.080
L1	2.921 REF.			0.115REF.		
L2	0.408	0.508	0.608	0.016	0.020	0.024
L3	0.889	1.016	1.270	0.035	0.040	0.050
L4	0.635	-----	1.016	0.025	-----	0.040

RECOMMENDED LAND PATTERN



UNIT: mm

NOTE

1. PACKAGE BODY SIZES EXCLUDE MOLD FLASH AND GATE BURRS. MOLD FLASH SHOULD BE LESS THAN 6 MILS.
2. DIMENSION L IS MEASURED IN GAUGE PLANE
3. TOLERANCE 0.10 mm UNLESS OTHERWISE SPECIFIED
4. CONTROLLING DIMENSION IS MILLIMETER. CONVERTED INCH DIMENSIONS ARE NOT NECESSARILY EXACT.
5. REFER TO JEDEC TO-252 (AA)