

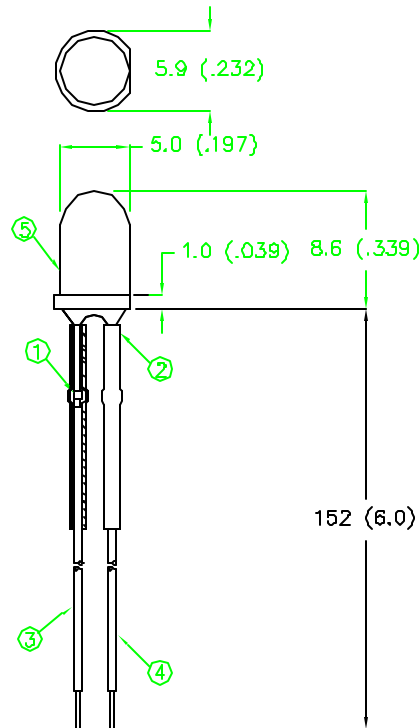
DATE

REVISIONS

REV

DRAWING NUMBER
SSI-LX5093LGD-150

REV

ELECTRO-OPTICAL CHARACTERISTICS $T_A = -25^\circ\text{C}$ $I_f = 20\text{mA}$

PARAMETER	MIN	TYP	MAX	UNITS	TEST COND
PEAK WAVELENGTH		565 (GREEN)		nm	
FORWARD VOLTAGE		2.0	2.5	V_f	
REVERSE VOLTAGE	5.0			V_r	$I_f = 100\mu\text{A}$
AXIAL INTENSITY		20		mcd	$I_f = 20\text{mA}$
VIEWING ANGLE	1.0	80		mcd	$I_f = 2\text{mA}$
EMITTED COLOR	GREEN			2x theta	
EPOXY LENS FINISH	GREEN	DIFFUSED			

LIMITS OF SAFE OPERATION AT 25°C

PARAMETER	MAX	UNITS
PEAK FORWARD CURRENT*	150	mA
STEADY CURRENT	25	mA
POWER DISSIPATION	105	mW
DERATE FROM 25°C	-1.2	$\text{mW}/^\circ\text{C}$
OPERATING, STORAGE TEMP	-40 TO +85	$^\circ\text{C}$

* $t < 10\mu\text{s}$

NOTES:

1. CRIMP LEAD WIRES TO CUT LED LEADS.
2. HEAT SHRINK INSULATION, $1/16" \times 13\text{mm}$ (2 PIECES).
3. ANODE: LXP-WST24RDT0C, CUT AT 155mm, STRIP 3mm & 9.5mm.
4. CATHODE: LXP-WST24BLT0C, CUT AT 155mm, STRIP 3mm & 9.5mm.
5. SSL-LX5093LGD LED, CUT LEADS AT 5mm.

UNLESS OTHERWISE SPECIFIED TOLERANCE IS $\pm 0.25\text{mm}$ ($\pm 0.010"$)

 29D E. HELLEN ROAD
 PALATINE, ILLINOIS 60067
 (847) 359-2790

CONFIDENTIAL INFORMATION
 THE INFORMATION CONTAINED IN THIS DOCUMENT IS THE PROPERTY OF LUMEX OPTO/COMPONENTS, INC. EXCEPT AS SPECIFICALLY AUTHORIZED IN WRITING BY LUMEX OPTO/COMPONENTS, INC., THE HOLDER OF THIS DOCUMENT SHALL KEEP ALL INFORMATION CONTAINED HEREIN CONFIDENTIAL AND SHALL PROTECT SAME IN WHOLE OR IN PART FROM DISCLOSURE AND DISSEMINATION TO ALL THIRD PARTIES.

DATE: 6-27-97

DWN:

CHK'D:

APPD:

SCALE: N/A

 T-5mm (T-1 3/4) LED, GREEN DIFFUSED
 WITH 6" WIRE LEADS, LOW CURRENT SELECTION

PAGE 1 OF 1

DRAWING NUMBER
SSI-LX5093LGD-150

REV