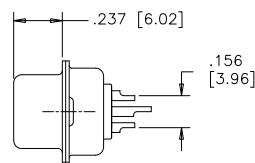
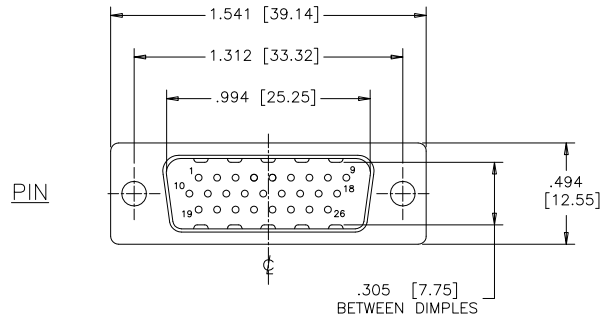


REVISIONS			
REV	ECN, ERN NO.	DATE	APPRD.
B	UPDATED AS PER EAR 14080	MAY25/12	S.M.
C	PRODUCT DWG PER EAR 14367	APR30/15	K.L.



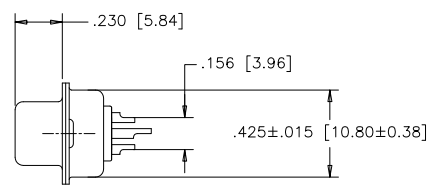
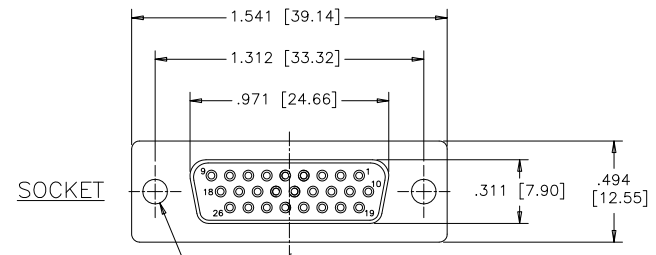
**ORDERING CODE:**

PART NUMBER: 1 7 E H D - 0 2 6 P A M - 1 0 0

SERIES \_\_\_\_\_  
 NUMBER OF CONTACTS 026  
 STYLE \_\_\_\_\_  
 P=PIN  
 S=SOCKET

**TERMINATION-MOUNTING OPTIONS**  
 000= SOLDER CUP, .120 [3.05] DIA. THROUGH HOLE  
 100= SOLDER CUP, #4-40 UNC THREADED HOLES  
 200= SOLDER CUP, #4-40 UNC HEX JACK SOCKETS INSTALLED

**CONTACT PLATING OPTIONS FOR ENGAGEMENT AREA**  
 AA= 3μ" [0.08 MICRONS] GOLD FLASH  
 CH= 15μ" [0.38 MICRONS] GOLD  
 AM= 30μ" [0.76 MICRONS] GOLD



**SPECIFICATIONS:**

**MATERIALS:** ALL MATERIALS ARE RoHS COMPLIANT

**SHELL:** STEEL, TIN PLATED

**INSERTS:** HIGH TEMPERATURE RESISTANT NYLON, GLASS REINFORCED, UL FLAMMABILITY RATING 94V-0, COLOUR: BLACK

**CONTACTS:** COPPER ALLOY, GOLD PLATING (SEE ORDERING CODE) OVER 50u" [1.27 MICRONS] NICKEL ON ENGAGEMENT AREA WITH 100u" [2.54 MICRONS] MIN. MATTE TIN ON CONTACT TERMINALS.

TERMINATION-MTG. OPTION 000  
 SOLDER CUP,  
 .120 [3.05] DIA.  
 THROUGH HOLE (2 PLACES)

**ELECTRICAL DATA:**

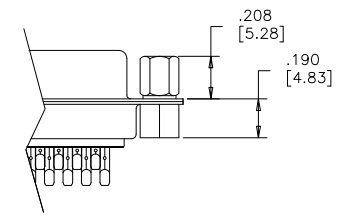
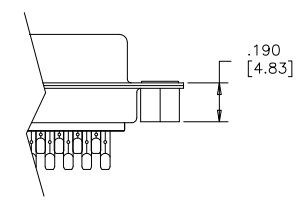
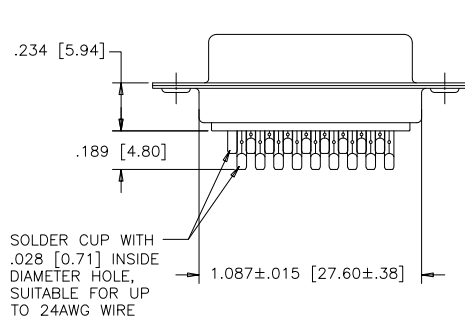
**CURRENT RATING:** 3 AMP

**CONTACT RESISTANCE:** 15 MILLIOHMS MAX.

**INSULATION RESISTANCE:** 3000 MEGOHMS MIN.

**DIELECTRIC WITHSTANDING VOLTAGE:** 1000 VAC rms

**OPERATING TEMPERATURE:** -55°C TO +105°C



DRAWN	J.LEE	DATE	OCT03/06
DESIGNED			
CHECKED	K.LAMBIE	DATE	OCT03/06
I. E. APPRD.			
Q. A. APPRD.			
DWG. APPRD.			
ENG. REL. NO.			
REF.	EAR 12956		
DIMENSIONS ARE IN	CODE ID. NO.		
INCHES	03554		

Amphenol Canada Corp.			
TITLE 17EHD SERIES HIGH DENSITY D-SUB CONNECTOR, 26 SIZE, SOLDER CUP, PLATING & MOUNTING OPTIONS, RoHS COMPLIANT			
DWG	DRAWING NO.	REV.	
C	P-17EHD-026XXX-X00	C	
SCALE	2/1	WT.	-----
SURF.	-----	SHEET	1 OF 1

THIS DOCUMENT CONTAINS PROPRIETARY INFORMATION AND SUCH INFORMATION MAY NOT BE DISCLOSED TO OTHERS FOR ANY PURPOSE OR USED FOR MANUFACTURING PURPOSES WITHOUT WRITTEN PERMISSION FROM AMPHENOL CANADA CORP.