

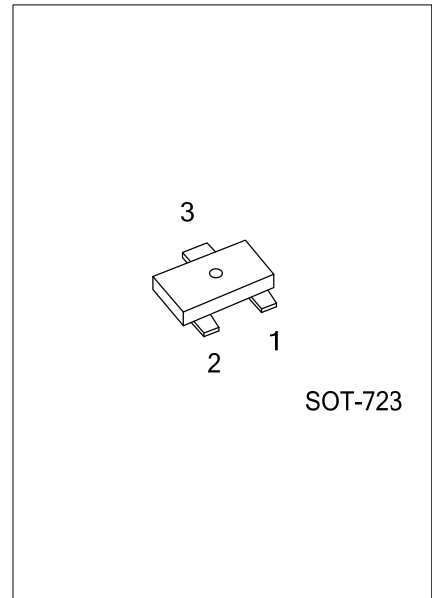


K4059

Preliminary

N-CHANNEL JFET

FIELD EFFECT TRANSISTOR SILICON N CHANNEL JUNCTION TYPE



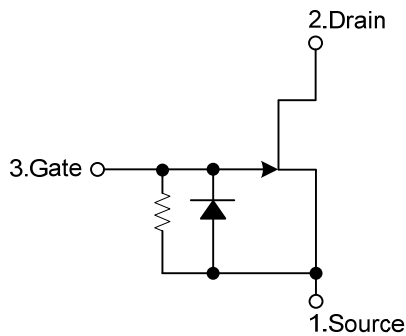
DESCRIPTION

The UTC **K4059** is an N-channel JFET, it uses UTC's advanced technology to provide customers with low input capacitance and low forward transfer admittance.

FEATURES

- * Low forward transfer admittance
- * Low input capacitance

EQUIVALENT CIRCUIT



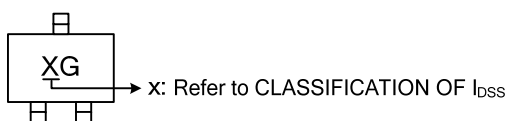
ORDERING INFORMATION

Ordering Number	Package	Pin Assignment			Packing
		1	2	3	
K4059G-x-AQ3-R	SOT-723	S	D	G	Tape Reel

Note: Pin Assignment: S: Source D: Drain G: Gate

Ordering Number	(1)Packing Type	(1) R: Tape Reel
(2)Package Type	(2) AQ3: SOT-723	
(3)Rank	(3) x: refer to CLASSIFICATION OF I_{BSS}	
(4)Green Package	(4) G: Halogen Free and Lead Free	

MARKING



■ ABSOLUTE MAXIMUM RATINGS ($T_A=25^\circ\text{C}$, unless otherwise specified)

PARAMETER	SYMBOL	RATINGS	UNIT
Gate-Drain Voltage	V_{GDO}	-20	V
Gate-Current	I_G	10	mA
Drain Power Dissipation ($T_A=25^\circ\text{C}$)	P_D	100	mW
Junction Temperature	T_J	125	$^\circ\text{C}$
Storage Temperature Range	T_{STG}	-55~125	$^\circ\text{C}$

Note: Absolute maximum ratings are those values beyond which the device could be permanently damaged. Absolute maximum ratings are stress ratings only and functional device operation is not implied.

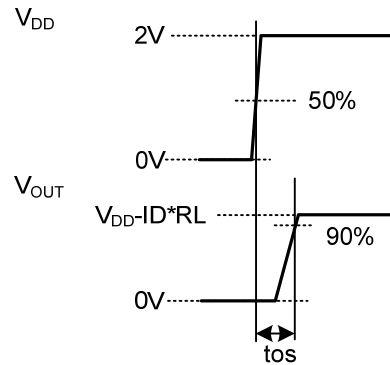
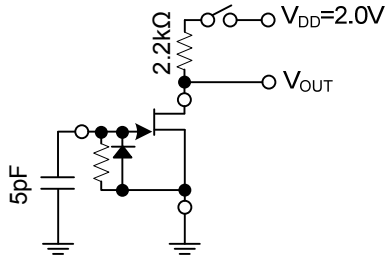
■ ELECTRICAL CHARACTERISTICS ($T_A=25^\circ\text{C}$, unless otherwise specified)

PARAMETER	SYMBOL	TEST CONDITIONS	MIN	TYP	MAX	UNIT	
Drain Current	I_{DSS}	$V_{GS}=0, V_{DS}=2V$	K4059-A	140	240	μA	
			K4059-B	210	350	μA	
			K4059-C	320	500	μA	
Drain Current	I_D	$V_{DD}=2V, R_L=2.2k\Omega, C_g=5pF$	K4059-A	125	260	μA	
			K4059-B	190	370	μA	
			K4059-C	290	500	μA	
Gate-Drain Voltage	$V_{(BR)GDO}$	$I_G=-10\mu\text{A}$	-20			V	
Gate-Source Cut-Off Voltage	$V_{GS(OFF)}$	$V_{DS}=2V, I_D=1\mu\text{A}$	-0.1		-1.0	V	
Forward Transfer Admittance	$ Y_{fs} $	$V_{DS}=2V, V_{GS}=0V$	1.35	1.85		mS	
Input Capacitance	C_{ISS}	$V_{DS}=2V, V_{GS}=0, f=1\text{MHz}$		4.0		pF	
Voltage Gain	G_V	$V_{DD}=2V, R_L=2.2k\Omega, C_g=5pF, f=1\text{kHz}, V_{IN}=100\text{mV}$	K4059-A	-1.2	+0.9		dB
			K4059-B	-0.2	+1.4		dB
			K4059-C	+0.5	+1.8		dB
Delta Voltage Gain	$\Delta G_{V(f)}$	$V_{DD}=2V, R_L=2.2k\Omega, C_g=5pF, f=1\text{kHz}\sim 100\text{Hz}, V_{IN}=100\text{mV}$		0	-1	dB	
Delta Voltage Gain	$\Delta G_{V(V)}$	$V_{DD}=2V\sim 1.5V, R_L=2.2k\Omega, C_g=5pF, f=1\text{kHz}, V_{IN}=100\text{mV}$	K4059-A		-0.6	-1.1	dB
			K4059-B		-0.8	-1.7	dB
			K4059-C		-1.4	-3.2	dB
Noise Voltage	V_N	$V_{DD}=2V, R_L=1k\Omega, C_g=10pF, G_V=80\text{dB}, \text{A-Curve Filter}$	K4059-A		33	75	mV
			K4059-B		38	80	mV
			K4059-C		42	90	mV
Total Harmonic Distortion	THD	$V_{DD}=2V, R_L=2.2k\Omega, C_g=5pF, f=1\text{kHz}, V_{IN}=50\text{mV}$	K4059-A		1.3		%
			K4059-B		0.6		%
			K4059-C		0.1		%
Time Output Stability	t_{OS}	$V_{DD}=2V, R_L=2.2k\Omega, C_g=5pF$		100	200	ms	

■ CLASSIFICATION OF I_{DSS}

RANK	A	B	C
RANGE	140-240	210-350	320-500

■ TEST CIRCUIT



UTC assumes no responsibility for equipment failures that result from using products at values that exceed, even momentarily, rated values (such as maximum ratings, operating condition ranges, or other parameters) listed in products specifications of any and all UTC products described or contained herein. UTC products are not designed for use in life support appliances, devices or systems where malfunction of these products can be reasonably expected to result in personal injury. Reproduction in whole or in part is prohibited without the prior written consent of the copyright owner. The information presented in this document does not form part of any quotation or contract, is believed to be accurate and reliable and may be changed without notice.