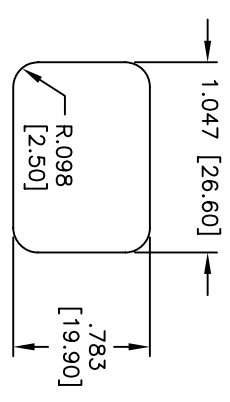
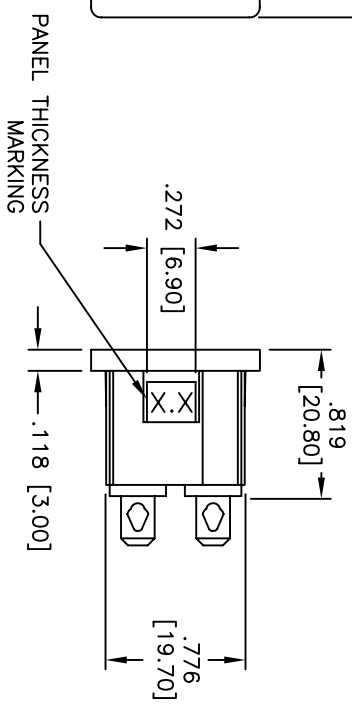
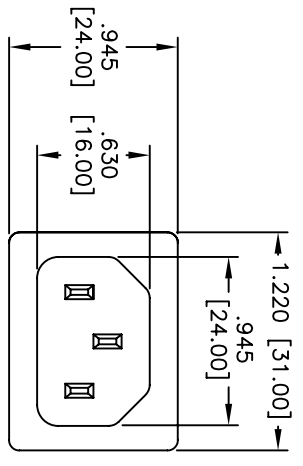


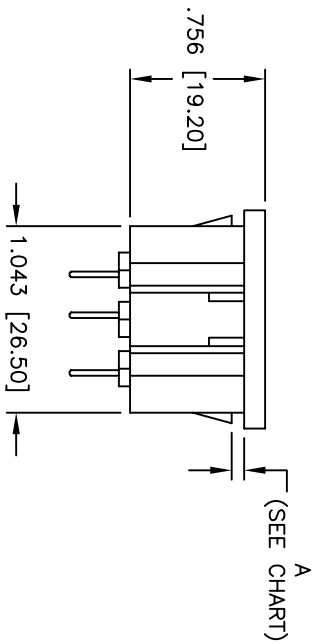
Rev	AWO #	Description	Date	Appr
-		RELEASED	6/16/05	

APPROVED: \_\_\_\_\_  
 DATE: \_\_\_\_\_ TITLE: \_\_\_\_\_



RECOMMENDED PANEL  
 CUT-OUT  
 THICKNESS: 0.8mm-3.0mm

PART NUMBER	DIMENSION
IEC-C-X-080	.031 [0.80]
IEC-C-X-150	.059 [1.50]
IEC-C-X-300	.118 [3.00]



EXAMPLE ORDERING CODE

IEC — C — 1 — 150  
 BODY STYLE | PANEL THICKNESS  
 DIM. "A"  
 080 = 0.80mm  
 150 = 1.50mm  
 300 = 3.00mm

- TERMINALS  
 1 = .187 QC  
 2 = .250 QC  
 3 = SOLDER .157"  
 5 = SOLDER .098"

TERMINAL OPTIONS	TERMINAL OPTIONS	TERMINAL OPTIONS	TERMINAL OPTIONS
-1	-2	-3	-5
.187 Q.C.	.250 Q.C.	.157 Solder	.098 Solder

SPECIFICATIONS:  
 Material: Nylon 66, glass reinforced, rated UL 94V-0  
 Insulator color: Black  
 Contacts: Brass  
 Plating: Tin over Copper underplate overall  
 Electrical:  
 Operating voltage: 250 VAC  
 Current rating: UL & CSA: 15 Amps max  
 VDE: 10 Amps max  
 Insulation resistance: 100 Mohms min @ 500 VDC  
 Dielectric withstanding voltage: 2,000 VAC for 1 minute  
 Temperature Rating:  
 Operating temperature: -25°C to +70°C  
 Environmental:  
 Lead free, RoHS compliant



**ADAM TECH**

909 Rahway Avenue, Union, NJ 07083  
 Phone: 908-687-5000 Fax: 908-687-5710

UNLESS OTHERWISE SPECIFIED ALL DIMENSIONS ARE INCHES [MM]	
TOLERANCES: EXCEPT AS NOTED	HOLDS
.X ± .10	ØX ± .10
.XX ± .020	ØXX ± .015
.XXX ± .015	ØXXX ± .010
APPROVALS	DATE
DRAWN	SS
CHECKED	
APPROVED	

TITLE		IEC MALE INLET, SNAP-IN PANEL MOUNT	
SIZE	PART NO.	IEC-C-X-XXX	
REF:	SCALE:	NTS	SHEET 1 OF 1
REV.			