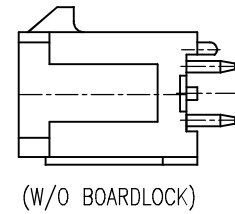
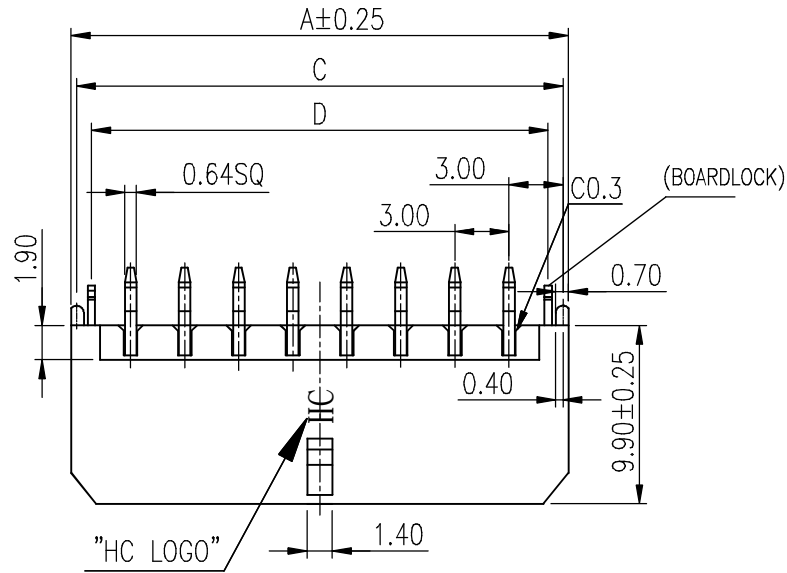


This document is the property of Amphenol Corporation and is delivered on the express condition that it is not to be disclosed, reproduced or used, in whole or in part, for manufacture or sale by anyone other than Amphenol Corporation without its prior consent, and that no right is granted to disclose or to use any information in this document.

The marking on this product doesn't contain environmental hazardous materials per Material Specification SS-00259 for Sony GP compliant or per directive 2011/65/EU for RoHS compliant.

FOR REFERENCE ONLY

REVISIONS				
SYM	ECN No.	DESCRIPTION	DATE	APPROVED
A	NE-14098	RELEASE FOR RoHS	06/14/2014	Arron Lin
BX1	EDSR#5399	ADD W/O BOARDLOCK OPTION	02/10/2015	Arron Lin



NOTE:

1.MATERIAL

INSULATOR: HIGH TEMP. THERMOPLASTIC, OPTIONS, UL 94V-0, COLOR OPTIONS

CONTACT MATERIAL: HIGH PERFORMANCE COPPER ALLOY.

BOARDLOCK: COPPER ALLOY.

2.FINISH:

CONTACT: SELECTIVE PLATING. ;

SOLDERING AREA: MATTE TIN 100u" MIN. OR GOLD PLATING;

UNDER PLATING: NICKEL PLATING 50 μ" THICKNESS MIN. OVERALL.

BOARDLOCK:

MATTE TIN 100u" MIN. PLATING;

UNDER PLATING: NICKEL PLATING 50 μ" THICKNESS MIN. OVERALL.

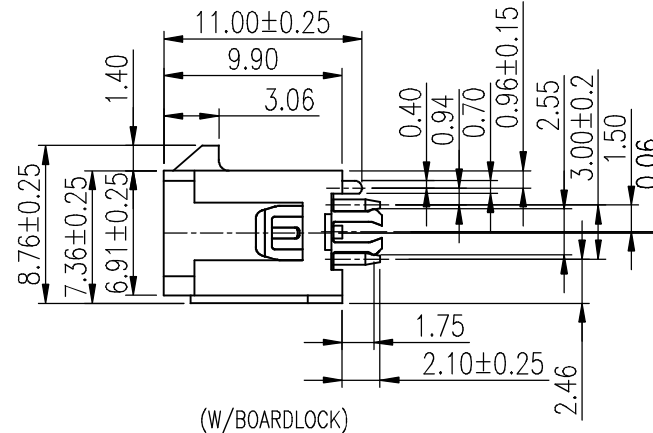
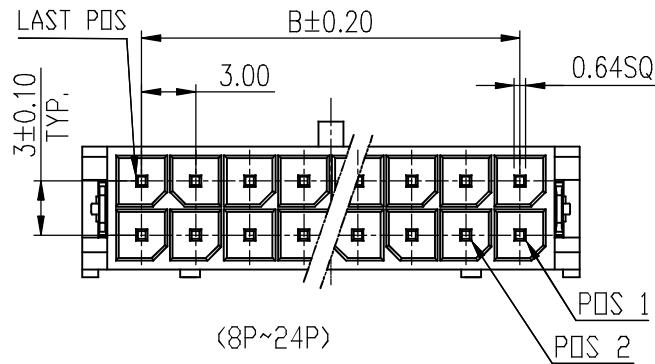
4.THIS PRODUCT DOESN'T ENVIRONMENTAL HAZARDOUS

MATERIALS PER DIRECTIVE 2011/65/EU FOR RoHS.

5.PACKING MUST BE PER Amphenol PACKING SPECIFICATION

6.TO ENSURE CURRENT RATING CAPABILITY, PLEASE ADOPT TOTAL SOLUTION.

(G88MPH CABLE HOUSING SERIES WITH G88MPC CABLE TERMINAL SERIES)



POS	A	B	C	D
02	6.60		6.00	4.3
04	9.60	3.00	9.00	7.3
06	12.60	6.00	12.00	10.3
08	15.60	9.00	15.00	13.3
10	18.60	12.00	18.00	16.3
12	21.60	15.00	21.00	19.3
14	24.60	18.00	24.00	22.3
16	27.60	21.00	27.00	25.3
18	30.60	24.00	30.00	28.3
20	33.60	27.00	33.00	31.3
22	36.60	30.00	36.00	34.3
24	39.60	33.00	39.00	37.3

PART NO. G88MPXX1X2XXEU

No. OF CIRCUIT

BOARD MOUNT OPTION

C: W/BOARDLOCK

D: W/O BOARDLOCK

CONTACT FINISH

0: MATTE TIN (OVERALL)

UNDER PLATING NICKEL 50 μ" THICKNESS MIN

1: FLASH GOLD (OVERALL)

2: 15 u" GOLD

3: 30 u" GOLD

INSULATOR

BLANK: LCP (BLACK)

1: LCP (NATURAL)

TOLERANCE	APPROVALS	DATE	TITLE	
X. ±0.30	DRAWN Debby Hung	02/10/2015	G88MP SERIES MICRO POWER PLUS, WAFER 3.00 MM PITCH STRAIGHT DIP, W/BLOCK	
X.X ±0.20				
X.XX ±0.10	CHECKED Roger Tsai	02/10/2015		
ANGULAR ±1°	APPROVED Arron Lin	02/10/2015	UNIT mm	SIZE A3
UNLESS OTHERWISE SPECIFIED	DWG TYPE CUST DWG	PROJECT CODE PHD	SCALE NA	SHEET 1 OF 4

Amphenol®

Amphenol Corporation
Amphenol Taiwan Corporation

PART No. G88MPXX1X2XXEU

DWG No. G88MPXX1X2XXEU

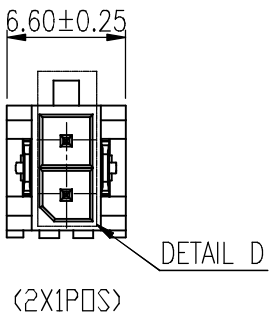
REV. BX1

This document is the property of Amphenol Corporation and is delivered on the express condition that it is not to be disclosed, reproduced or used in whole or in part, for manufacture or sale by anyone other than Amphenol Corporation without its prior consent, and that no right is granted to disclose or to use any information in this document.

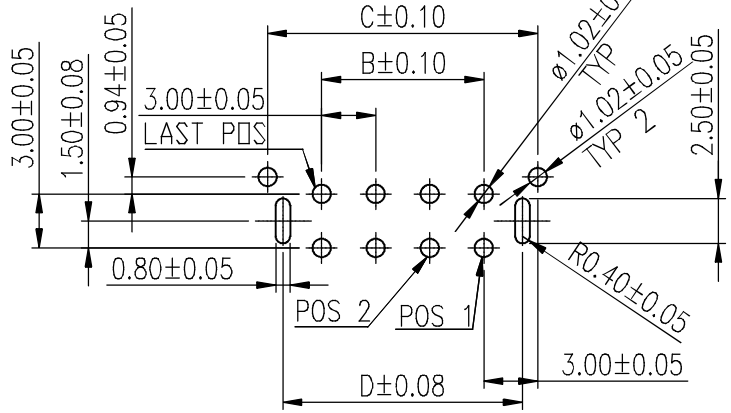
The marking on this product doesn't contain environmental hazardous materials per Material Specification SS-00259 for Sony GP compliant or per directive 2011/65/EU for RoHS compliant.

REVISIONS				
SYM	ECN No.	DESCRIPTION	DATE	APPROVED
A	NE-14098	RELEASE FOR RoHS	06/14/2014	Arron Lin
BX1	EDSR#5399	ADD W/O BOARDLOCK OPTION	02/10/2015	Arron Lin

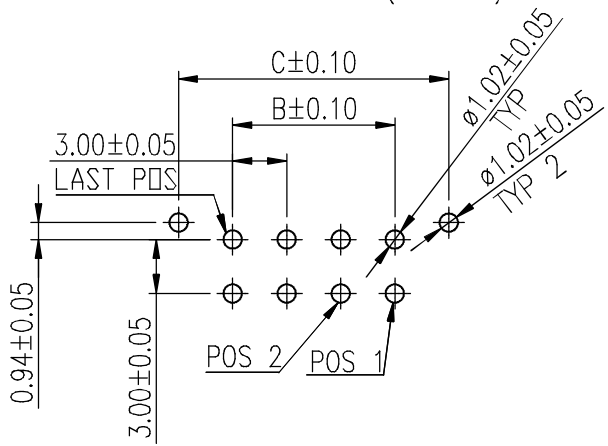
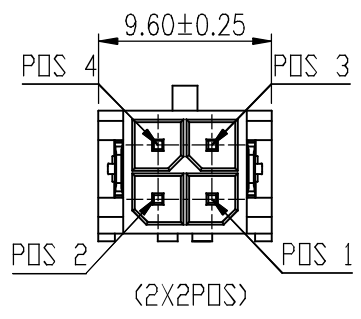
FOR REFERENCE ONLY



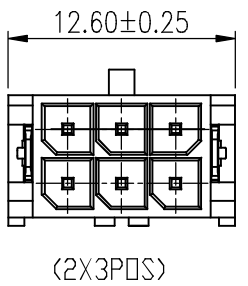
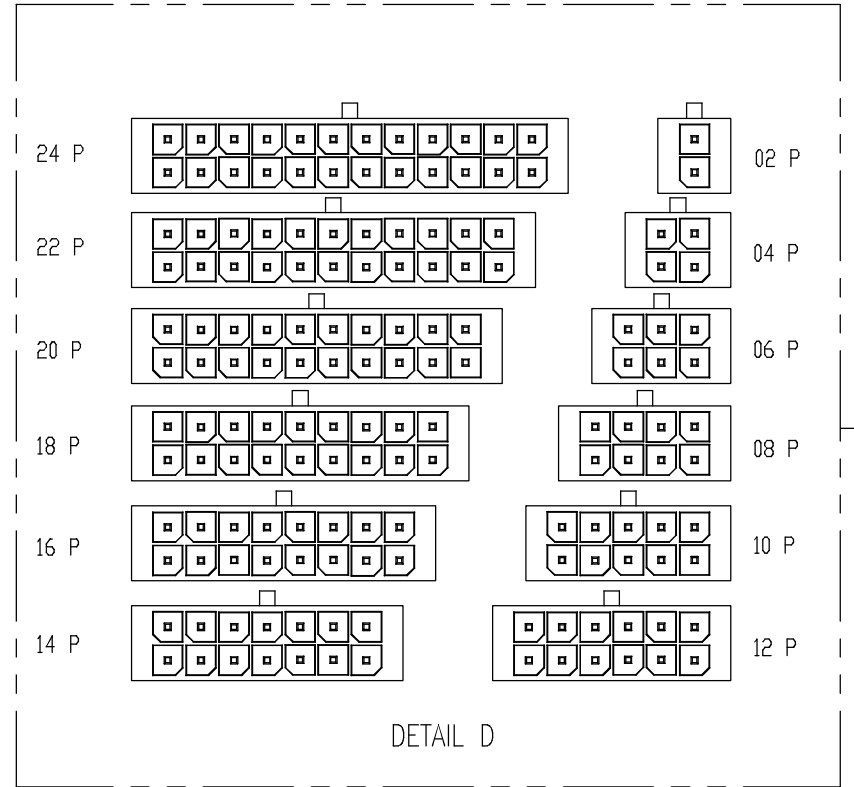
DETAIL D



02~24P (W/BOARDLOCK)
RECOMMENDED PCB LAYOUT (T=1.60mm)



02~24P (W/O BOARDLOCK)
RECOMMENDED PCB LAYOUT (T=1.60mm)



TOLERANCE	APPROVALS	DATE	TITLE		PART No.	
X. ±0.30	DRAWN Debby Hung	02/10/2015	G88MP SERIES MICRO POWER PLUS, WAFER 3.00 MM PITCH STRAIGHT DIP, W/BLOCK		Amphenol [®] Amphenol Corporation Amphenol Taiwan Corporation	
X.X ±0.20	CHECKED Roger Tsai	02/10/2015				
X.XXX ±0.10	APPROVED Arron Lin	02/10/2015				
ANGULAR ±1°	DWG TYPE CUST DWG	PROJECT CODE PHD	UNIT mm	SIZE A3	G88MPXX1X2XXEU	
UNLESS OTHERWISE SPECIFIED			SCALE NA	SHEET 2 OF 4	DWG No. G88MPXX1X2XXEU	REV. BX1

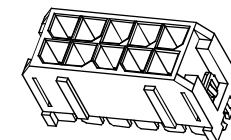
This document is the property of Amphenol Corporation and is delivered on the express condition that it is not to be disclosed, reproduced or used, in whole or in part, for manufacture or sale by anyone other than Amphenol Corporation without its prior consent, and that no right is granted to disclose or to use any information in this document.

The marking on this product doesn't contain environmental hazardous materials per Material Specification SS-00259 for Sony GP compliant or per directive 2011/65/EU for RoHS compliant.

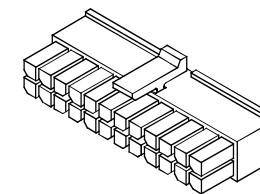
REVISIONS				
SYM	ECN No.	DESCRIPTION	DATE	APPROVED
A	NE-14098	RELEASE FOR RoHS	06/14/2014	Arron Lin
BX1	EDSR#5399	ADD W/O BOARDLOCK OPTION	02/10/2015	Arron Lin

FOR REFERENCE ONLY

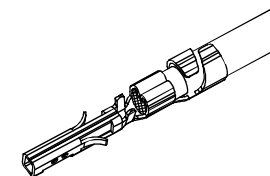
POS.	BOARD-MOUNT P/N	CABLE HOUSING P/N	CABLE TERMINAL P/N	AWG NO.	PLATING OPTIONS
02	G88MP021X2XXEU	G88MPH0222CEU	G88MPCX232CEU	AWG#16~18	0: TIN 100u" ; 1: FLASH GOLD
			G88MPCX332CEU	AWG#20~30	2: 15u" GOLD ; 3: 30u" GOLD
04	G88MP041X2XXEU	G88MPH0422CEU	G88MPCX232CEU	AWG#16~18	0: TIN 100u" ; 1: FLASH GOLD
			G88MPCX332CEU	AWG#20~30	2: 15u" GOLD ; 3: 30u" GOLD
06	G88MP061X2XXEU	G88MPH0622CEU	G88MPCX232CEU	AWG#16~18	0: TIN 100u" ; 1: FLASH GOLD
			G88MPCX332CEU	AWG#20~30	2: 15u" GOLD ; 3: 30u" GOLD
08	G88MP081X2XXEU	G88MPH0822CEU	G88MPCX232CEU	AWG#16~18	0: TIN 100u" ; 1: FLASH GOLD
			G88MPCX332CEU	AWG#20~30	2: 15u" GOLD ; 3: 30u" GOLD
10	G88MP101X2XXEU	G88MPH1022CEU	G88MPCX232CEU	AWG#16~18	0: TIN 100u" ; 1: FLASH GOLD
			G88MPCX332CEU	AWG#20~30	2: 15u" GOLD ; 3: 30u" GOLD
12	G88MP121X2XXEU	G88MPH1222CEU	G88MPCX232CEU	AWG#16~18	0: TIN 100u" ; 1: FLASH GOLD
			G88MPCX332CEU	AWG#20~30	2: 15u" GOLD ; 3: 30u" GOLD
14	G88MP141X2XXEU	G88MPH1422CEU	G88MPCX232CEU	AWG#16~18	0: TIN 100u" ; 1: FLASH GOLD
			G88MPCX332CEU	AWG#20~30	2: 15u" GOLD ; 3: 30u" GOLD
16	G88MP161X2XXEU	G88MPH1622CEU	G88MPCX232CEU	AWG#16~18	0: TIN 100u" ; 1: FLASH GOLD
			G88MPCX332CEU	AWG#20~30	2: 15u" GOLD ; 3: 30u" GOLD
18	G88MP181X2XXEU	G88MPH1822CEU	G88MPCX232CEU	AWG#16~18	0: TIN 100u" ; 1: FLASH GOLD
			G88MPCX332CEU	AWG#20~30	2: 15u" GOLD ; 3: 30u" GOLD
20	G88MP201X2XXEU	G88MPH2022CEU	G88MPCX232CEU	AWG#16~18	0: TIN 100u" ; 1: FLASH GOLD
			G88MPCX332CEU	AWG#20~30	2: 15u" GOLD ; 3: 30u" GOLD
22	G88MP221X2XXEU	G88MPH2222CEU	G88MPCX232CEU	AWG#16~18	0: TIN 100u" ; 1: FLASH GOLD
			G88MPCX332CEU	AWG#20~30	2: 15u" GOLD ; 3: 30u" GOLD
24	G88MP241X2XXEU	G88MPH2422CEU	G88MPCX232CEU	AWG#16~18	0: TIN 100u" ; 1: FLASH GOLD
			G88MPCX332CEU	AWG#20~30	2: 15u" GOLD ; 3: 30u" GOLD



AMPHENOL BOARD-MOUNT



AMPHENOL CABLE HOUSING



AMPHENOL CABLE TERMINAL

NOTE:
TO ENSURE CURRENT RATING CAPABILITY, PLEASE
ADOPT TOTAL SOLUTION.
(G88MPH CABLE HOUSING SERIES WITH G88MPC
CABLE TERMINAL SERIES)

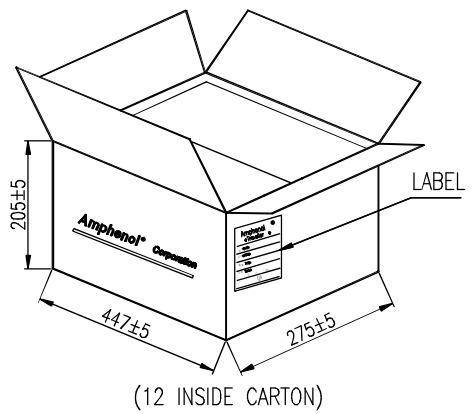
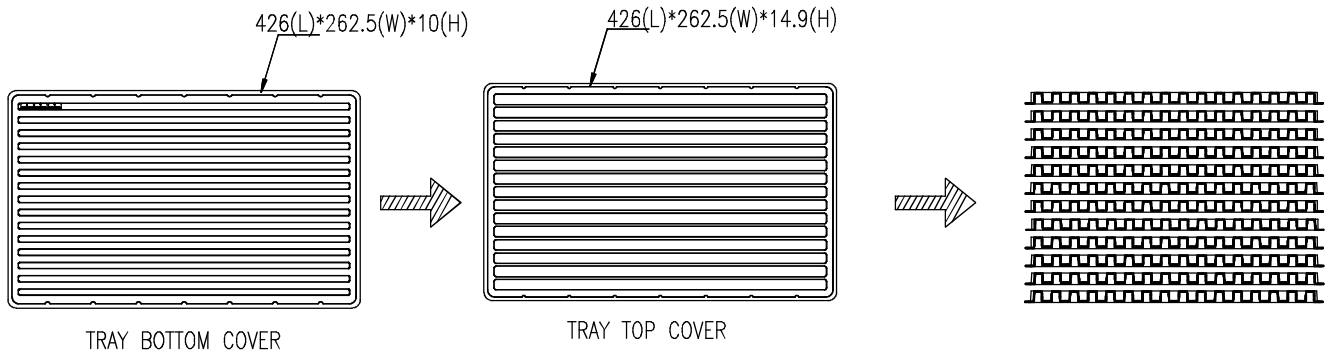
TOLERANCE	APPROVALS	DATE	TITLE		PART No.	
X. X.X ±0.30 X.XX ±0.20 X.XXX ±0.10	DRAWN Debby Hung	02/10/2015	G88MP SERIES MICRO POWER PLUS, WAFER 3.00 MM PITCH STRAIGHT DIP, W/BLOCK		Amphenol [®] Amphenol Corporation Amphenol Taiwan Corporation	
ANGULAR ±1°	CHECKED Roger Tsai	02/10/2015	UNIT mm	SIZE A3	G88MPXX1X2XXEU	
UNLESS OTHERWISE SPECIFIED	APPROVED Arron Lin	02/10/2015	SCALE NA	SHEET 3 OF 4	DWG No.	REV. BX1
	DWG TYPE CUST DWG	PROJECT CODE PHD			G88MPXX1X2XXEU	

This document is the property of Amphenol Corporation and is delivered on the express condition that it is not to be disclosed, reproduced or used, in whole or in part, for manufacture or sale by anyone other than Amphenol Corporation without its prior consent, and that no right is granted to disclose or to use any information in this document.

The marking on this product doesn't contain environmental hazardous materials per Material Specification SS-00259 for Sony GP compliant or per directive 2011/65/EU for RoHS compliant.

REVISIONS				
SYM	ECN No.	DESCRIPTION	DATE	APPROVED
A	NE-14098	RELEASE FOR RoHS	06/14/2014	Arron Lin
BX1	EDSR#5399	ADD W/O BOARDLOCK OPTION	02/10/2015	Arron Lin

FOR REFERENCE ONLY



POS	PCS/TRAY	PCS/CARTON
2	900	10800
4	615	7380
6	465	5580
8	375	4500
10	315	3780
12	270	3240
14	240	2880
16	210	2520
18	180	2160
20	165	1980
22	150	1800
24	150	1800

- NOTE:
1. MATERIAL : BLACK CONDUCTIVE POLYSTYRENE ALLOY
 2. ALL DIMENSIONS MEET EIA-481-C REQUIREMENTS.
 3. THICKNESS : 0.80±0.05mm.

TOLERANCE	APPROVALS	DATE	TITLE		Amphenol [®]	
X. ±0.30	DRAWN Debby Hung	02/10/2015	G88MP SERIES MICRO POWER PLUS, WAFER 3.00 MM PITCH STRAIGHT DIP, W/BLOCK		Amphenol Corporation Amphenol Taiwan Corporation	
X.X ±0.20	CHECKED Roger Tsai	02/10/2015				
X.XXX ±0.10	APPROVED Arron Lin	02/10/2015				
ANGULAR ±1°	DWG TYPE CUST DWG	PROJECT CODE PHD	UNIT mm	SIZE A3	PART No. G88MPXX1X2XXEU	
UNLESS OTHERWISE SPECIFIED			SCALE NA	SHEET 4 OF 4	DWG No. G88MPXX1X2XXEU REV. BX1	