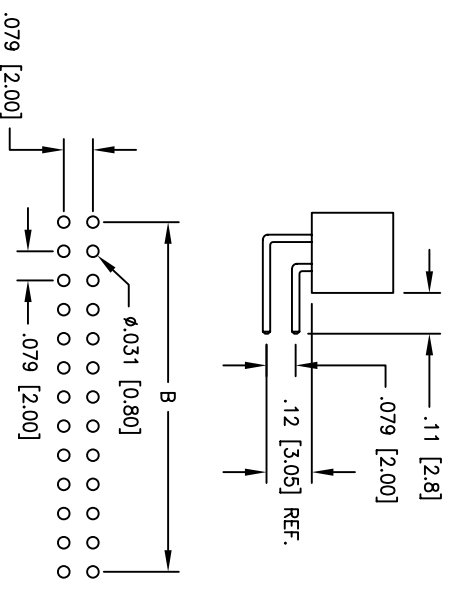
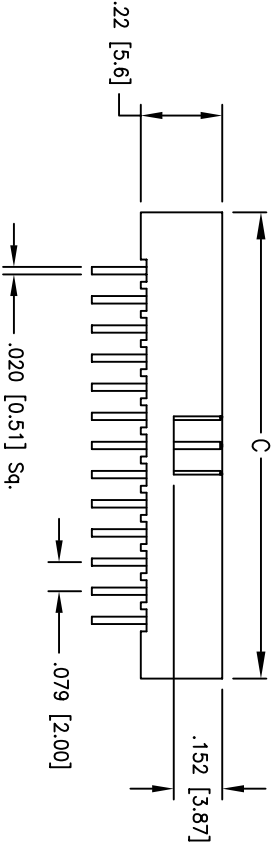
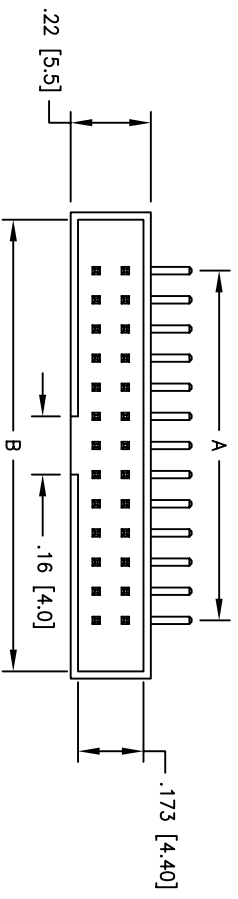


| Rev | AWO # | Description | Date    | Appr |
|-----|-------|-------------|---------|------|
| -   |       | RELEASED    | 9/25/08 |      |

APPROVED: \_\_\_\_\_ TITLE: \_\_\_\_\_  
 DATE: \_\_\_\_\_

| POSITION | A             | B             | C             |
|----------|---------------|---------------|---------------|
| 10       | .315 [8.00]   | .633 [16.08]  | .673 [17.10]  |
| 12       | .394 [10.00]  | .712 [18.08]  | .752 [19.10]  |
| 14       | .472 [12.00]  | .791 [20.08]  | .831 [21.10]  |
| 16       | .551 [14.00]  | .869 [22.08]  | .909 [23.10]  |
| 20       | .709 [18.00]  | 1.027 [26.08] | 1.067 [27.10] |
| 26       | .945 [24.00]  | 1.263 [32.08] | 1.303 [33.10] |
| 34       | 1.260 [32.00] | 1.578 [40.08] | 1.618 [41.10] |
| 40       | 1.496 [38.00] | 1.814 [46.08] | 1.854 [47.10] |
| 44       | 1.654 [42.00] | 1.972 [50.08] | 2.012 [51.10] |
| 50       | 1.890 [48.00] | 2.208 [56.08] | 2.248 [57.10] |
| 68       | 2.598 [66.00] | 2.917 [74.08] | 2.957 [75.10] |



**RECOMMENDED PCB LAYOUT**  
 Tolerances: ±.004 [±.10]

**SPECIFICATIONS:**

**Material:**  
 Insulator: Nylon 6T, glass reinforced, rated UL 94V-0  
 Insulator color: Black  
**Contacts:** Brass  
**Plating:**  
 Gold flash over nickel underplate on contact area,  
 Tin over copper underplate on tails.

**Electrical:**  
 Operating voltage: 250 VAC max  
 Current rating: 1 Amp max  
 Contact resistance: 20 mohms max  
 Insulation resistance: 5000 Mohms min  
 Dielectric withstanding voltage: 1000 VAC for 1 minute  
**Temperature Rating:**  
 Operating temperature: -55°C to +105°C  
 Environmental:  
 Lead free, RoHS compliant.  
 Recommended soldering temp: 260°C for 5 sec.



|   |            |
|---|------------|
| UNLESS OTHERWISE SPECIFIED<br>ALL DIMENSIONS ARE INCHES. [MM] |            |
| TOLERANCES: EXCEPT AS NOTED                                   |            |
| INCHES  | HILES      |
| X ± .10   | ØX ±.10    |
| XX ± .020   | ØXX ±.015  |
| XXX ± .015  | ØXXX ±.010 |
| APPROVALS   | DATE       |
| DRAWN DY  | 9/25/08    |
| CHECKED   |            |
| APPROVED  |            |

**ADAM TECH**  
 909 Rahway Avenue, Union, NJ 07083  
 Phone: 908-687-5000 Fax: 908-687-5710

TITLE: 2.0mm DUAL ROW, HORIZONTAL  
 MOUNT BOX HEADER, SELECTIVE GOLD PLATED  
 SIZE: PART NO. 2BHR-XX-HSGA-HT  
 REF: SCALE: NTS SHEET 1 OF 1