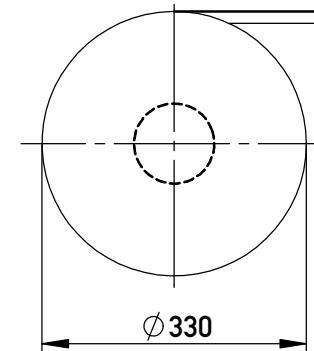
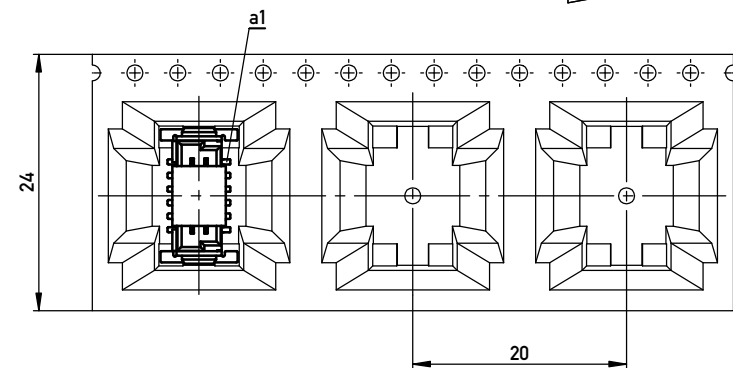


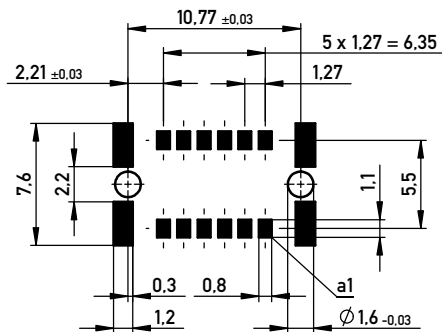
Verpackt im Gurt in Anlehnung an DIN IEC 60286-3
 Tape on Reel Packaging according to DIN IEC 60286-3
 Verpackungseinheit: 250 Stück
 Packaging unit: 250 pcs



Abspulrichtung - Reel off Direction



Leiterplatten-Layout Vorschlag für SMT
 PCB-Layout Proposal for SMT



Copyright by ERNI Production GmbH & Co., KG
 Proprietary notice pursuant to ISD 16(10) to be observed.

Information:		Tolerances	All Dimensions in mm	Scale 3:1	BA 8-23 hohe Bauhöhe type 8-23 High Profile	
All rights reserved. Only for Information. To ensure that this is the latest version of this drawing, please contact one of the ERNI companies before using.		Subject to modification without prior notice. Drawing will not be updated.		Designation Messrl. SMC-Q 12-SMD-BA8-23 Male SMC-Q 12-SMD-type8-23		
www.ERNI.com		100504120001		K A3		
e	11.06.2015	Date		Class SMCQ		