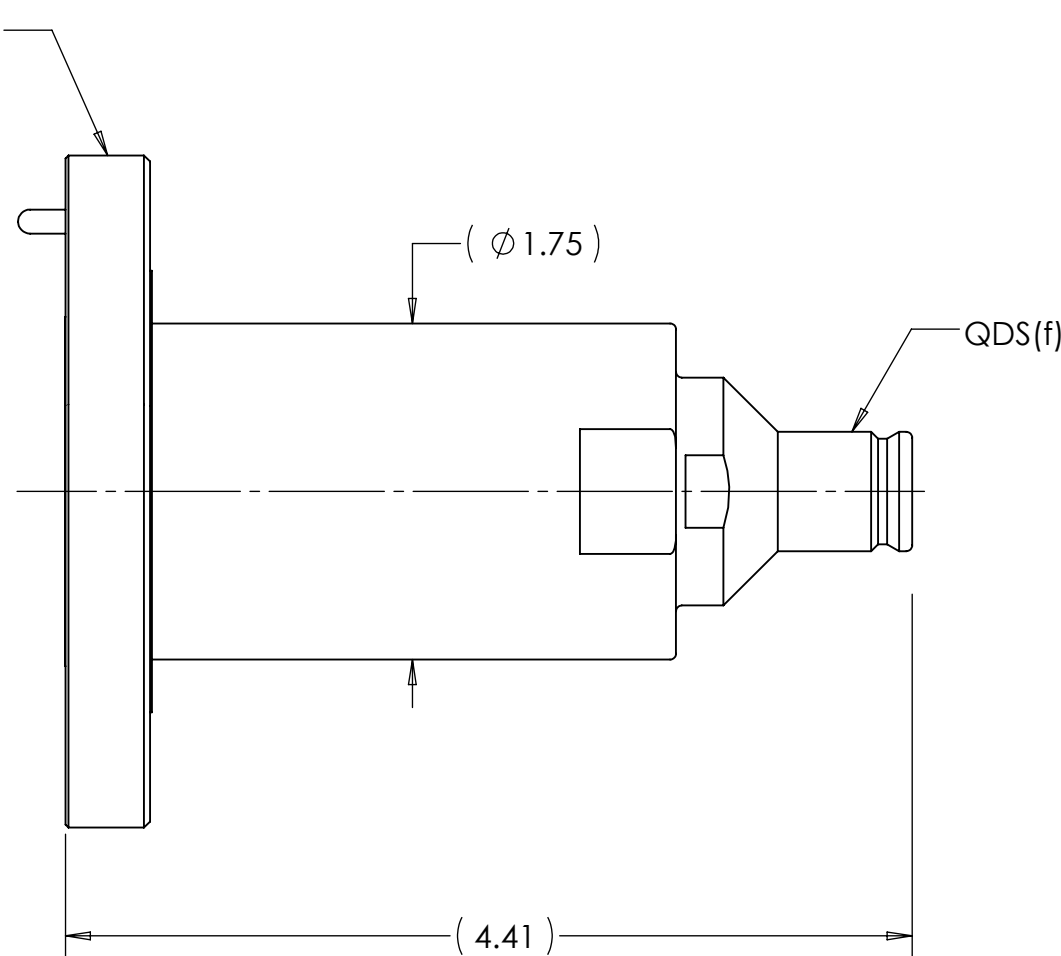
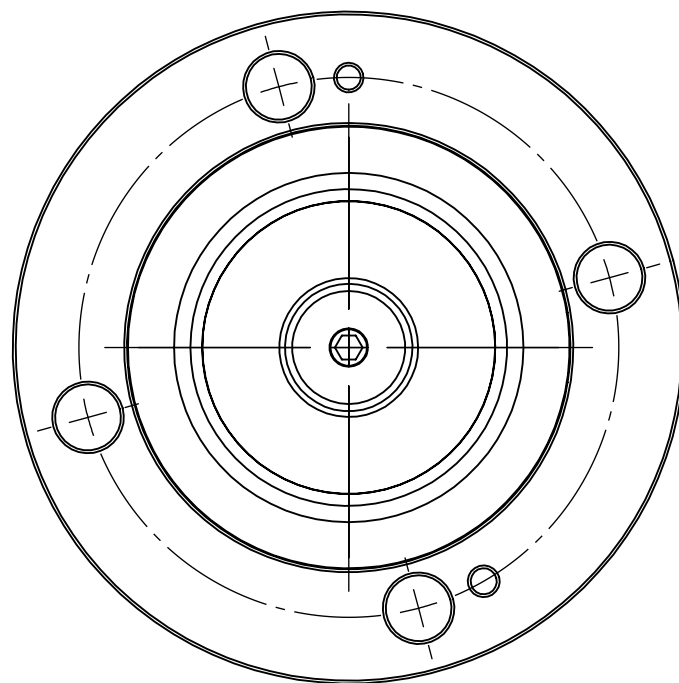
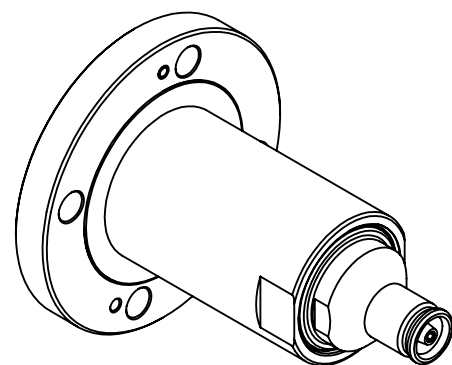


This document, including the design, configuration and mechanical features revealed herein are the sole, confidential and proprietary property of TRU Corporation. Reproduction or use thereof, in whole or part, is prohibited without the prior written consent of TRU Corporation.

REV.	DESCRIPTION	DATE	APPROVED
-	ORIGINAL ISSUE	05/13/14	AM



ENGINEERING DATA

ELECTRICAL:

IMPEDANCE: 50 OHMS NOMINAL
 FREQUENCY RANGE: DC to 1 GHz

MECHANICAL:

INTERFACE: 1-5/8 EIA(f) per EIA RS-225
 QDS(f) per TRU STANDARD

MATERIAL:


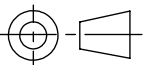
EIA CONTACT: BRASS
 QDS(f) CONTACT: BERYLLIUM COPPER
 INSULATORS: PTFE
 BODIES: BRASS

FINISH:

EIA CONTACT: SILVER PLATED
 QDS(f) CONTACT: SILVER PLATED
 BODIES: NICKEL PLATED

NOTES:

- UNLESS OTHERWISE SPECIFIED; ALL DIMENSIONS ARE FOR REFERENCE ONLY.

MATERIAL	DO NOT SCALE DRAWING	DRAWN AM	DATE 05/12/14	 TRU Corporation 245 Lynnfield St, Peabody, MA 01960 <small>EXPERIENCE. TRU INNOVATION.</small>
	UNLESS OTHERWISE SPECIFIED: DIMENSIONS ARE IN INCHES TOLERANCES: FRACTIONS: ±1/64 .XX : ±.01 .XXX: ±.005 ANGLES: ±1/2° MACHINED SURFACES: 63/√	ENG APPR. AM	DATE 05/13/14	
COMMENTS:		THIRD ANGLE PROJECTION 	MFG APPR.	DATE
	OTHER APPR.		DATE	DWG. NO. TRU-12689
surface area: sq inch	weight: lbs	CAGE CODE: 92180		SCALE: 1:1
		SHEET 1 OF 1		REV -