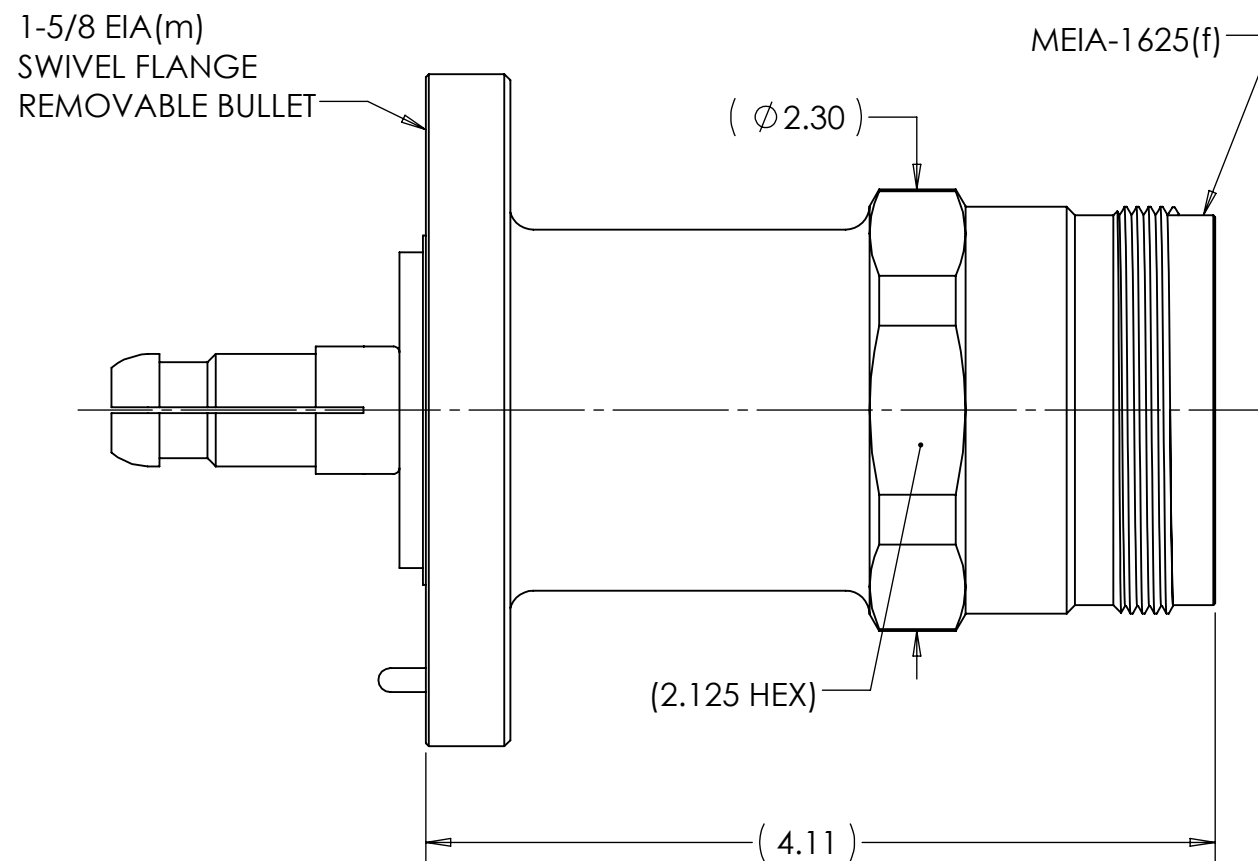
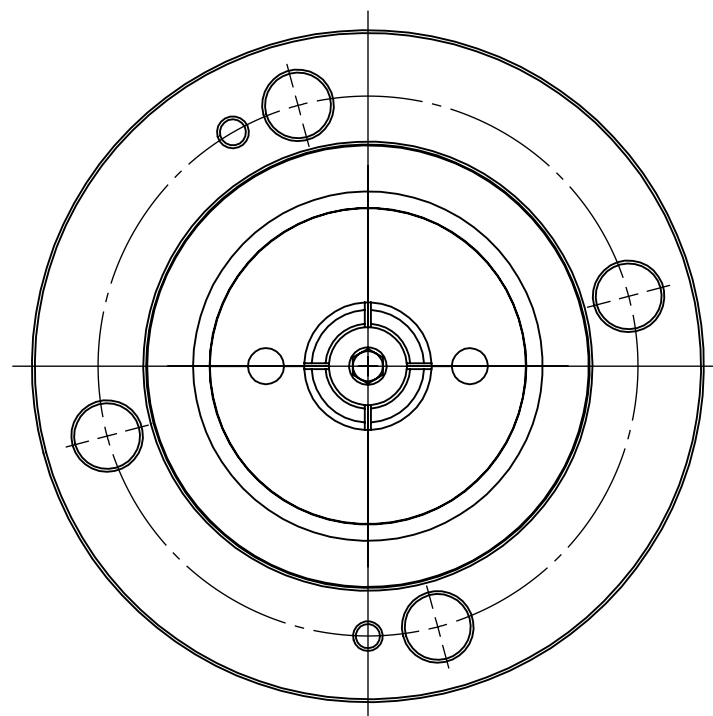
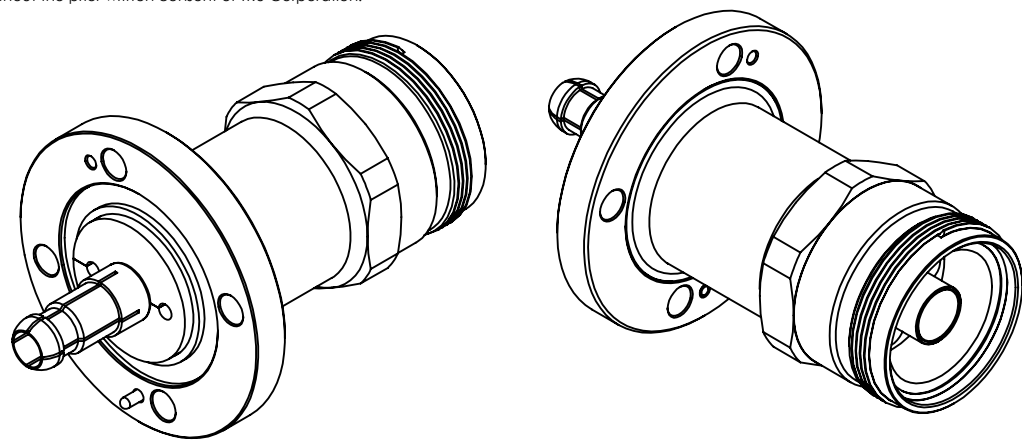


This document, including the design, configuration and mechanical features revealed herein are the sole, confidential and proprietary property of TRU Corporation. Reproduction or use thereof, in whole or part, is prohibited without the prior written consent of TRU Corporation.

REV.	DESCRIPTION	DATE	APPROVED
-	ORIGINAL ISSUE	10/03/13	AM
A	CHANGE PER ECO 4453	02/10/14	TE



ENGINEERING DATA

ELECTRICAL:
IMPEDANCE: 50 OHMS NOMINAL


MECHANICAL:
INTERFACE: MEIA-1625(f) per TRU SPEC
1-5/8 EIA per EIA RS-225

MATERIAL:
CONTACTS: BRASS
INSULATORS: PTFE
HOUSING & FLANGE: BRASS
O-RINGS: SILICONE RUBBER

FINISH:
CONTACTS: SILVER PLATED
HOUSING & FLANGE: NICKEL PLATED

NOTES:
1. UNLESS OTHERWISE SPECIFIED; ALL DIMENSIONS ARE FOR REFERENCE ONLY.

2. SUPPLIED WITH THE FOLLOWING ITEMS:
- QTY 4 5/16-18 X 1.50 HEX HEAD BOLT
 - QTY 4 5/16-18 HEX NUT
 - QTY 8 5/16 LOCKWASHER
 - QTY 1 O-RING

MATERIAL	DO NOT SCALE DRAWING	DRAWN AM	DATE 09/30/13	 TRU Corporation 245 Lynnfield St, Peabody, MA 01960 EXPERIENCE. TRU INNOVATION.
	UNLESS OTHERWISE SPECIFIED: DIMENSIONS ARE IN INCHES	ENG APPR. AM	DATE 10/01/13	
COMMENTS:	TOLERANCES: FRACTIONS: ±1/64 .XX : ±.01 .XXX: ±.005 ANGLES: ±1/2° MACHINED SURFACES: 63/√	MFG APPR.	DATE	TITLE: CONNECTOR, COAXIAL 1-5/8 EIA(m) to MEIA-1625(f) ADAPTER
		OTHER APPR.	DATE	
surface area: sq inch	weight: 2.842 lbs	THIRD ANGLE PROJECTION		SIZE B DWG. NO. TRU-12494 REV A
		CAGE CODE: 92180		SCALE: 1:1 SHEET 1 OF 1