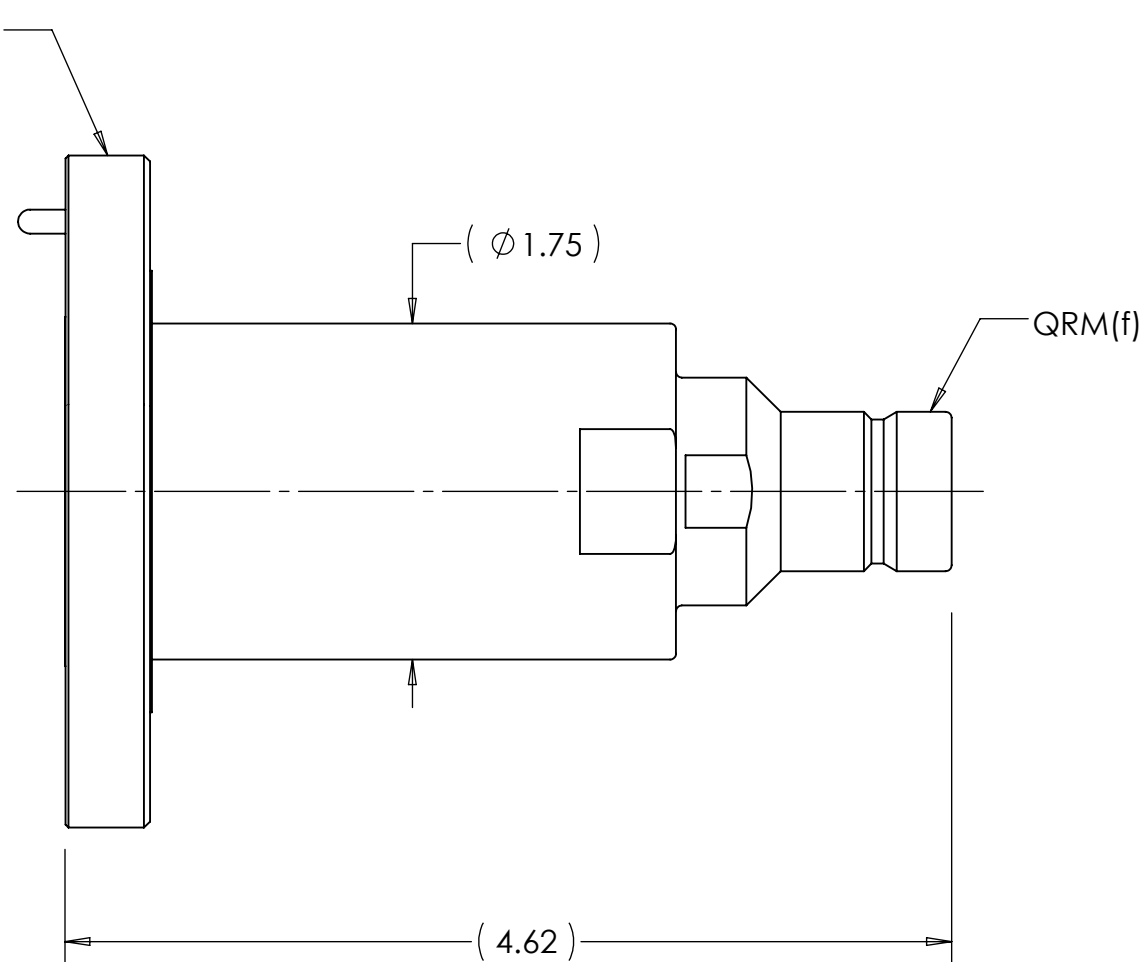
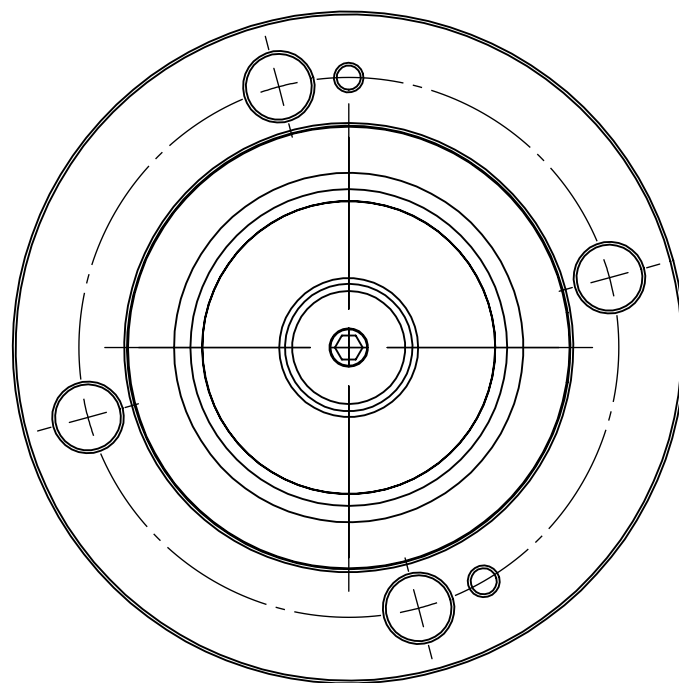
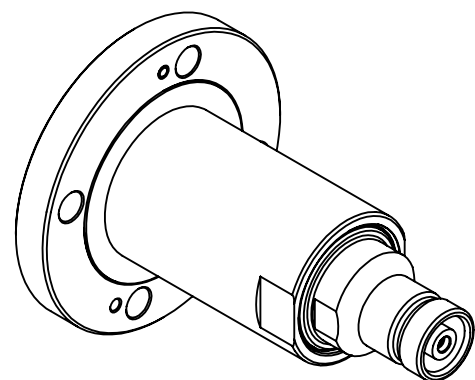


This document, including the design, configuration and mechanical features revealed herein are the sole, confidential and proprietary property of TRU Corporation. Reproduction or use thereof, in whole or part, is prohibited without the prior written consent of TRU Corporation.

REV.	DESCRIPTION	DATE	APPROVED
-	ORIGINAL ISSUE	09/13/13	AM



ENGINEERING DATA

ELECTRICAL:

IMPEDANCE: 50 OHMS NOMINAL
 FREQUENCY RANGE: DC to 1 GHz

MECHANICAL:

INTERFACE: 1-5/8 EIA(f) per EIA RS-225
 QRM(f) per TRU STANDARD

MATERIAL:


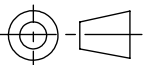
EIA CONTACT: BRASS
 QRM(f) CONTACT: BERYLLIUM COPPER
 INSULATORS: PTFE
 BODIES: BRASS

FINISH:

EIA CONTACT: SILVER PLATED
 QRM(f) CONTACT: GOLD PLATED
 BODIES: NICKEL PLATED

NOTES:

- UNLESS OTHERWISE SPECIFIED; ALL DIMENSIONS ARE FOR REFERENCE ONLY.

MATERIAL	DO NOT SCALE DRAWING	DRAWN AM	DATE 09/10/13	 TRU Corporation 245 Lynnfield St, Peabody, MA 01960 EXPERIENCE. TRU INNOVATION.
	UNLESS OTHERWISE SPECIFIED: DIMENSIONS ARE IN INCHES TOLERANCES: FRACTIONS: ±1/64 .XX : ±.01 .XXX: ±.005 ANGLES: ±1/2° MACHINED SURFACES: 63/√	ENG APPR. AM	DATE 09/11/13	
COMMENTS:		THIRD ANGLE PROJECTION 	MFG APPR.	DATE
	OTHER APPR.		DATE	DWG. NO. TRU-12453
surface area: sq inch	weight: lbs	CAGE CODE: 92180		SCALE: 1:1
				REV -
				SHEET 1 OF 1