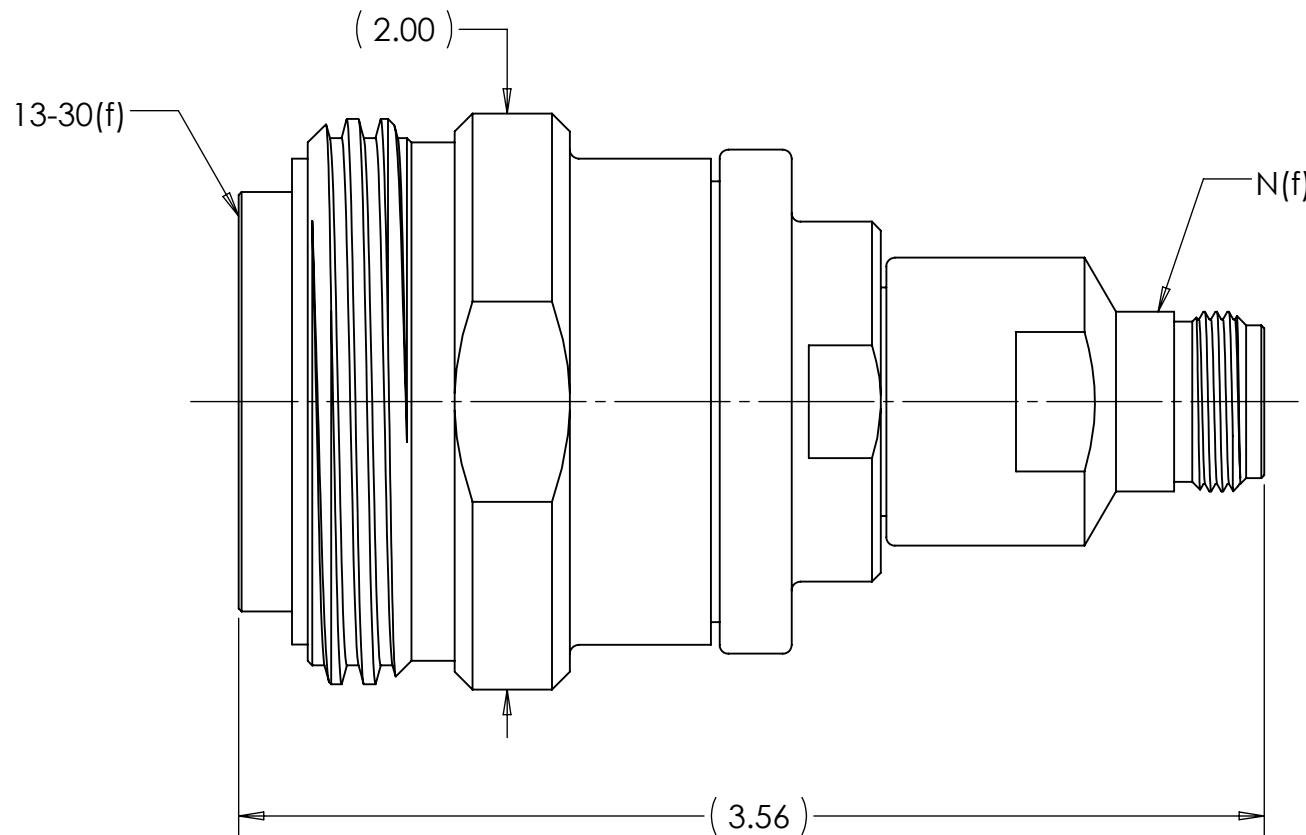
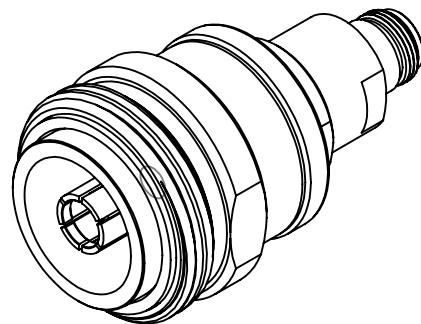


This document, including the design, configuration and mechanical features revealed herein are the sole, confidential and proprietary property of TRU Corporation. Reproduction or use thereof, in whole or part, is prohibited without the prior written consent of TRU Corporation.

REV.	DESCRIPTION	DATE	APPROVED
-	ORIGINAL ISSUE	03/05/13	AM



**ENGINEERING DATA:**

ELECTRICAL:

IMPEDANCE: 50 OHMS NOMINAL  
 FREQUENCY RANGE: DC to 4GHz

MECHANICAL:

INTERFACE: 13-30 PER IEC 60169-5  
 N(f) PER MIL-STD-348 FIG. 304-2

MATERIAL:

CENTER CONTACTS: BRASS & BERYLLIUM COPPER  
 INSULATORS: PTFE  
 BODIES: BRASS  
 GASKET: SILICONE RUBBER

FINISH:

CENTER CONTACTS: SILVER PLATED  
 BODIES: NICKEL PLATED

NOTES:

- UNLESS OTHERWISE SPECIFIED; ALL DIMENSIONS ARE FOR REFERENCE ONLY.

MATERIAL	DO NOT SCALE DRAWING	DRAWN AM	DATE 02/28/13
COMMENTS:	UNLESS OTHERWISE SPECIFIED: DIMENSIONS ARE IN INCHES	ENG APPR. AM	DATE 03/01/13
		MFG APPR.	DATE
		OTHER APPR.	DATE
surface area: sq inch	weight: 1.14 lbs	THIRD ANGLE PROJECTION	

TOLERANCES: FRACTIONS: ±1/64 .XX : ±.01 .XXX: ±.005 ANGLES: ±1/2° MACHINED SURFACES: 63/√	TRU Corporation 245 Lynnfield St, Peabody, MA 01960
	TITLE: CONNECTOR, COAXIAL 13-30(f) to N(f) ADAPTER
	SIZE <b>B</b>



DWG. NO. TRU-12248		REV -
CAGE CODE: 92180	SCALE: 3:2	SHEET 1 OF 1