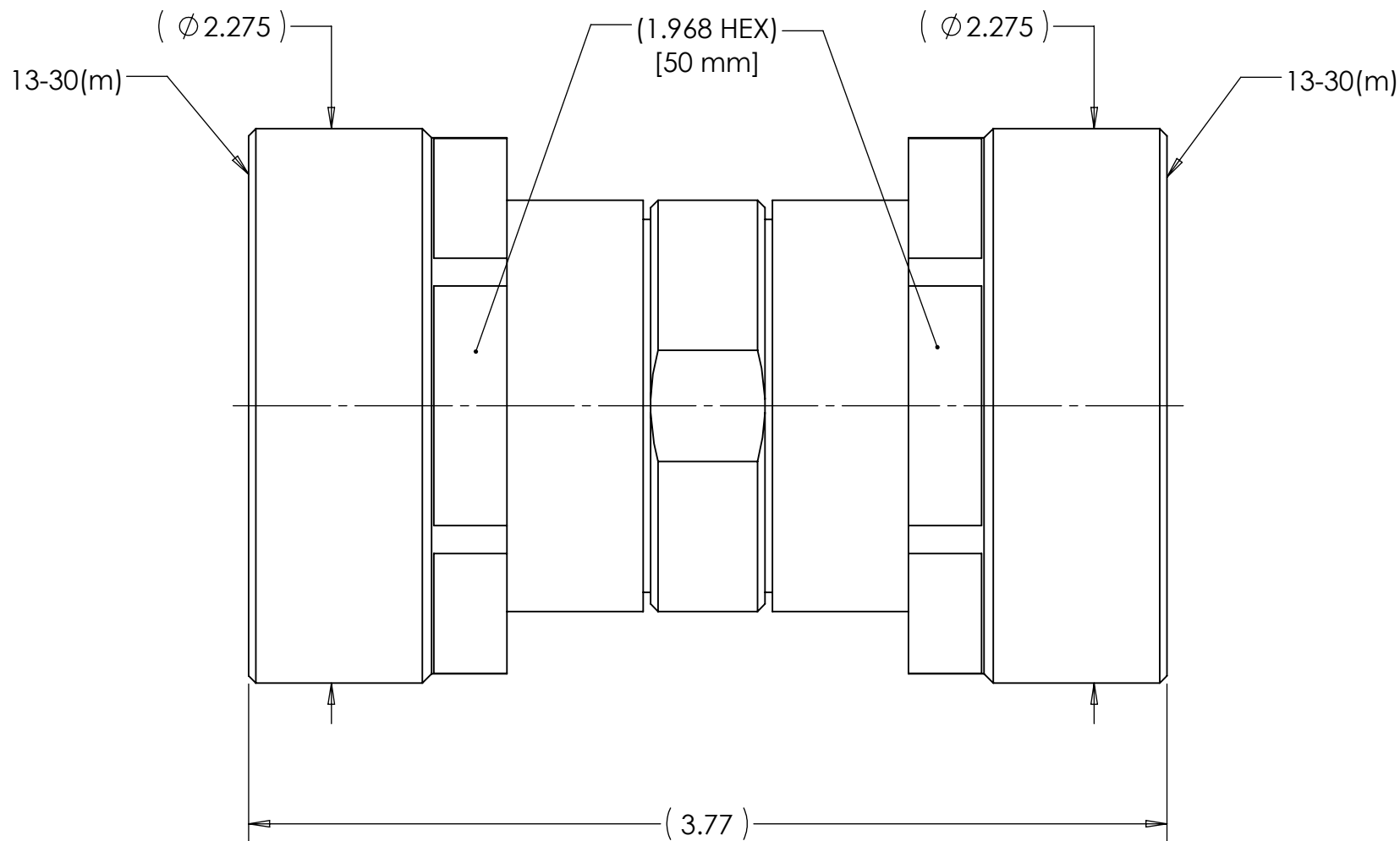
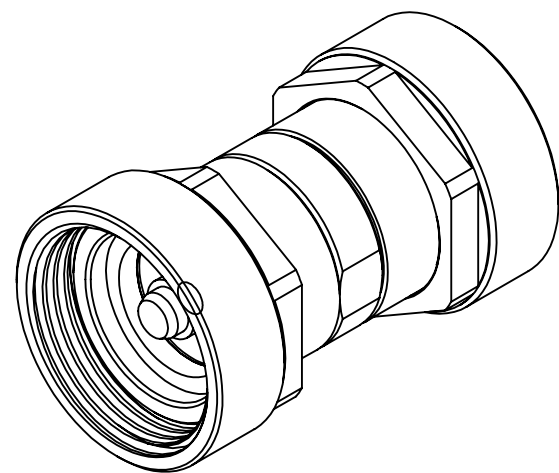


This document, including the design, configuration and mechanical features revealed herein are the sole, confidential and proprietary property of TRU Corporation. Reproduction or use thereof, in whole or part, is prohibited without the prior written consent of TRU Corporation.

REV.	DESCRIPTION	DATE	APPROVED
-	ORIGINAL ISSUE	12/28/11	AM



ENGINEERING DATA:

ELECTRICAL:

IMPEDANCE: 50 OHMS NOMINAL
 FREQUENCY RANGE: DC to 4GHz

MECHANICAL:

INTERFACE: 13-30 PER IEC 60169-5

MATERIAL:


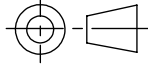
CENTER CONTACTS: BRASS
 INSULATORS: PTFE
 BODIES & COUPLING NUT: BRASS

FINISH:

CENTER CONTACTS: SILVER PLATED
 BODIES & COUPLING NUT: NICKEL PLATED

NOTES:

- UNLESS OTHERWISE SPECIFIED; ALL DIMENSIONS ARE FOR REFERENCE ONLY.

MATERIAL	DO NOT SCALE DRAWING	DRAWN AM	DATE 12/22/11	 TRU Corporation 245 Lynnfield St, Peabody, MA 01960 <i>EXPERIENCE. TRU INNOVATION.</i>
	UNLESS OTHERWISE SPECIFIED: DIMENSIONS ARE IN INCHES	ENG APPR. AM	DATE 12/22/11	
COMMENTS:	TOLERANCES: FRACTIONS: ±1/64 .XX : ±.01 .XXX: ±.005 ANGLES: ±1/2° MACHINED SURFACES: 63/√	MFG APPR.	DATE	TITLE: CONNECTOR, COAXIAL 13-30(m) to 13-30(m) ADAPTER
		OTHER APPR.	DATE	
surface area: sq inch	weight: 1.86 lbs	THIRD ANGLE PROJECTION		SIZE B DWG. NO. TRU-11881 REV -
				CAGE CODE: 92180 SCALE: 3:2 SHEET 1 OF 1