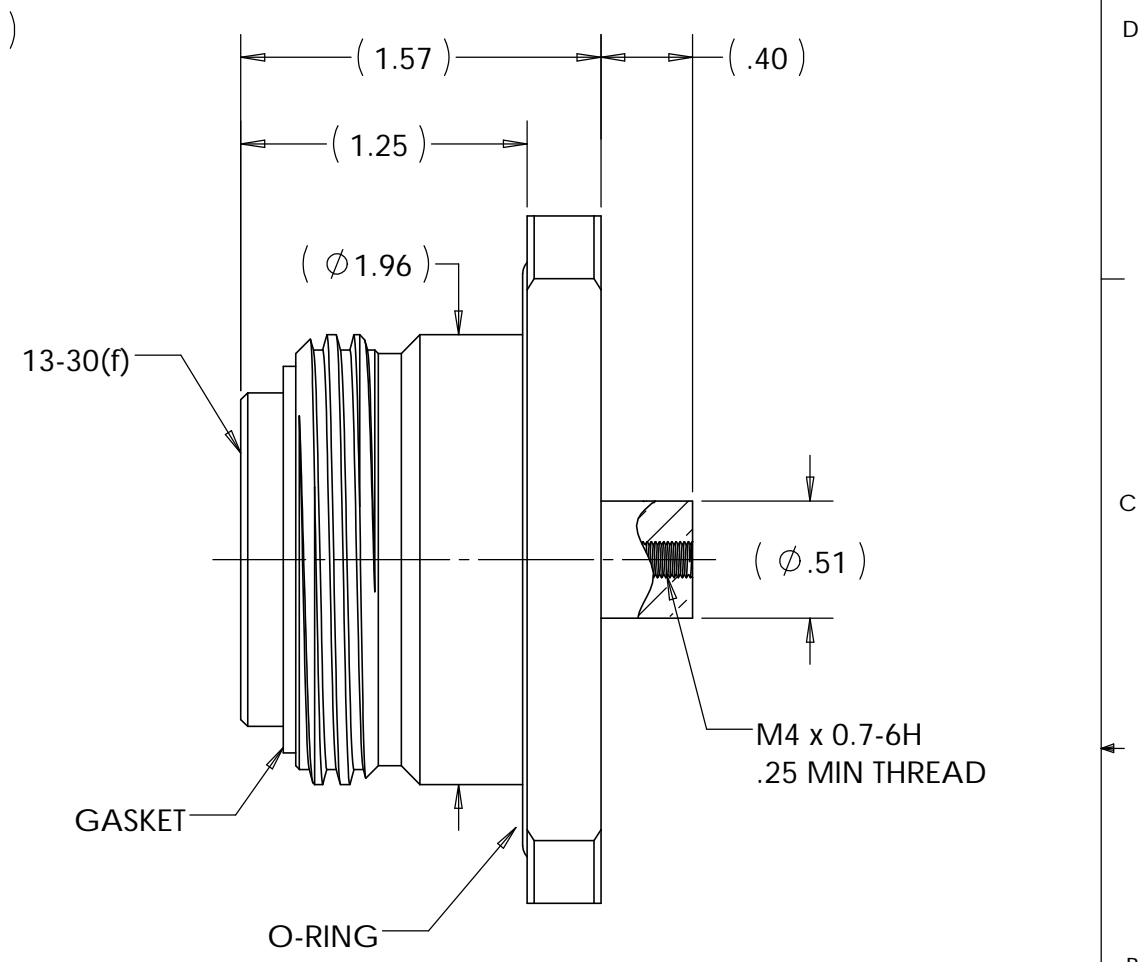
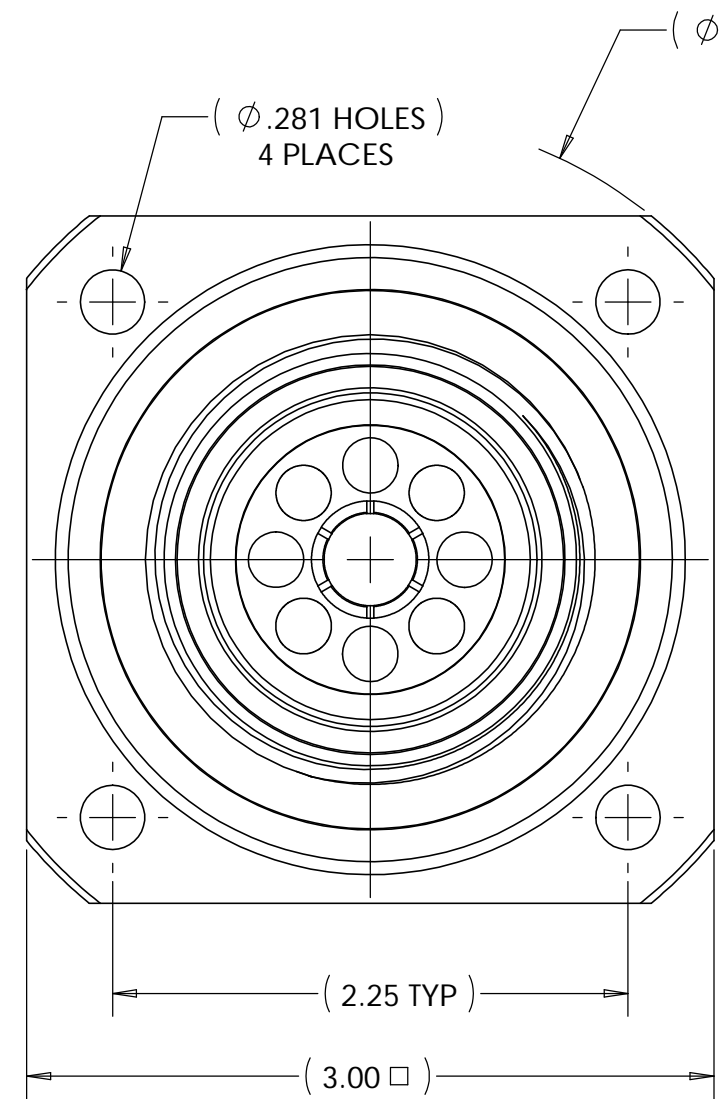
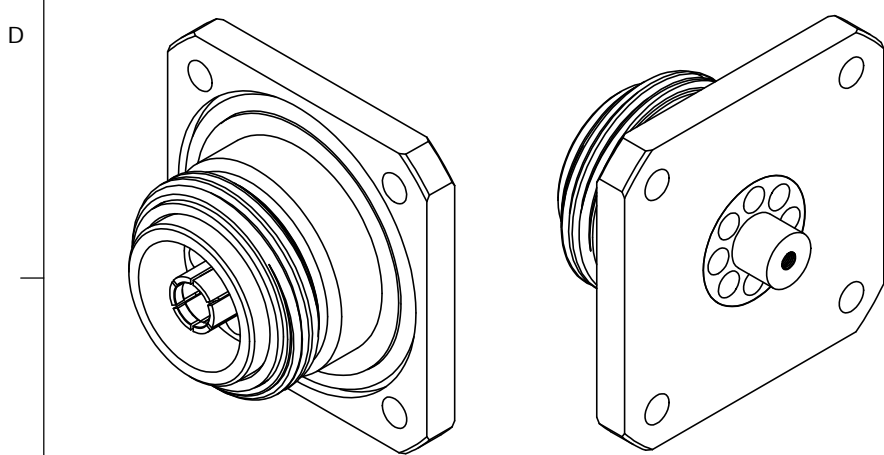


This document, including the design, configuration and mechanical features revealed herein are the sole, confidential and proprietary property of TRU Corporation. Reproduction or use thereof, in whole or part, is prohibited without the prior written consent of TRU Corporation.

REV.	DESCRIPTION	DATE	APPROVED
-	ORIGINAL ISSUE	03/04/10	AM



**ENGINEERING DATA:**

ELECTRICAL:

IMPEDANCE: 50 OHMS NOMINAL

INTERFACE:

13-30(f): PER IEC 60169-5

MATERIAL:

BODY: BRASS

CENTER CONTACTS: BRASS & BERYLLIUM COPPER

O-RING & GASKET: SILICONE RUBBER

INSULATORS: TEFLON

FINISH:

BODY: NICKEL PLATED

CENTER CONTACTS: SILVER PLATED

**NOTES:**

1. UNLESS OTHERWISE SPECIFIED; ALL DIMENSIONS ARE REFERENCE ONLY.

MATERIAL	DO NOT SCALE DRAWING	DRAWN MVC	DATE 02/23/10	<b>TRU CORPORATION</b> 245 LYNNFIELD STREET, PEABODY, MA 01960 The Custom Interconnect Leader™		
	UNLESS OTHERWISE SPECIFIED: DIMENSIONS ARE IN INCHES	ENG APPR. AM	DATE 03/02/10			
		MFG APPR.	DATE			
		OTHER APPR.	DATE			
COMMENTS:	TOLERANCES: FRACTIONS: $\pm 1/64$ .XX : $\pm .01$ .XXX: $\pm .005$ ANGLES: $\pm 1/2^\circ$ MACHINED SURFACES: $63/\sqrt{\quad}$	THIRD ANGLE PROJECTION		TITLE: CONNECTOR, COAXIAL, RF 13-30(f) RECEPTACLE, PANEL		
surface area: sq inch		weight: lbs	SIZE <b>B</b>	DWG. NO. TRU-11468	REV -	
				CAGE CODE: 92180	SCALE: 1.25:1	SHEET 1 OF 1