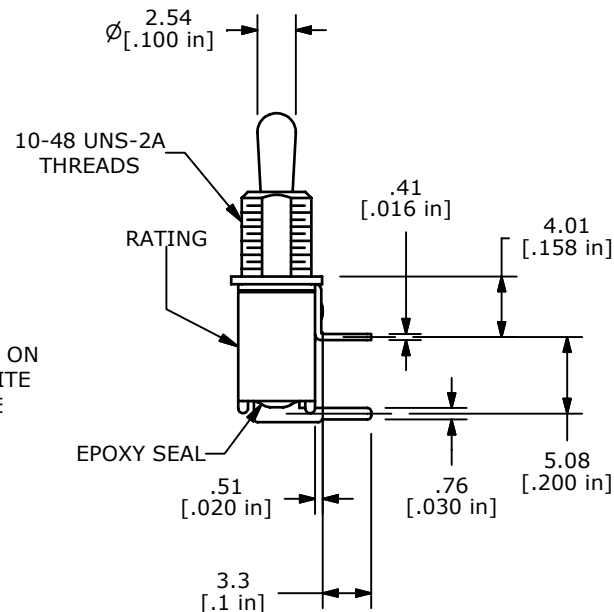
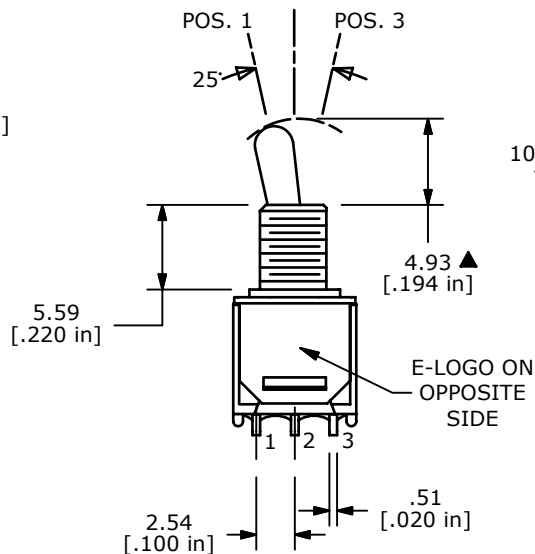
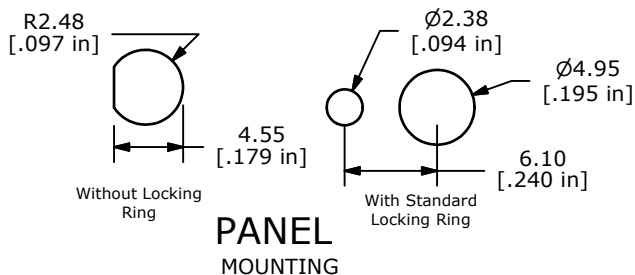
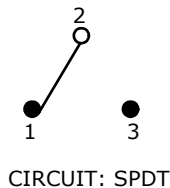


ISOMETRIC

SWITCH FUNCTION		
POS. 1	POS. 2	POS. 3
ON	NONE	ON
2-3	OPEN	2-1



- NOTE:
1. ALL DIMENSIONS IN MM [INCH]
 2. GENERAL TOLERANCE: X.X=±0.4
X.XX=±0.25
 3. TERMINAL NUMBERS FOR REF ONLY
 - ▲ 4. PLATING MATERIAL: GOLD
 5. RATING: 0.4VA MAX. @20V MAX (AC OR DC)
 6. CONTACT RESISTANCE: 20 mΩ MAX.
 7. ELECTRIC LIFE: 30,000 MAKE-AND-BREAK CYCLES AT FULL LOAD.
 8. INSULATION RESISTANCE: 1,000 MΩ MIN.
 9. DIELECTRIC STRENGTH: 1,000 V RMS @SEA LEVEL.
 10. OPERATING TEMP.: -30°C to 85°C
 11. 2002/95/EC (ROHS) COMPLIANT
 12. ▲ DENOTES CRITICAL PARAMETER.
 13. HARDWARE TO BE SHIPPED BULK"
T100000 - HEXNUT QTY 2
T100011 - LOCKWASHER QTY 1
T100015 - LOCKRING QTY 1



TITLE 200MSP1T2B1M6REH

A	17969	RELEASED FOR PRODUCTION	2/14/08	BLR
REV	PCR NO	DESCRIPTION	DATE	BY

SCALE	DATE	DR	DWG	REV
2:1	2/14/2008	BLR	ST211109	A

THE INFORMATION CONTAINED IN THIS DOCUMENT IS PROPRIETARY TO E-SWITCH AND IS NOT TO BE COPIED OR TRANSFERRED