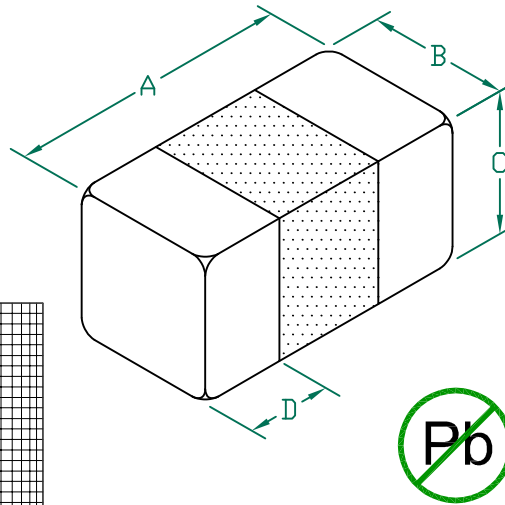


HZ0402A152R-10

UNCONTROLLED DOCUMENT

PHYSICAL DIMENSIONS:

A	1.00 [.040]	+ .15 [.006]	- .15 [.006]
B	0.50 [.020]	+ .15 [.006]	- .15 [.006]
C	0.50 [.020]	+ .15 [.006]	- .15 [.006]
D	0.30 [.012]	MAX.	



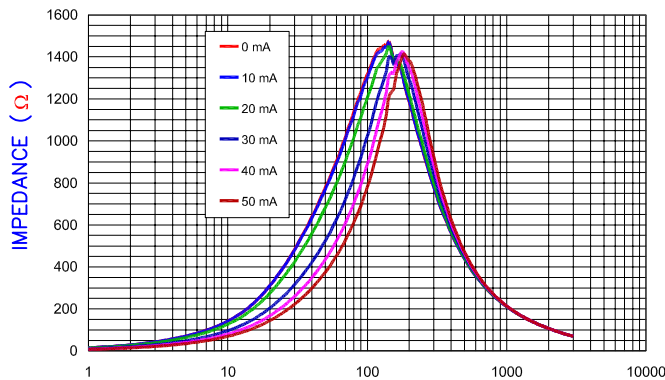
ELECTRICAL CHARACTERISTICS:

Z @ 100MHz (Ω)	DCR (Ω)	Rated Current
Nominal	1500	
Minimum	1125	
Maximum	1875	50 mA

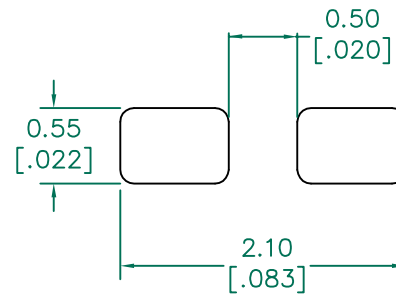
NOTES: UNLESS OTHERWISE SPECIFIED

1. TAPED AND REELED per CURRENT EIA SPECIFICATIONS 7" REELS, 10,000 PCS/REEL, PAPER TAPE.
2. TERMINATION FINISH IS 100% TIN.
3. COMPONENTS SHOULD BE ADEQUATELY PREHEATED BEFORE SOLDERING.
5. OPERATEING TEMPERATURE TEMP: -40°C~+125°C (INCLUDING SELF-HEATING)

Z vs FREQUENCY
IMPEDANCE UNDER DC BIAS

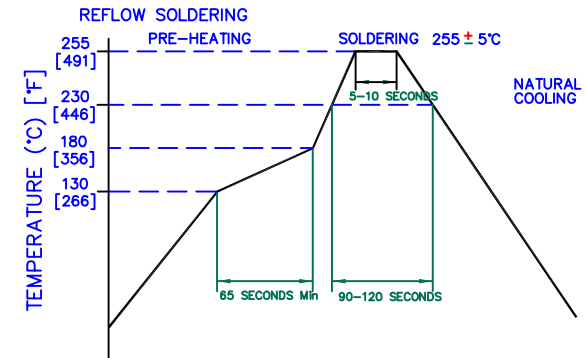


LAND PATTERNS FOR REFLOW SOLDERING

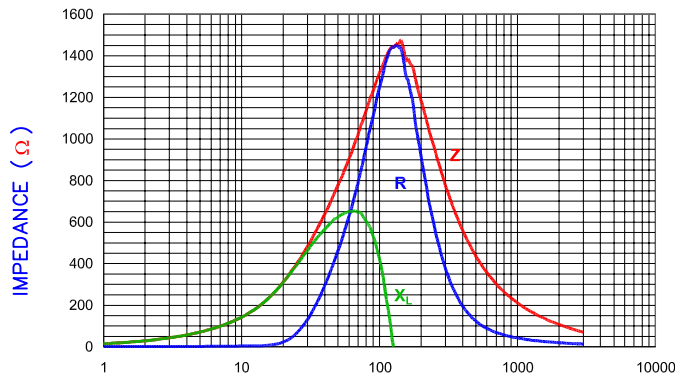


(For wave soldering, add 0.763 (.030 to this dimension.)

RECOMMENDED SOLDERING CONDITIONS



FREQUENCY (MHz)
|Z|, R, AND X vs. FREQUENCY



FREQUENCY (MHz)



DIMENSIONS ARE IN mm [INCHES].				This print is the property of Laird Tech. and is loaned in confidence subject to return upon request and with the understanding that no copies shall be made without the written consent of Laird Tech. All rights to design or invention are reserved.			
PROJECT/PART NUMBER:				Laird			
C ADD OPERATING TEMPERATURE UPDATE LAIRD LOGO AND REFLOW CURVE 08/05/13 QU				HZ0402A152R-10			
B UPDATE COMPANY LOGO 02/15/08 JRK				DATE: 07/24/07			
A ORIGINAL DRAFT 07/24/07 JRK				SCALE: NTS			
REV DESCRIPTION DATE INT				GAD # HZ0402A152R-10-C			
				PART TYPE: CO-FIRE		DRAWN BY: JRK	
				TOOL # -		SHEET: 2 of 2	