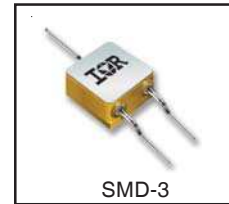


**Three Terminal, Adjustable
 Negative Voltage Regulator**

**OM1325SM
 1.5A**

Product Summary:

Part Number	Standard Military Drawing Number	V_{IN}	Adjustable V_{OUT}	Package
OM1325SM	7703406M	-4.25V to -41.25V	-1.2V to -37V	SMD-3



These three terminal negative voltage regulators are supplied in hermetically sealed packages. All protective features are designed into the circuit, including thermal shutdown, current-limiting, and safe-area control. With heat sinking, these devices can deliver up to 1.5 amps of output current. The unit also features output voltages that can be fixed from -1.2 volts to -37 volts using external resistors.

Features:

- Similar to Industry Standard LM137A
- Approved to DSCC Standardized Military Drawing Number 7703406
- Built-in Thermal Overload Protection
- Short Circuit Current Limiting
- Maximum Output Voltage Tolerance is Guaranteed $\pm 1\%$
- This part is also available in
 TO-257AA Package as OM1325ST (Isolated),
 TO-257AA Package as OM1325NT (Non-Isolated),
 SMD-1 Package as OM1325NM,
 TO-204 Package as OM1325NK

Absolute Maximum Ratings @ TC = 25°C

Parameter	Symbol	Value	Units
Recommended Output Voltage Range	V_{OUT}	-1.2 to -37	V _{DC}
Recommended Input Voltage Range	V_{IN}	-4.25 to -41.25	
Output Current	I_{OUT}	1.5	A
Power Dissipation	P_D	20	W
Input - Output Voltage Differential	V_{DIFF}	40	V
Thermal Resistance, Junction to Case	R_{THJC}	3.5	°C/W
Operating Temperature Range	T_J	-55 to +150	°C
Storage Temperature Range	T_S	-65 to +150	
Lead Temperature (Soldering 10 seconds)	T_L	300	

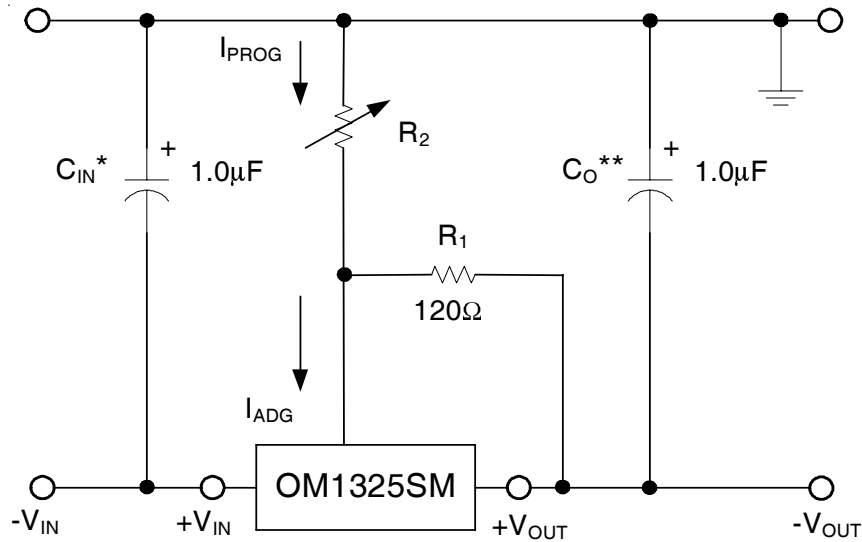
Electrical Characteristics: $-55^{\circ}\text{C} \leq T_A \leq 125^{\circ}\text{C}$, $I_L = 8.0\text{mA}$ (Unless Otherwise Specified)

Parameter	Test Conditions	Symbol	Min.	Max.	Units
Reference Voltage	$V_{\text{DIFF}} = 3.0\text{V}$, $T_A = 25^{\circ}\text{C}$	V_{REF}	-1.262	-1.238	V
	$V_{\text{DIFF}} = 3.0\text{V}$ ③		-1.280	-1.220	
	$V_{\text{DIFF}} = 40\text{V}$ ③		-1.280	-1.220	
Line Regulation ①	$3.0\text{V} \leq V_{\text{DIFF}} \leq 40\text{V}$, $T_A = 25^{\circ}\text{C}$	R_{LINE}	-4.5	4.5	mV
	$3.0\text{V} \leq V_{\text{DIFF}} \leq 40\text{V}$ ③		-13.8	13.8	
Load Regulation ①	$8.0\text{mA} \leq I_L \leq 1.5\text{A}$, $V_{\text{DIFF}} = 5.0\text{V}$ ③	R_{LOAD}	-25	25	
	$8.0\text{mA} \leq I_L \leq 1.5\text{A}$, $V_{\text{DIFF}} = 12\text{V}$, $T_A = 25^{\circ}\text{C}$		-25	25	
	$8.0\text{mA} \leq I_L \leq 200\text{mA}$, $V_{\text{DIFF}} = 40\text{V}$, $T_A = 25^{\circ}\text{C}$		-25	25	
	$8.0\text{mA} \leq I_L \leq 100\text{mA}$, $V_{\text{DIFF}} = 40\text{V}$ ③		-50	50	
Thermal Regulation	$V_{\text{IN}} = -14.6\text{V}$, $I_L = 1.5\text{A}$ $P_D = 20\text{W}$, $t = 10\text{ms}$, $T_A = 25^{\circ}\text{C}$	V_{RTH}	-5.0	5.0	
Ripple Rejection ②	$f = 120\text{Hz}$, $V_{\text{OUT}} = V_{\text{REF}}$ ③ $C_{\text{ADJ}} = 10\mu\text{F}$	R_N	66	-	dB
Adjustment Pin Current	$V_{\text{DIFF}} = 3.0\text{V}$ ③	I_{ADJ}	-	100	μA
	$V_{\text{DIFF}} = 40\text{V}$ ③		-	100	
Adjustment Pin Current Change	$3.0\text{V} \leq V_{\text{DIFF}} \leq 40\text{V}$ ③	$I_{\text{ADJ (line)}}$	-5.0	5.0	μA
	$8.0\text{mA} \leq I_L \leq 1.5\text{A}$, $V_{\text{DIFF}} = 5.0\text{V}$ ③	$I_{\text{ADJ (load)}}$	-5.0	5.0	
Minimum Load Current	$V_{\text{DIFF}} = 3.0\text{V}$, $V_{\text{OUT}} = -1.4\text{V (forced)}$ ③	I_{Lmin}	-	3.0	mA
	$V_{\text{DIFF}} = 10\text{V}$, $V_{\text{OUT}} = -1.4\text{V (forced)}$ ③		-	3.0	
	$V_{\text{DIFF}} = 40\text{V}$, $V_{\text{OUT}} = -1.4\text{V (forced)}$ ③		-	5.0	
Current Limit ②	$V_{\text{DIFF}} = 5.0\text{V}$ ③	I_{CL}	1.5	3.5	A
	$V_{\text{DIFF}} = 40\text{V}$, $T_A = 25^{\circ}\text{C}$		0.24	1.2	

NOTES:

- ① Load and Line Regulation are specified at a constant junction temperature. Pulse testing with low duty cycle is used. Changes in output voltage due to heating effects must be taken into account separately.
- ② If not tested, shall be guaranteed to the specified limits.
- ③ Denotes the specifications which apply over the full operating temperature range.

Standard Application

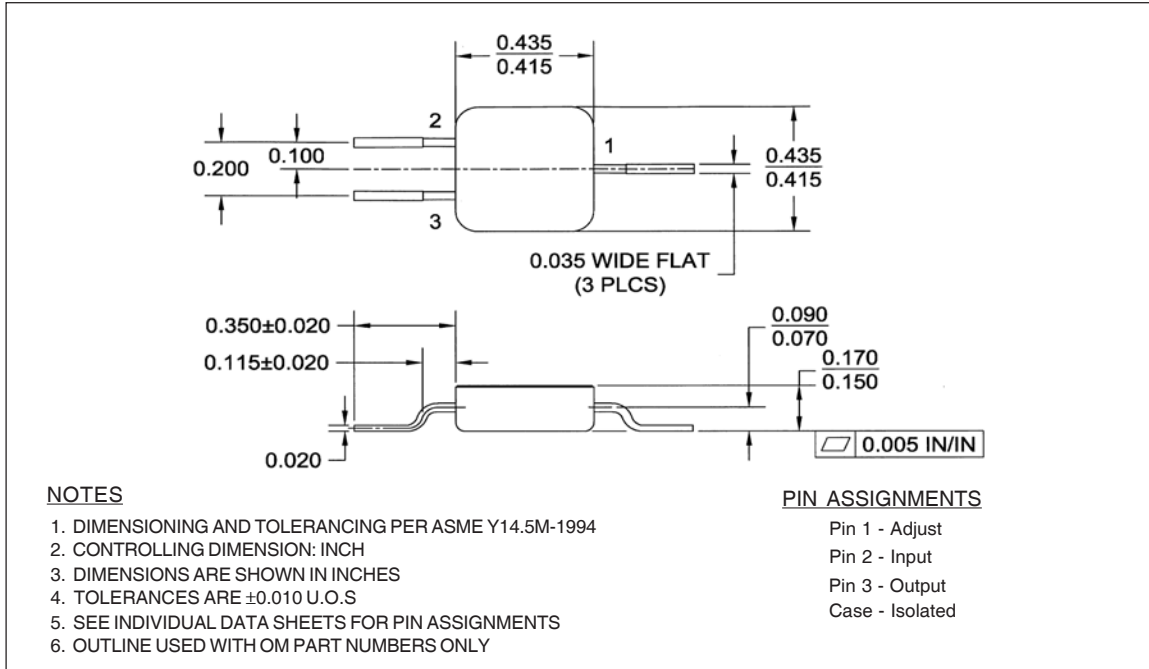


* C_{in} is required if regulator is located more than 4 inches from power supply filter. A $1.0\mu F$ solid tantalum or $10\mu F$ aluminum electrolytic is recommended.

** C_o is necessary for stability. A $1.0\mu F$ solid tantalum or $10\mu F$ aluminum electrolytic is recommended.

$$V_{OUT} = -1.25V (1 + R2/R1)$$

Case Outline and Dimensions - SMD-3



Part Numbering Nomenclature

