

PIN No	NAME	DESCRIPTION
1	CD/DAT3	CARD DETECTION
2	CMD	COMMAND/ANSWER
3	Vss1	GND
4	Vdd	POWER SUPPLY
5	CLK	CLOCK
6	Vss2	GND
7	DAT0	Connector data line 0
8	DAT1	Connector data line 1
9	DAT2	Connector data line 2

TECHNICAL CHARACTERISTICS

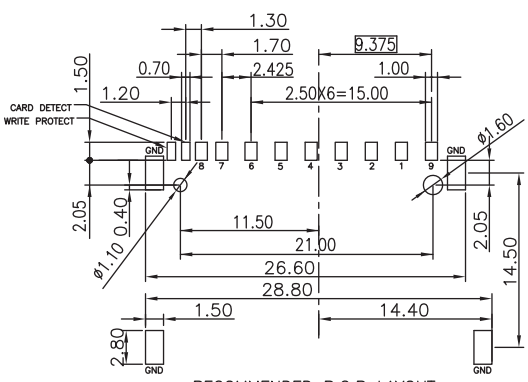
MATERIAL
 INSULATOR: PA 9T
 FLAMABILITY RATING: UL94-V0
 COLOR: BLACK
 CONTACT MATERIAL: COPPER ALLOY
 CONTACT TYPE: STAMPED
 CONTACT PLATING: SELECTIVE GOLD
 SHIELDING: COPPER ALLOY
 SHIELDING PLATING: NICKEL
 QUALITY CLASS: 10000 MATING CYCLES

ENVIRONMENTAL
 OPERATING TEMPERATURE: -25 UP TO 85°C
 COMPLIANCE: LEAD FREE AND ROHS

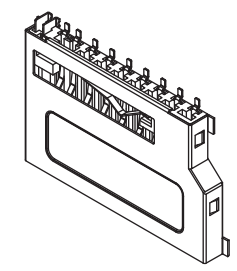
ELECTRICAL
 CURRENT RATING: 0.5 A
 WORKING VOLTAGE: 100 VAC
 INSULATOR RESISTANCE: >1000 MΩ
 WITHSTANDING VOLTAGE: 500 VAC/MIN
 CONTACT RESISTANCE: 100 mΩ MAX

SOLDERING
 JEDEC LEAD FREE REFLOW SOLDERING PROCESS

PACKAGING
 TAPE & REEL



RECOMMENDED P.C.B LAYOUT
 TOLERANCES: ±0.05mm



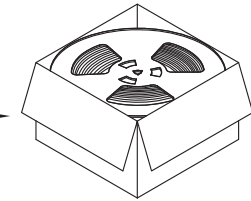
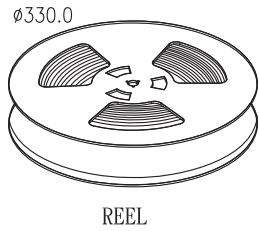
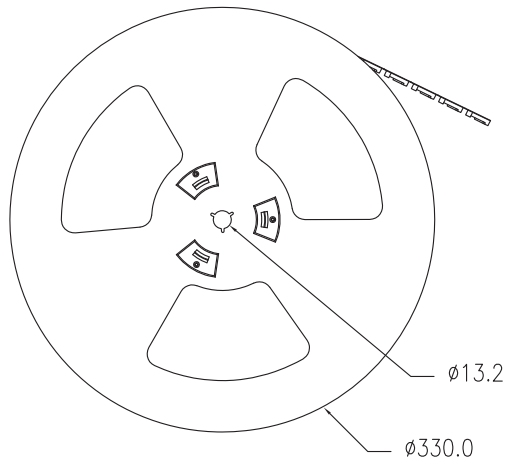
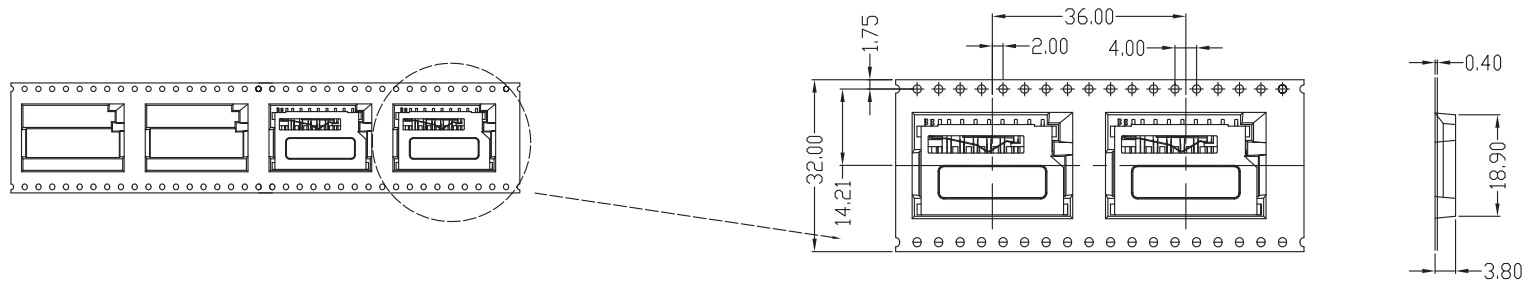
RoHS Compliant			
F	10-SEP-13	DIM UPDATE	QL
E	27-MAR-12	PINNING	QL
D	07-MAR-12	PAGE 2 SWITCH	GG
C	22-FEB-12	PAGE 2	GG
B	16-FEB-12	TKP	GG
A	11-AUG-31	PDF	GG
REV	DATE	FILE	BY

PROJECTION:	
APPROVAL: RJ	

GENERAL TOLERANCE
.X = +/- 0.2
.XX = +/- 0.15
UNIT: MM
SCALE:
SHEET: 1/3
DRAW:

DESCRIPTION: SD Card Connector - Push & Pull - Short Type With Card Detection - 9 pins
WERI PART NO: 693 063 020 911

SIZE	D
A4	



300 Pcs/Reel
6 Reels/Carton
1800 Pcs/Carton

RoHS Compliant			
G			
F			
E			
D			
C			
B			
A	22-AUG-14	PDF	AS
REV	DATE	FILE	BY

PROJECTION:	
APPROVAL: RJ	

GENERAL TOLERANCE
.X = ± 0.2
.XX = ± 0.15
UNIT: MM
SCALE:
SHEET: 3/3
DRAW: AS

DESCRIPTION: SD Card Connector - Push & Pull - Short Type With Card Detection - 9 pins	
WERI PART NO: 615 016 137 621	

SIZE
A4

A
B
C
D