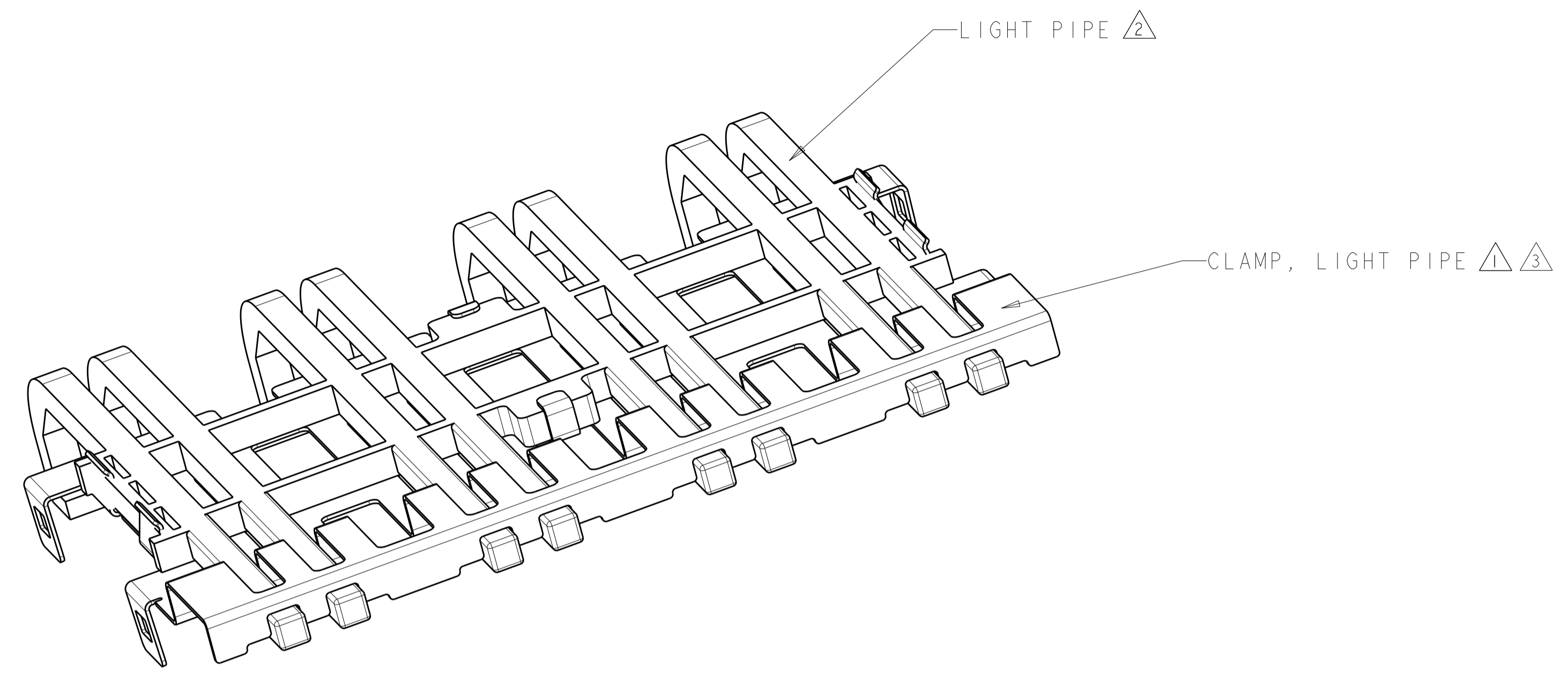
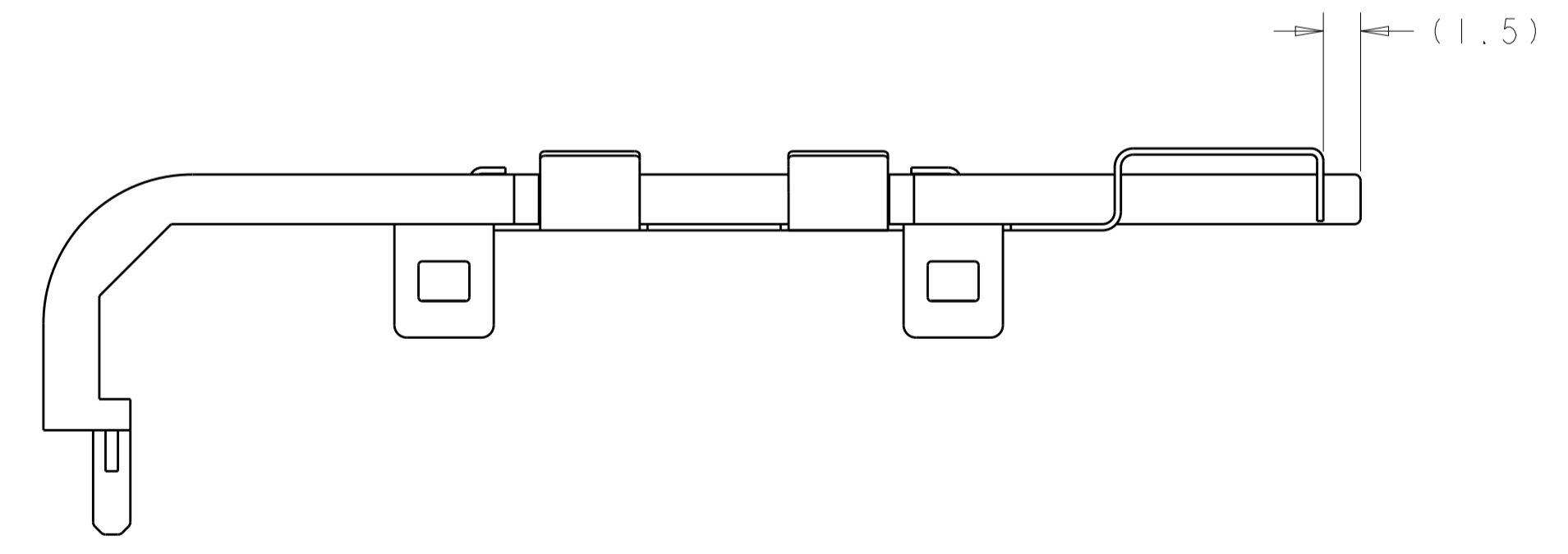
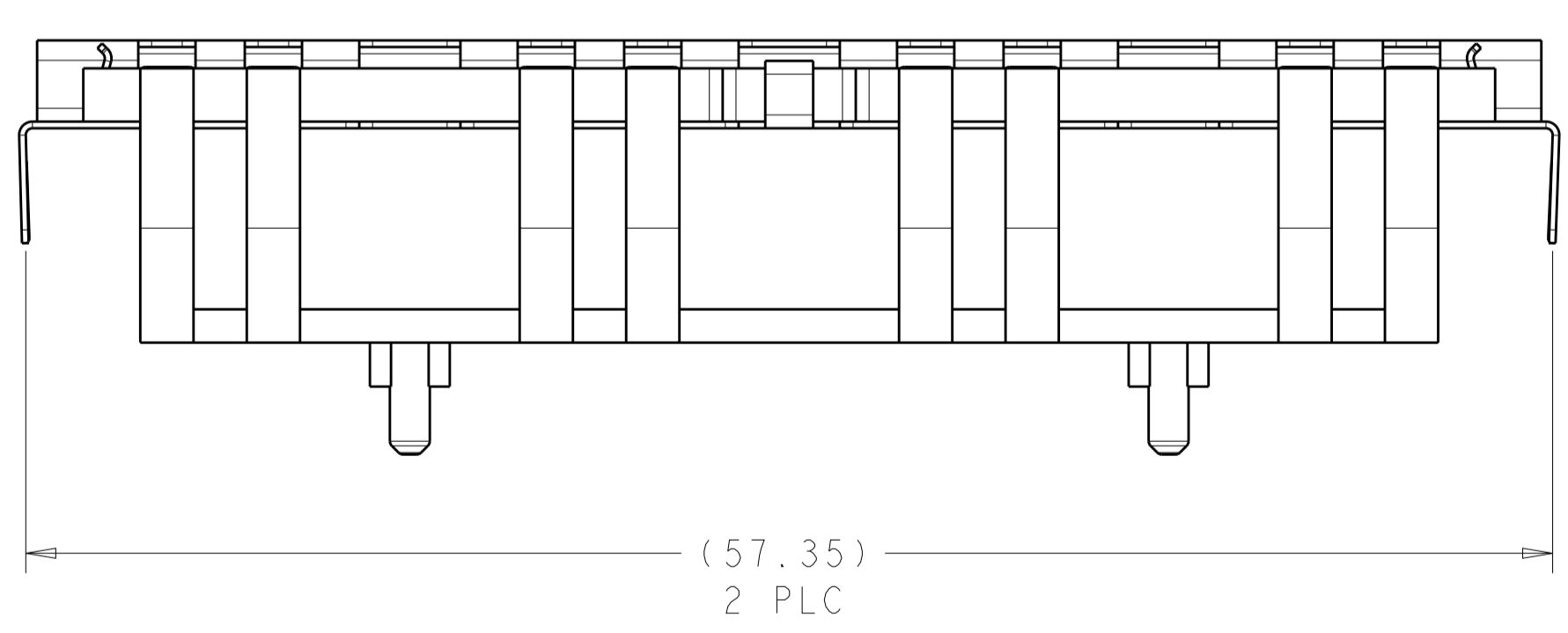


LOC	DIST	REVISIONS			
P	LTN	DESCRIPTION	DATE	DWN	APVD
A		RELEASED PER EC OS13-0325-04	08JUL2004	JK	MJP
A1		REVISED PER ECO-07-011809	21MAY107	ZMR	JRK
A2		REVISED PER ECO-14-010419	11JUL2014	JW	SH
B		REVISED PER ECO-15-013594	25SEP2015	JW	SH



- △ COPPER ALLOY, TIN PLATED PER ASTM B 545, 1.25 μm MINIMUM THICKNESS, OVER NICKEL FLASH PER QQ-N-290. NON PLATED EDGES ARE PERMISSIBLE
- △ POLYCARBONATE, CLEAR.
- △ NICKEL SILVER ALLOY(NO PLATING)



SUPERSEDED BY:
1761012-3

△	1X4 LIGHT PIPE KIT	1761012-3
△	1X4 LIGHT PIPE KIT	1761012-1
CLAMP MATERIAL	DESCRIPTION	PART NO

THIS DRAWING IS A CONTROLLED DOCUMENT.		DWN W. VAN SCYOC 09MAR2004	
DIMENSIONS: mm		CHK M. J. PHILLIPS 09MAR2004	
TOLERANCES UNLESS OTHERWISE SPECIFIED:		APVD M. J. PHILLIPS 09MAR2004	NAME ASSEMBLY, LIGHT PIPE KIT 1X4, SFP
0 PLC ±	1 PLC ±0.10	PRODUCT SPEC	SIZE A1
2 PLC ±	3 PLC ±	APPLICATION SPEC	CAGE CODE C=1761012
4 PLC ±	ANGLES ±2°	RESTRICTED TO	SCALE 4:1
MATERIAL	FINISH	WEIGHT	SHEET 1 OF 1
CUSTOMER DRAWING		REV B	