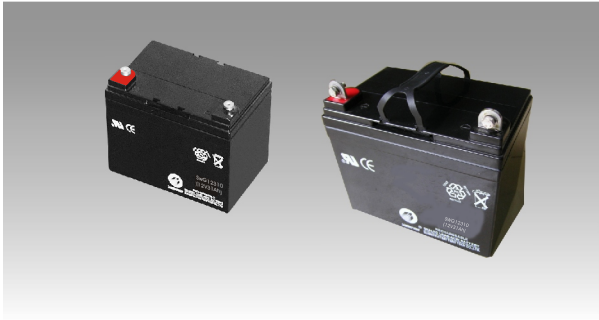
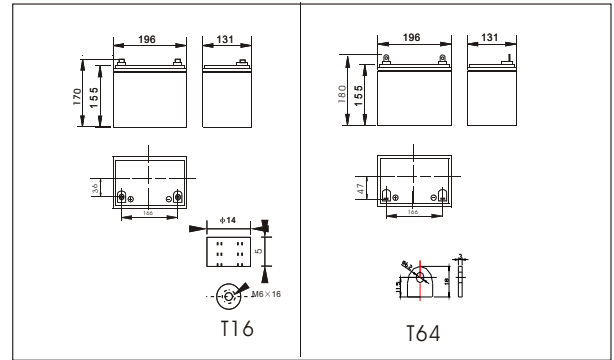




SWG12310(12V31AH)



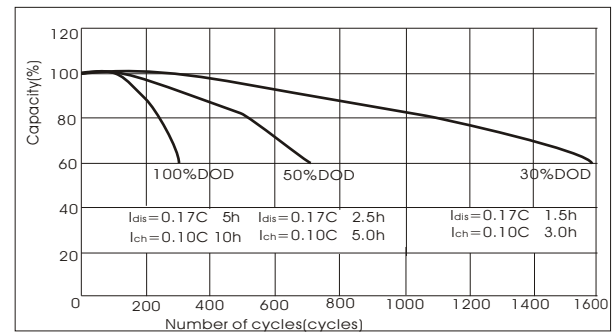
● Outer dimensions (mm)



● Specifications

Nominal Voltage		12V
Rated capacity (20 hour rate)		31 Ah
Dimensions	Total Height	170 mm (6.69 inches)
	Height	155 mm (6.10 inches)
	Length	196 mm (7.70 inches)
	Width	131mm (5.16 inches)
Weight Approx		11Kg (24.31lbs)

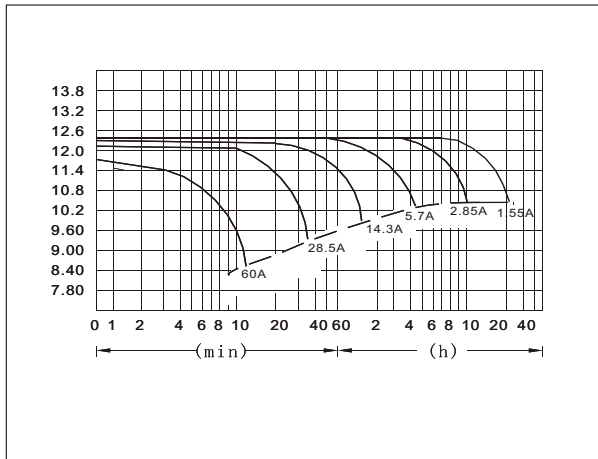
● Curves of cycle life(25°C)



● Characteristics

Capacity 25°C(77°F)	20 hour rate(1.55A) 10 hour rate(2.85A) 5 hour rate(4.56A) 1 hour rate(17.1A)	31.0 AH 28.5 AH 22.8 AH 17.1 AH
Internal Resistance	Full charged Battery at 25°C(77°F)	Approx 14 m Ω
Capacity affected by Temperature (10hour rate)	40°C(104°F) 25°C(77°F) 0°C(32°F) -15°C(5°F)	102% 100% 85% 65%
Self-Discharge at 25°C(77°F)	Capacity after 3 month storage Capacity after 6 month storage Capacity after 12 month storage	91% 82% 64%
Terminal	T64、T16	
Charge (constant Voltage)	Cycle	Initial Charging Current less than 11.4A Voltage 14.10-14.40V
	Float	Voltage 13.50-13.80V

● Discharge Curves 25°C(77°F)



Constant Current(Amp) and Constant Power(Watt) Discharge Table at 25°C(77°F)

Time		5min	10min	15min	30min	1h	2h	3h	4h	5h	8h	10h	20h
9.60V	A	91.6	60.3	48.6	32.6	17.2	10.0	7.4	5.7	4.72	3.35	3.00	1.62
	W	945.4	644.5	521.6	350.6	185.3	109.9	82.2	64.4	53.66	38.35	34.68	18.86
10.20V	A	88.7	54.5	45.8	31.2	16.1	9.6	7.2	5.6	4.63	3.26	2.95	1.57
	W	947.5	608.0	512.7	350.0	182.4	109.4	81.9	64.2	53.46	38.15	34.61	18.48
10.50V	A	85.8	48.7	40.1	29.2	15.6	9.3	7.0	5.5	4.58	3.23	2.89	1.56
	W	937.2	554.1	457.3	335.7	180.8	108.1	80.5	64.0	53.37	38.01	34.18	18.43
10.80V	A	82.7	45.9	37.2	26.9	15.1	9.1	6.8	5.4	4.46	3.15	2.86	1.54
	W	928.0	529.4	429.0	311.5	175.8	106.5	80.3	63.8	52.74	37.28	33.99	18.39
11.10V	A	79.9	43.0	34.4	24.0	14.6	8.9	6.6	5.3	4.35	3.06	2.72	1.46
	W	906.5	498.1	400.2	281.1	171.5	104.8	78.1	62.7	51.88	36.65	32.80	17.68