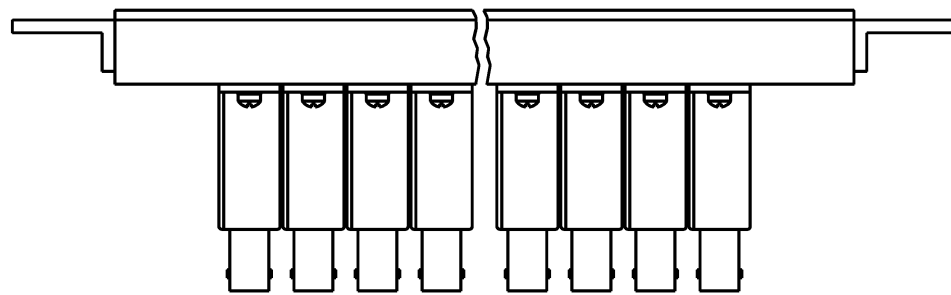
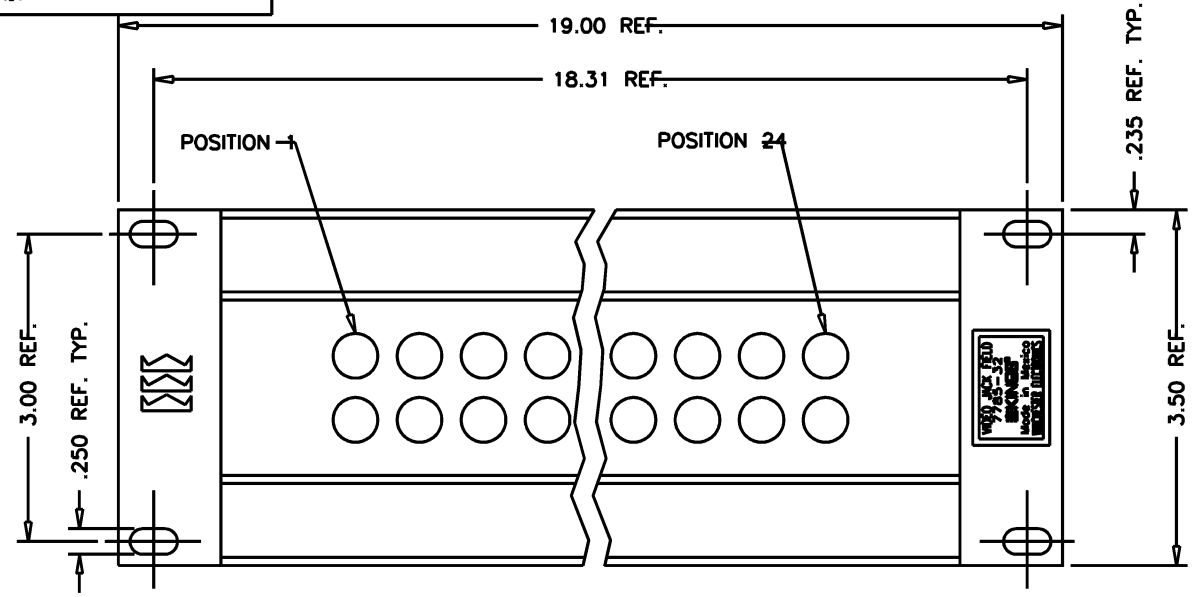
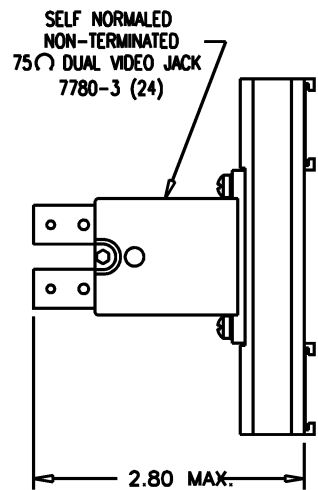


| | | |
|----------|--------|-----------|
| DASH NO. | M CODE | MADE FROM |
|----------|--------|-----------|



NOTES:

- PANEL-
MATERIALS-
VIDEO PANEL: PHENOLIC, TYPE BIE
SCREWS: STAINLESS STEEL
ALL OTHER METAL PARTS: COLD ROLLED STEEL
FINISHES-
SCREWS: PASSIVATE PER QQ-P-35
MODULAR PANEL ASSY: BLACK PAINT
 - DUAL VIDEO JACK (7780-3)-
INSULATING MATERIALS: ZYTEL & DELRIN, ASTM-D-4894
SCREWS: ST. ST., QQ-S-763
CONTACTS: BER. COP., ASTM-B-196
ALL OTHER PARTS: ZINC ALLOY, ZAMACK 3
FINISHES-
CONTACTS: HARD GOLD PLATE PER MIL-G-45204 OVER
NICKEL PLATE PER QQ-N-290.
SCREWS: PASSIVATE PER QQ-P-35
ALL OTHER METAL PARTS: KINGS TARNISH RESISTANT
FINISH (TR-5)
- ELECTRICAL CHARACTERISTICS:
NOMINAL IMPEDANCE: 75 OHMS
VOLTAGE RATING: 350 VRMS
FREQUENCY RANGE: DC TO 3.3 GHz

UNLESS OTHERWISE SPECIFIED

- ALL DIMENSIONS IN INCHES (MILLIMETERS).
- TOLERANCES:
.xxx ±.004 .xx ±.010
[.xxx ±.10] [.xx ±.25]
FRACTIONS: x/y ±.010 [.25] ANGLES: ± 1'

★ CRITICAL DIMENSIONS

SD7785-32

| REVISIONS | |
|-----------|---------------------------|
| ISSUE | CHANGES |
| 0 | ER 38921 JLA 09/08/03 |
| 1 | CN 39404 D AM 02/13/06 |
| C | ER6245 BAM 01/28/08 |

CUSTOMER
SALES DRAW

| | | | |
|---------------------|-------|------|----------|
| SCALE | 3/4:1 | | |
| APPROX SURFACE AREA | | | |
| USED ON | | | |
| REF: | | | |
| JACKFIELD, VIDEO | | | |
| DRAWN | JLA | DWG | 09/08/03 |
| DESIGN | JLA | DATE | 09/08/03 |
| APPR. | | DATE | |

SD7785-32