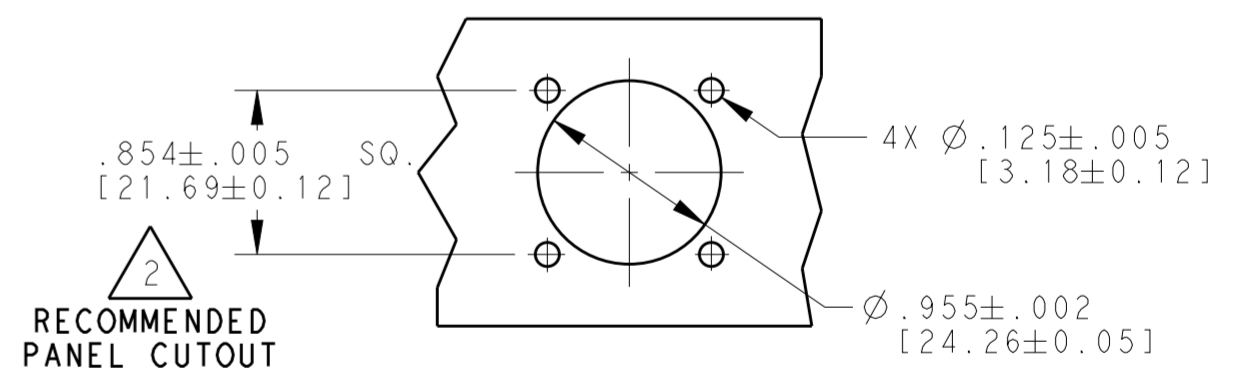
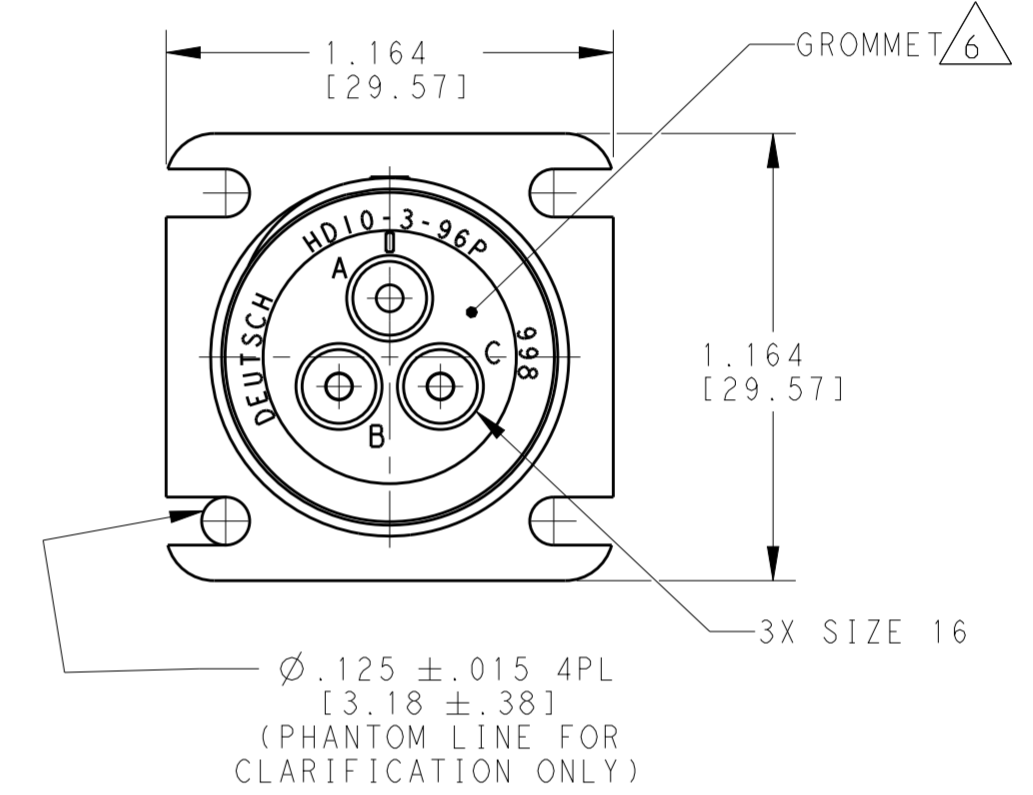
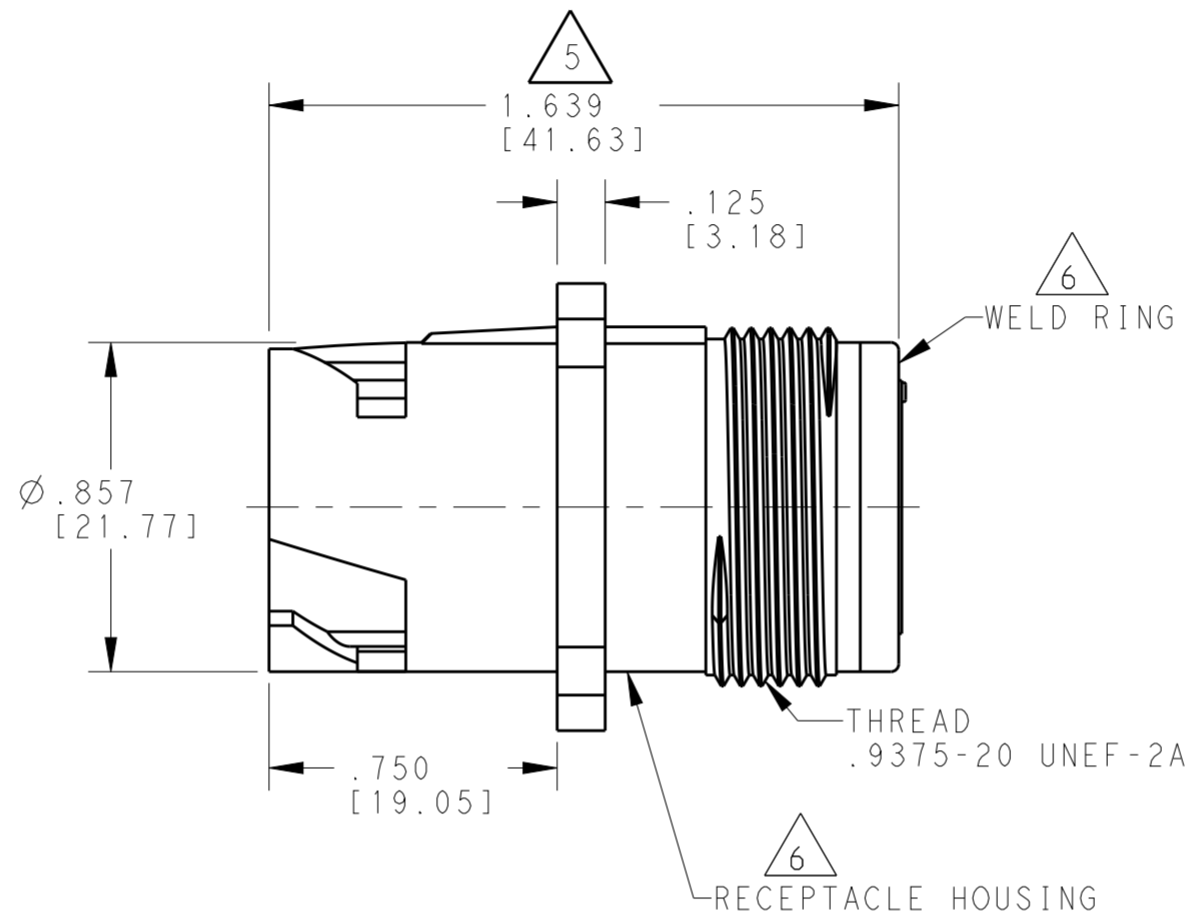
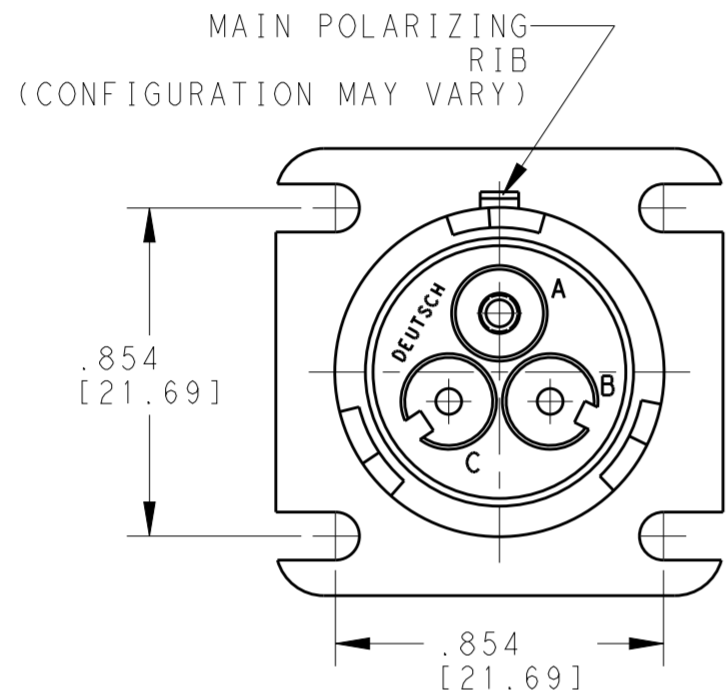
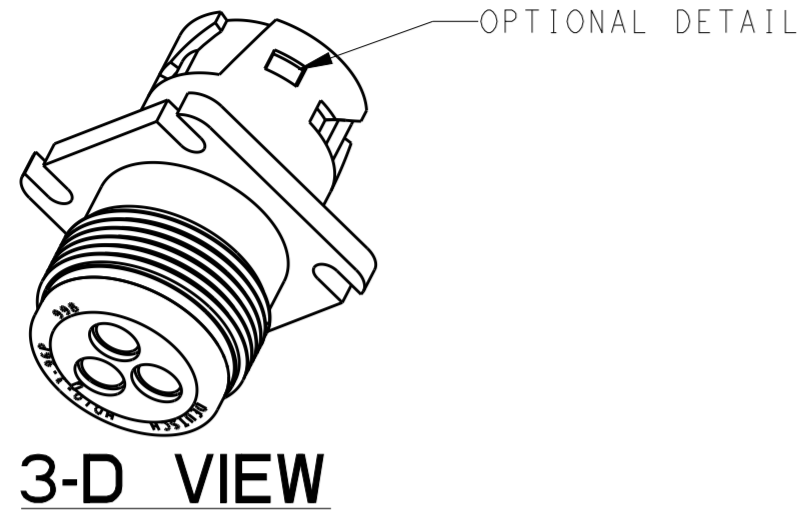


| LOC | | DIST | | REVISIONS | | | |
|-----|-----|---------------------------|-----------|-----------|------|--|--|
| P | LTR | DESCRIPTION | DATE | DWN | APVD | | |
| F | | REVISED PER E.O. P18479 | 29JAN2004 | - | RDR | | |
| G | | REVISED PER E.O. P20555 | 21JUL2010 | - | RDR | | |
| H | | REVISED PER E.O. P21394 | 6JUL2012 | - | RDR | | |
| H1 | | REVISED PER ECO-14-002953 | 29JAN2014 | PV | DM | | |



- 6. MATERIAL:
RECEPTACLE HOUSING AND WELD RING: PA 15%GF (GREY)
GROMMET: SILICONE (RED)
- 5. OVERALL DIMENSION DOES NOT INCLUDE RUBBER GROMMET.
- 4. THIS RECEPTACLE MATES WITH FOLLOWING PLUG (X=SEAL TYPE, XXXX= ALL MODIFICATIONS).
HD16-3-96SX-XXXX
- 3. SEE DRAWING 0425-015-0000 FOR CONTACT AND WIRE PERFORMANCE AND APPLICATION CHARACTERISTICS.
- 2. MAXIMUM PANEL THICKNESS IS .250 [6.35].
- 1. SEE TABLE FOR USABLE WIRE RANGE AND INSULATION RANGES.

| CONTACT SIZE | MINIMUM O.D. | MAXIMUM O.D. | WIRE RANGE [mm] ² / AWG |
|--------------|--------------|--------------|------------------------------------|
| 16 | .100 [2.54] | .150 [3.81] | 14-20 AWG [2.0-.50] |

NOTES:

THIS DRAWING IS A CONTROLLED DOCUMENT.

DWN: R. OCHOA 18OCT1998
 CHK: I. GRANTCHAROVA 16SEP2013
 APVD: D. MEYER 18SEP2013

STE TE Connectivity

NAME: RECEPTACLE CONNECTOR SQUARE FLANGE HD10 SERIES 3-96 ARRANGEMENT COLOR: GREY

DIMENSIONS: INCHES [mm]

TOLERANCES UNLESS OTHERWISE SPECIFIED:
 0 PLC ±
 1 PLC ±
 2 PLC ±
 3 PLC ±.025
 4 PLC ±
 ANGLES ±0° 30' 0"
 FINISH

MATERIAL: 6

PRODUCT SPEC: -
 APPLICATION SPEC: -
 WEIGHT: 18.86 (g)

SIZE: A200779 CAGE CODE: HD10-3-96P
 DRAWING NO: HD10-3-96P

RESTRICTED TO: -

Customer Drawing SCALE: 2:1 SHEET 1 OF 1 REV: H1