

General Description

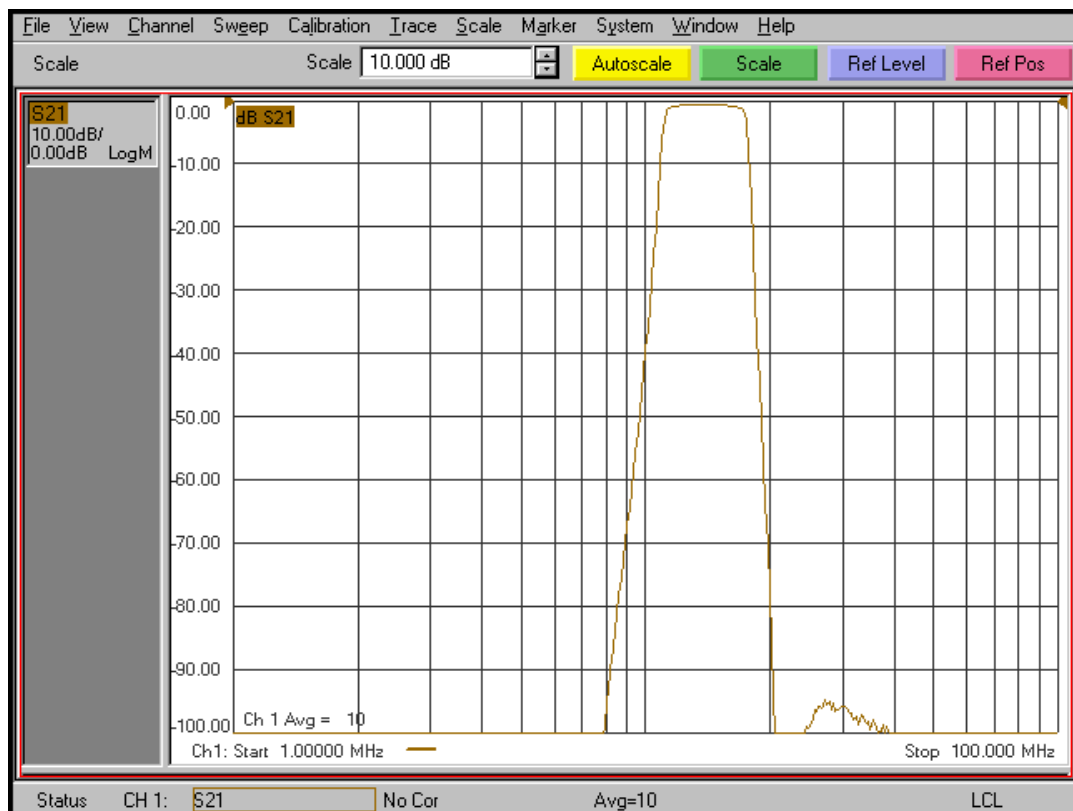
KR Electronics part number 3131-14 is a 14 MHz bandpass filter. The filter has a minimum 1 dB bandwidth of 5.1 MHz. Other center frequencies and bandwidths available. Please consult the factory.

Features

- 14 MHz Center Frequency
- 5.1 MHz min 1 dB Bandwidth
- Sharp Transition to Stopband
- High Stopband Rejection >80 dB
- 50 Ω Source and Load
- SMA Connectors

Typical Performance

Overall Response (10 dB/div)

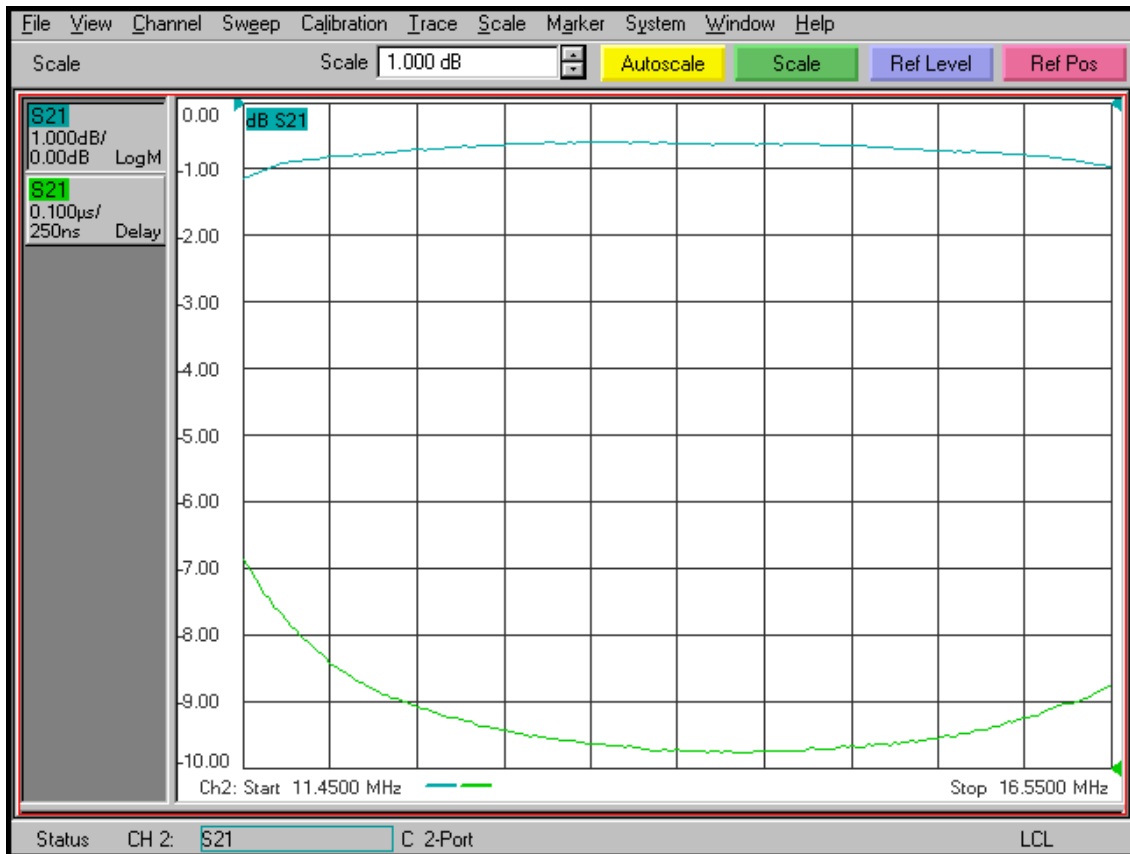


KR Electronics, Inc.
91 Avenel Street
Avenel, NJ 07001

Web www.krfilters.com
Email sales@krfilters.com
Phone (732) 636-1900
Fax (732) 636-1982

Typical Performance

Passband Amplitude & Group Delay
(1 dB/div & 100 nsec/div)

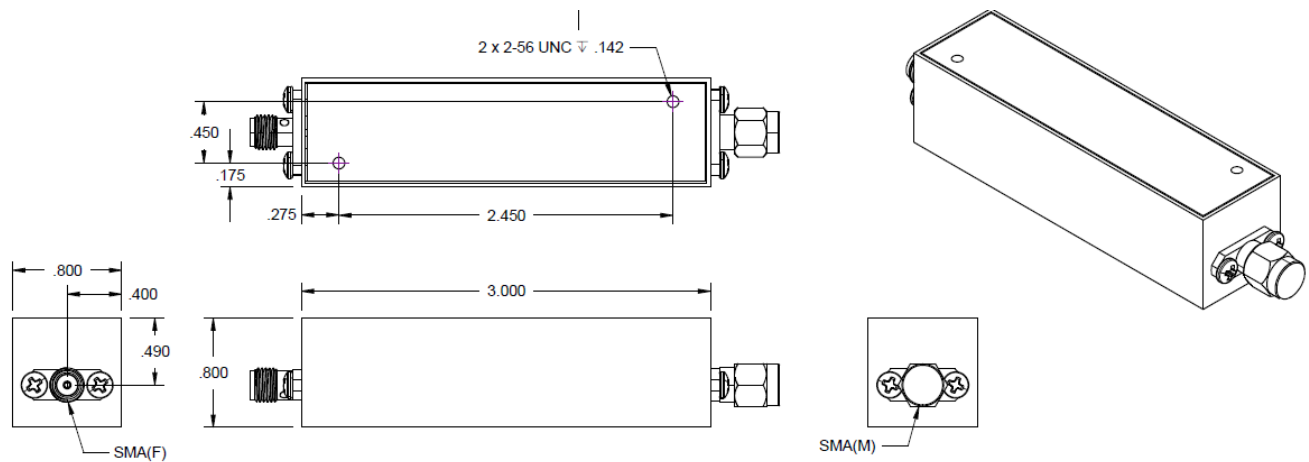


KR Electronics 3131-14

Specifications

Parameter	Specification	Notes
Filter type	Bandpass	
Center Frequency	14 MHz	
Insertion Loss	2 dB max	0.6 dB typical
1 dB Bandwidth	5.1 MHz min 6.0 MHz typical	11.45 MHz to 16.55 MHz
3 dB Bandwidth	6.5 MHz typical	
40 dB Bandwidth	8.73 MHz typical	
Rejection at 8 MHz	80 dB min	
Rejection at 20.5 MHz	80 dB min	
Source and Load	50 Ω	

Physical Dimensions



Notes:

1. SMA(F) to SMA(M)
2. Mounting Inserts 2x 2-56
3. Dimensions in inches

KR Electronics, Inc.
91 Avenel Street
Avenel, NJ 07001

Web www.krfilters.com
Email sales@krfilters.com
Phone (732) 636-1900
Fax (732) 636-1982