

PLEASE CHECK WWW.MOLEX.COM FOR LATEST PART INFORMATION

Part Number: [0521160413](#)
Status: **Active**
Overview: [Mizu-P25™ Miniature Waterproof Connectors](#)
Description: Mizu-P25 2.50mm Pitch Waterproof Wire-to-Wire Plug Housing, 2 Circuits, Wide-Body Type

Documents:

[3D Model](#) [Packaging Specification 521160000-P00 \(PDF\)](#)
[Drawing \(PDF\)](#) [RoHS Certificate of Compliance \(PDF\)](#)
[Product Specification PS-52117-008-001 \(PDF\)](#)

Agency Certification

UL E29179

General

Product Family Crimp Housings
 Series [52116](#)
 Application Signal, Wire-to-Wire
 Application Tooling Part Link 62202-4400
 Overview [Mizu-P25™ Miniature Waterproof Connectors](#)
 Product Name Mizu-P25 Waterproof, Splash Proof
 UPC 756054615751

Physical

Circuits (maximum) 2
 Color - Resin Black
 Gender Plug
 Glow-Wire Compliant No
 Lock to Mating Part Yes
 Material - Resin Polyester
 Net Weight 1.800/g
 Number of Rows 1
 Packaging Type Tray
 Panel Mount No
 Pitch - Mating Interface 2.50mm
 Stackable No
 Temperature Range - Operating -40°C to +105°C

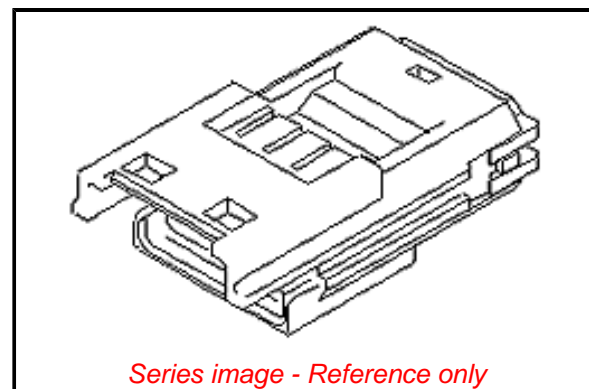
Electrical

Current - Maximum per Contact 3.0A

Material Info

Reference - Drawing Numbers

Packaging Specification 521160000-P00
 Product Specification PS-52117-008-001
 Sales Drawing SD-52116-002



Series image - Reference only

EU ELV

Compliant

EU RoHS

Compliant

REACH SVHC

Not Contained Per
 -ED/01/2017 (12
 January 2017)

Halogen-Free

Status

Not Low-Halogen

Need more information on product environmental compliance?

Email productcompliance@molex.com
 Please visit the [Contact Us](#) section for any non-product compliance questions.

China ROHS	Not Relevant
ELV	Compliant
RoHS Phthalates	Not Contained

Search Parts in this Series

[52116 Series](#)

Mates With

[52117 Mizu-P25 2.50mm Pitch Waterproof Wire-to-Wire Receptacle Housing](#)

Use With

[50038 Mizu-P25 Crimp Terminal](#)

Application Tooling | [FAQ](#)

Tooling specifications and manuals are found by selecting the products below. Crimp Height Specifications are then contained in the Application Tooling Specification document.

Global

Description	Product #
Sealing Cap Hand Tool	0622024400

This document was generated on 10/09/2017

PLEASE CHECK WWW.MOLEX.COM FOR LATEST PART INFORMATION