



Micro Commercial Components



Micro Commercial Components
20736 Marilla Street Chatsworth
CA 91311
Phone: (818) 701-4933
Fax: (818) 701-4939

TIP42/42A/42B/42C

Features

- Lead Free Finish/RoHS Compliant(Note 1) ("P" Suffix designates RoHS Compliant. See ordering information)
- The complementary NPN types are the TIP41 respectively
- Epoxy meets UL 94 V-0 flammability rating
- Moisture Sensitivity Level 1
- Marking : Part Number

Silicon PNP Power Transistors

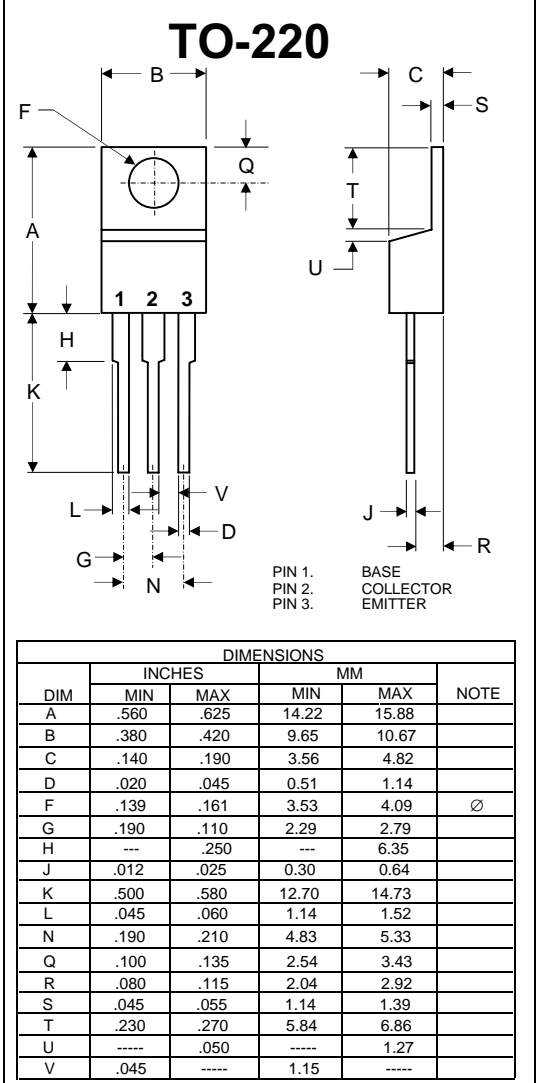
Absolute Maximum Ratings @ T_a = 25°C (unless otherwise noted)

Symbol	Parameter	Value	Unit
V _{CB0} TIP42 TIP42A TIP42B TIP42C	Collector-base voltage (Open emitter)	-40 -60 -80 -100	V
V _{CE0} TIP42 TIP42A TIP42B TIP42C	Collector-emitter voltage (Open base)	-40 -60 -80 -100	V
V _{EB0}	Emitter-base Voltage (Open collector)	-5	V
I _C	Collector Current	-6	A
I _{CM}	Collector Current Pulse	-10	A
I _B	Base Current	-2	A
P _C	Total Device Dissipation (T _a =25°C)	-2	W
	Total Device Dissipation (T _c =25°C)	65	W
T _J	Junction Temperature	150	°C
T _{STG}	Storage Temperature Range	-65 to +150	°C

Electrical Characteristics @ 25°C Unless Otherwise Specified

Symbol	Parameter	Min	Max	Units
V _{CE0(SUS)} TIP42 TIP42A TIP42B TIP42C	Collector-emitter sustaining voltage (I _C =-30mA; I _B =0)	-40 -60 -80 -100		V
V _{CE(sat)}	Collector-emitter Saturation Voltage (I _C =-6A; I _B =-0.6A)		-1.5	V
V _{BE}	Base-emitter Voltage (I _C =-6A; V _{CE} =-4V)		-2.0	V
I _{CES} TIP42 TIP42A TIP42B TIP42C	Collector cut-off current (V _{CE} =-40V; V _{EB} =0) (V _{CE} =-60V; V _{EB} =0) (V _{CE} =-80V; V _{EB} =0) (V _{CE} =-100V; V _{EB} =0)	-0.4		mA
I _{CEO} TIP42/42A TIP42B/C	Collector cut-off current (V _{CE} =-30V; V _{EB} =0) (V _{CE} =-60V; V _{EB} =0)	-0.7		mA
I _{EBO}	Emitter cut-off current (V _{EB} =-5V; I _C =0)		-1.0	mA
h _{fe}	DC current gain (I _C =-0.3A; V _{CE} =-4V) (I _C =-3A; V _{CE} =-4V)	30 15	75	
f _T	Transition frequency (I _C =-0.5A; V _{CE} =-10V)	3		MHZ

Notes:1.High Temperature Solder Exemption Applied, see EU Directive Annex 7.





TM

Micro Commercial Components

Ordering Information :

Device	Packing
Part Number-BP	Bulk; 1Kpcs/Box

IMPORTANT NOTICE

Micro Commercial Components Corp. reserves the right to make changes without further notice to any product herein to make corrections, modifications, enhancements, improvements, or other changes. **Micro Commercial Components Corp.** does not assume any liability arising out of the application or use of any product described herein; neither does it convey any license under its patent rights, nor the rights of others. The user of products in such applications shall assume all risks of such use and will agree to hold **Micro Commercial Components Corp.** and all the companies whose products are represented on our website, harmless against all damages.

LIFE SUPPORT

MCC's products are not authorized for use as critical components in life support devices or systems without the express written approval of Micro Commercial Components Corporation.

CUSTOMER AWARENESS

Counterfeiting of semiconductor parts is a growing problem in the industry. Micro Commercial Components (MCC) is taking strong measures to protect ourselves and our customers from the proliferation of counterfeit parts. MCC strongly encourages customers to purchase MCC parts either directly from MCC or from Authorized MCC Distributors who are listed by country on our web page cited below. Products customers buy either from MCC directly or from Authorized MCC Distributors are genuine parts, have full traceability, meet MCC's quality standards for handling and storage. **MCC will not provide any warranty coverage or other assistance for parts bought from Unauthorized Sources.** MCC is committed to combat this global problem and encourage our customers to do their part in stopping this practice by buying direct or from authorized distributors.

www.mccsemi.com