



SMA PIN-PIN Limiter, 100 Watts Peak Power,
 20 dBm Flat Leakage, 500 MHz to 1,000 MHz

Limiters Technical Data Sheet

PE8017

Electrical Specifications

Internal DC Return

| Description | Minimum | Typical | Maximum | Units |
|---|---------|---------|---------|-------|
| Frequency Range | 500 | | 1,000 | MHz |
| Insertion Loss | | 0.4 | | dB |
| Input VSWR | | 1.4:1 | | |
| Output VSWR | | 1.4:1 | | |
| Leakage (CW) @ 1 Watt CW | | | +20 | dBm |
| Leakage (Peak) | | | +23 | dBm |
| Recovery Time | | 20 | | ns |
| Input Power (CW) | | | 1 | Watt |
| Input Power (Peak) @1us pulse, 0.1% Duty Cycle Derated to 20% @ +125°C | | | 100 | Watt |
| Limiting Threshold | | +12 | | dBm |

Electrical Specification Notes:

Values at 25°C, sea level. Specification @ +25°C and -10 dBm input power.

Mechanical Specifications

Size

| | |
|---------------------------|----------------------------|
| Length | 1.21 in [30.73 mm] |
| Width | 0.31 in [7.87 mm] |
| Height | 0.31 in [7.87 mm] |
| Weight | 0.2 lbs [90.72 g] |
| Body Material and Plating | Passivated Stainless Steel |

Configuration

| | |
|---------------|----------------------|
| Style | PIN-PIN Limiter |
| Package Style | Connectorized Module |
| Impedance | 50 Ohms |
| Connector 1 | SMA Male |
| Connector 2 | SMA Female |

Environmental Specifications

Temperature

| | |
|-----------------|-------------------|
| Operating Range | -55 to +90 deg C |
| Storage Range | -65 to +125 deg C |

| | |
|-------|-----------------|
| Shock | 50 G's, 11 msec |
|-------|-----------------|

Click the following link (or enter part number in "SEARCH" on website) to obtain additional part information including price, inventory and certifications: [SMA PIN-PIN Limiter, 100 Watts Peak Power, 20 dBm Flat Leakage, 500 MHz to 1,000 MHz PE8017](#)



SMA PIN-PIN Limiter, 100 Watts Peak Power,
20 dBm Flat Leakage, 500 MHz to 1,000 MHz

Limiters Technical Data Sheet

PE8017

Vibration

20G, 100 to 2000Hz

Compliance Certifications (visit www.Pasternack.com for current document)

Not RoHS Compliant

REACH Compliant

06/18/2012

Plotted and Other Data

Notes:

- Values at 25°C, sea level.

SMA PIN-PIN Limiter, 100 Watts Peak Power, 20 dBm Flat Leakage, 500 MHz to 1,000 MHz from Pasternack Enterprises has same day shipment for domestic and International orders. Our RF, microwave and millimeter wave products maintain a 99% availability and are part of the broadest selection in the industry.

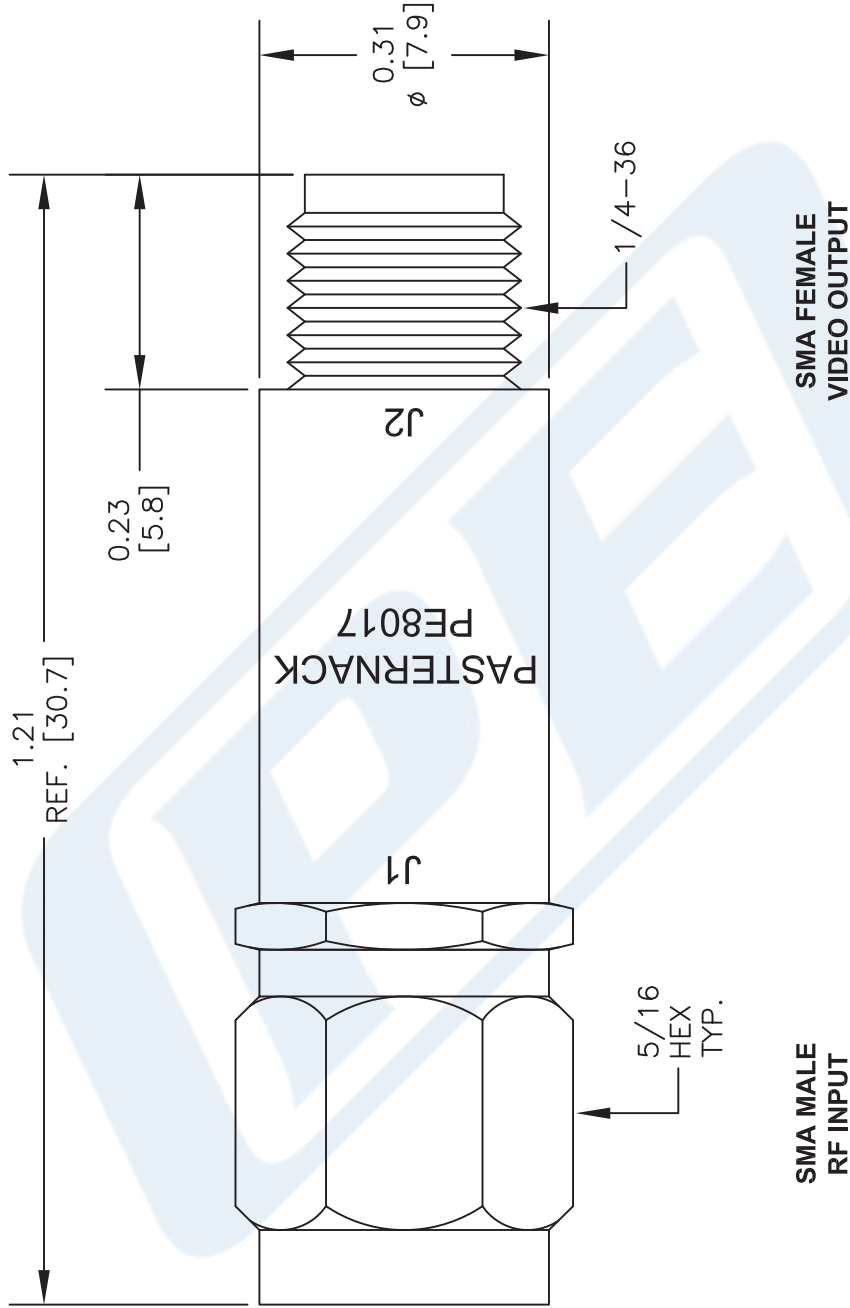
Click the following link (or enter part number in "SEARCH" on website) to obtain additional part information including price, inventory and certifications: [SMA PIN-PIN Limiter, 100 Watts Peak Power, 20 dBm Flat Leakage, 500 MHz to 1,000 MHz PE8017](http://www.pasternack.com/sma-limiter-pin-pin-19-dbm-1000-mhz-pe8017-p.aspx)

URL: <http://www.pasternack.com/sma-limiter-pin-pin-19-dbm-1000-mhz-pe8017-p.aspx>

The information contained in this document is accurate to the best of our knowledge and representative of the part described herein. It may be necessary to make modifications to the part and/or the documentation of the part, in order to implement improvements. Pasternack reserves the right to make such changes as required. Unless otherwise stated, all specifications are nominal. Pasternack does not make any representation or warranty regarding the suitability of the part described herein for any particular purpose, and Pasternack does not assume any liability arising out of the use of any part or documentation.

PE8017 CAD Drawing

SMA PIN-PIN Limiter, 100 Watts Peak Power, 20 dBm
Flat Leakage, 500 MHz to 1,000 MHz



DWG TITLE

PE8017

NOTES:
1. UNLESS OTHERWISE SPECIFIED ALL DIMENSIONS ARE NOMINAL.
2. ALL SPECIFICATIONS ARE SUBJECT TO CHANGE WITHOUT NOTICE AT ANY TIME.
3. DIMENSIONS ARE IN INCHES [mm].

FSCM NO. 53919

CAD FILE 090313

SCALE N/A

SIZE A

2233



THE ENGINEER'S RF SOURCE

Pasternack Enterprises, Inc.
P.O. Box 16759 | Irvine | CA | 92623
Phone: (949) 261-1920 | Fax: (949) 261-7451
Website: www.pasternack.com | E-Mail: sales@pasternack.com