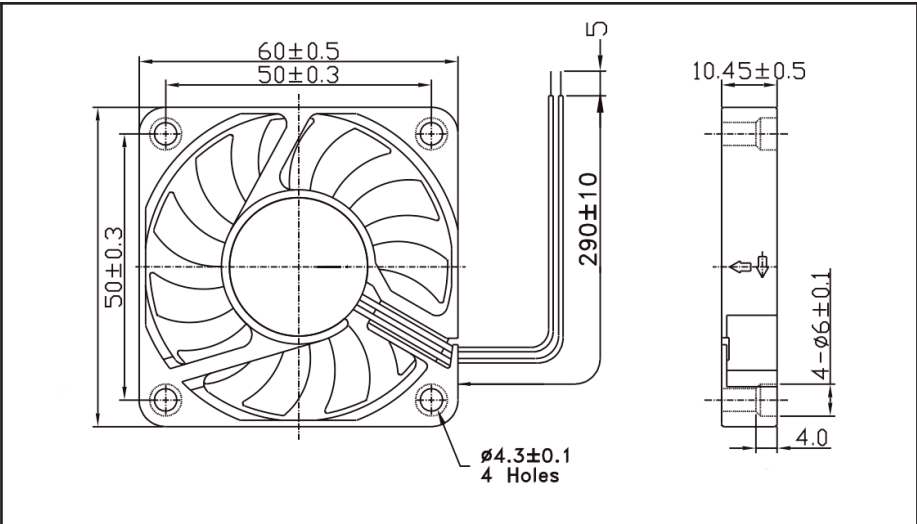


OD6010 Series



DC Fan - 5V, 12V
60x10mm (2.36"x 0.39")



Frame & Impeller	PBT, UL94V-0 plastic	Available Options: Tachometer Alarm 24V Life Expectancy (L10) Ball - 60,000 hrs (45C) Sleeve - 30,000 hrs (45C) Operating Temperature Ball: -20C ~ +75C Sleeve: -10C ~ +50C Weight: ~ 0.07 lbs m1	
Connection	2x Lead wires 24AWG		
Motor	Brushless DC, auto restart, impedance and polarity protected		
Bearing System	Ball bearing or Sleeve		
Insulation Resistance	10M ohm between leadwire and frame (500VDC)		
Dielectric Strength	1 minute at 500 VAC, max leakage < 500 MicroAmp		
Storage Temperature	-40C ~ +80C		

Model Number	Speed (RPM)	Airflow (CFM)	Noise (dB)	Volts DC	Input Power (W)	Amps	Max. Static Pressure (\"H ₂ O)
OD6010-05M *	4000	17	31	5	1.65	0.33	0.12
OD6010-05L *	3400	14	26	5	1.30	0.26	0.09
OD6010-12H *	4600	21	36	12	3.00	0.25	0.16
OD6010-12M *	4000	17	31	12	1.92	0.16	0.12
OD6010-12L *	3400	14	26	12	1.20	0.10	0.09

* Indicate "B" for ball bearing or "S" for sleeve bearing