

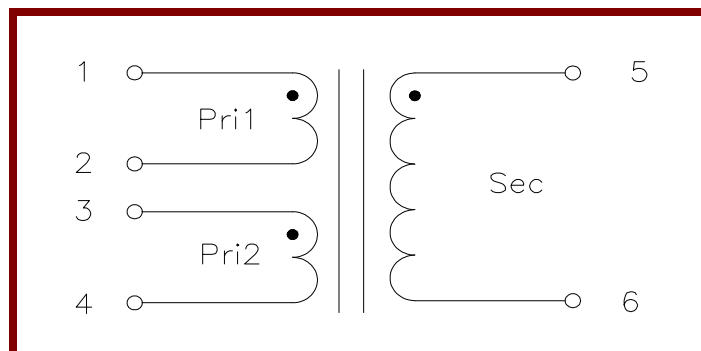
Features

- TOROID SMD Platform
- RoHS Compliant Product
- Operating temperature: -40 °C~105 °C
- AEC-Q200 Qualified except ESD and Vibration
- Build in TS16949 facility

Electrical Specifications @+25°C

Part Number	Application	Turn Ratio			Primary Secondary Isolation	Primary Inductance (mH MIN)	DCR (mΩ MAX)
		Pri1	Pri2	Sec			Sec
M1300 M1	Current Sense Transformer	1	1	50	1500Vac, 2 Seconds	4.6	300

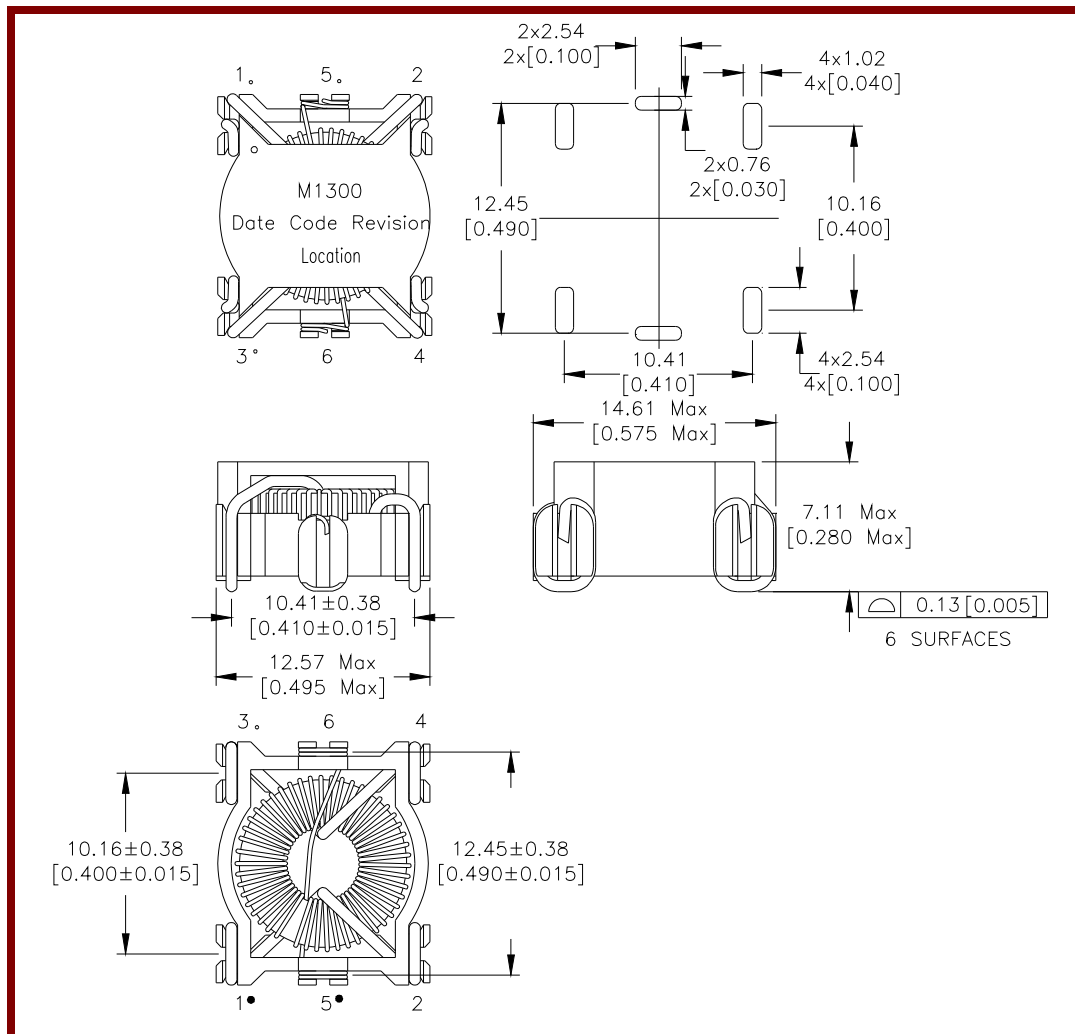
Schematic



Automotive

Mechanical Outlines

Dimensions $\frac{\text{MM}}{\text{INCH}}$
 Unless otherwise specified
 All dimensions are $\pm \frac{0.13}{0.005}$



Packing Information

- Type: Tape & Reel
- Quantities per reel: 300PCs
- Reels per box: 5PCs
- Unit Weight: 1.56g