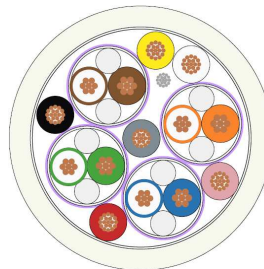


\*) stretched length

All dimensions are in mm; tolerances according to ISO 2768 m-H

**Cable**



Wire	6x
Stranded bare copper wire with PVC insulation	26 AWG, Ø 0.48 mm Ø 0.9 mm
Shielded pair	4x
Stranded bare copper wire with PE insulation	26 AWG, Ø 0.48 mm Ø 1.0 mm
Plastic tape overlapped	
Alulaminat foil overlapped	
Drain wire	1x
Stranded tinned copper wire	28 AWG
Jacket	
PUR, similar RAL 9010	Ø 6.8 ± 0.2 mm

MultiMag 15

Cable Assembly

**L99-345-XXX**

**Available versions**

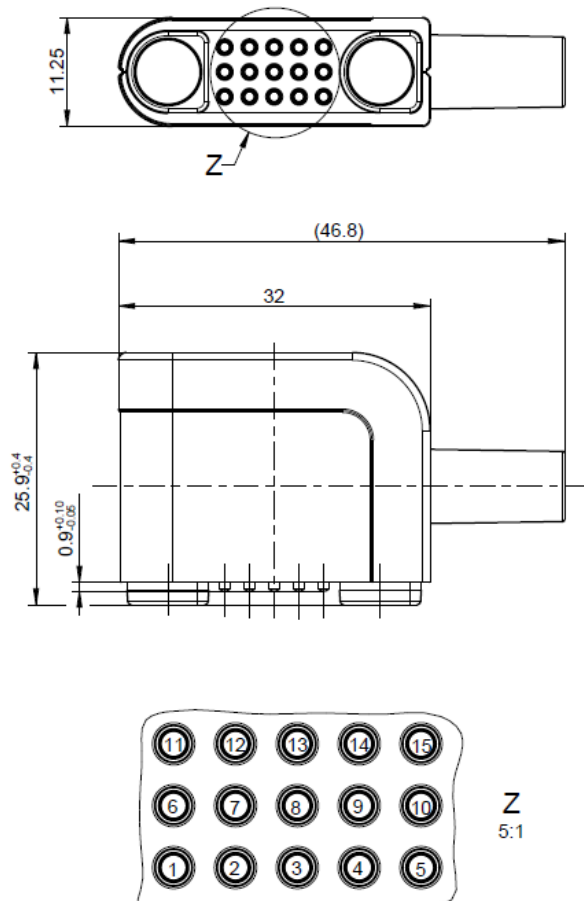
Type	Cable	Length A [mm]
L99-345-3500	L45467-J414-W28	3500 +60/-10
L99-345-3000	L45467-J414-W28	3000 +60/-10
L99-345-500	L45467-J414-W28	500 +60/-10

**General information**

Break-off plug with iron cores  
 Coding  
 Number and type of contacts  
 Cable outlet

mechanical  
 15 spring-loaded contacts  
 angled

**Technical data break-off plug**



face plan - break-off plug			
Pos.	signal	colour	AWG
1	D4-	brown <i>(twisted pair)</i>	26
2	D4+	white-brown <i>(twisted pair)</i>	26
3	DC	yellow	26
4	TX+ / D1+	white-green <i>(twisted pair)</i>	26
5	TX- / D1-	green <i>(twisted pair)</i>	26
6	DC	black	26
7	DC	red	26
8	Ground	drain wire	28
9	DC	grey	26
10	DC	pink	26
11	D3-	white-blue <i>(twisted pair)</i>	26
12	D3+	blue <i>(twisted pair)</i>	26
13	DC	white	26
14	RX- / D2-	orange <i>(twisted pair)</i>	26
15	RX+ / D2+	white-orange <i>(twisted pair)</i>	26

All dimensions are in mm; tolerances according to ISO 2768 m-H

The pin assignment corresponds to the coding of the connector. Different assignments can cause malfunction or damage.

Dieses Dokument ist urheberrechtlich geschützt • This document is protected by copyright • Rosenberger Hochfrequenztechnik GmbH & Co. KG RF\_35/09;14/6.2

MultiMag 15

Cable Assembly

**L99-345-XXX**

**Interface**

Mating with

M9K102-199 (Long receptacle with magnets, cable version)  
 M9K103-400 (Short receptacle with magnets, PCB version)  
 M9K115-400 (Long receptacle with magnets, PCB version)

**Material and plating**

**Connector parts**

Housing insert  
 Housing parts 1 and 2  
 Iron Core  
 Bend protection

**Material**

PBT  
 PC  
 S235  
 TPE

**Plating / Color**

similar RAL 9003  
 similar RAL 9003  
 similar RAL 9003

**Spring loaded contacts**

Piston  
 Ferrule  
 Spring

**Material**

Brass  
 Brass  
 Stainless steel

**Plating / Color**

AuroDur®, gold plated  
 AuroDur®, gold plated  
 min 0,1 µm Au over 2,5 µm Ni

**Flammability rating**

**Connector parts**

Housing insert  
 Housing parts 1 and 2  
 Bend protection

**Category**

uncolored raw material acc. to UL94 V-0\*  
 uncolored raw material acc. to UL94 HB\*  
 uncolored raw material acc. to UL94 HB\*

\*Please note that a non UL rated color batch is added

**Electrical data**

Operating voltage  
 Operating current  
 Contact resistance

12 V  
 1.5 A per contact  
 typically ≤ 60 mΩ

**Mechanical data**

Mating cycles  
 Minimum bending radius

min. 1.000  
 static: 28 mm, multiple: 56 mm

**Environmental data**

Temperature range  
 RoHS

-25 °C to +75 °C  
 compliant

**Packing**

Standard  
 Weight

1 pce in plastic bag, 10 bags in box  
 L99-345-3500 tbd g/pce  
 L99-345-3000 tbd g/pce  
 L99-345-500 tbd g/pce

While the information has been carefully compiled to the best of our knowledge, nothing is intended as representation or warranty on our part and no statement herein shall be construed as recommendation to infringe existing patents. In the effort to improve our products, we reserve the right to make changes judged to be necessary.

Draft	Date	Approved	Date	Rev.	Engineering change number	Name	Date
H. Wurm	22.01.13	T. Scheuerlein	07.06.16	600	16-0888	A. Streibl	07.06.16

Rosenberger Hochfrequenztechnik GmbH & Co. KG P.O.Box 1260 D-84526 Tittmoning Germany <a href="http://www.rosenberger.de">www.rosenberger.de</a>				Tel. : +49 8684 18-0 Email : <a href="mailto:info@rosenberger.de">info@rosenberger.de</a>		Page 3 / 3
--	--	--	--	--	--	---------------