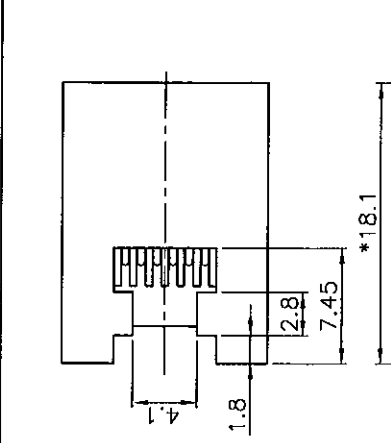
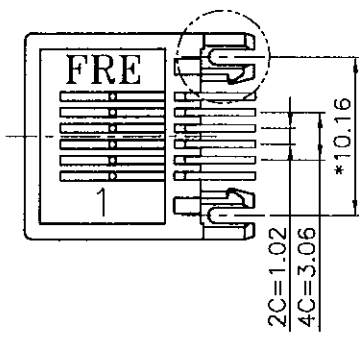
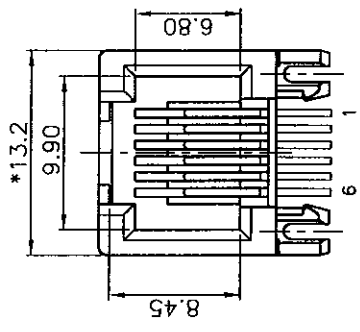


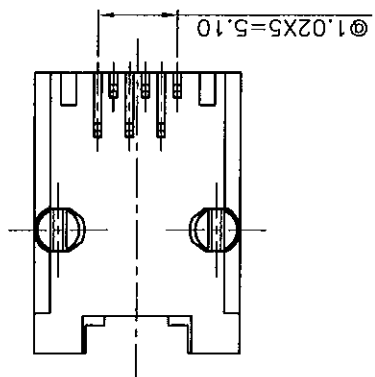
REVISION RECORD			
REV	ECO	DESCRIPTION	DRFT
△		ADD P/N	10/17/05*
△		ADD P/N	1/21/05*
△		ADD P/N	7/19/06
△		ADD P/N	10/26/08



PC Board Layout t=1.60mm
Component Side Shown



- NOTES:**
- ELECTRICAL:**
- VOLTAGE RATING : 150 VAC RMS.
 - CURRENT RATING : 1.5 AMP.
 - CONTACT RESISTANCE : 30 MILLIOHMS MAX.
 - INSULATION RESISTANCE : 1000 MEGOHMS MIN @ 500 VDC.
 - DIELECTRIC STRENGTH : 1000 VAC RMS 60Hz, 1MIN.
- MECHANICAL:**
- HOUSING MATERIAL : FR50&PBT+30% G.F UL94V-0.
 - CONTACT MATERIAL : PHOSPHOR BRONZE Ø0.46mm.
 - PLATING : GOLD PLATING OVER NICKEL.
 - OPERATING LIFE : 750 CYCLES MIN.
 - PCB RETENTION PRE-SOLDER : 1 LB MIN.
 - PCB RETENTION POST-SOLDER : 10 LBS MIN.
- ENVIRONMENTAL:**
- STORAGE : -40°C TO +85°C.
 - OPERATION : -40°C TO +85°C.
 - WAVE SOLDERING TEMPERATURE: 230~250°C (5~10 SECONDS)
- MATES WITH MODULAR PLUG CONFORMING TO FCC PART 68, SUBPART F.
CUL FILE NO. E163191
ROHS PART NUMBER: E536X-300XX-L



DFTO	CNO	DATE	DR	OS	L
CHNO	DATE	DATE	DATE	DATE	DATE
APPROV	DATE	DATE	DATE	DATE	DATE

TOLERANCES EXCEPT AS NOTED

MM	±
.0 ±0.2	±
.00 ±0.15	±
.000 ±0.075	±

ANGLES ± 0.5

THIRD ANGLE PROJECTION

SCALE : 3 : 1

DO NOT SCALE DRAWING

SHEET 1 OF 1

FULL RISE ELECTRONIC CO., LTD	
TITLE	
11.5mm SIDE PCB JACK 6P	
DRAWING NO. GE53022-LC	REV 4
/PART NO. SEE NOTE	SIZE A3

DATE 04/12/05

DATE 02/22/06

DATE 02/22/06

DATE 05/16/06

MATERIAL :

QTY :

FINISH :

SCALE : 3 : 1

DO NOT SCALE DRAWING

SHEET 1 OF 1

MATERIAL OF HSG :

0G-PBT BK.

4G-FR50 BK

△ AG-PBT+30% G.F. WHITE (PBT NATURAL COLOR)

△ AG-PBT+30% G.F. PANTON RED 186C

△ BG-PBT+30% G.F. PANTON GREEN 7479C

△ EH-PBT+30% G.F. PANTON YELLOW 114C

1- 3u" 2- 6u" 3-15u"

2- 2C

4- 4C

6- 6C