

DETAILS

Product Number	CA10716_BOOM-S
Family	Boom
Type	RefAssy
Color	metal
Diameter	22,2 mm
Height	13,74 mm
Style	hexag
Optic Material	
Holder Material	
Fastening	tape
Status	production ready
ROHS Compliant	Yes
Date Updated	30/05/2016

OPTICAL PROPERTIES

LED	Viewing Angle	Light Beam	Efficiency	cd/lm	Connector
MC-E	20 deg	Spot	-	4.120	-
XR-E	10 deg	Spot	-	-	-

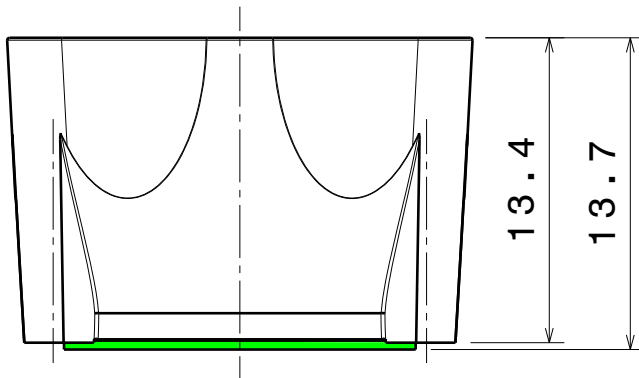
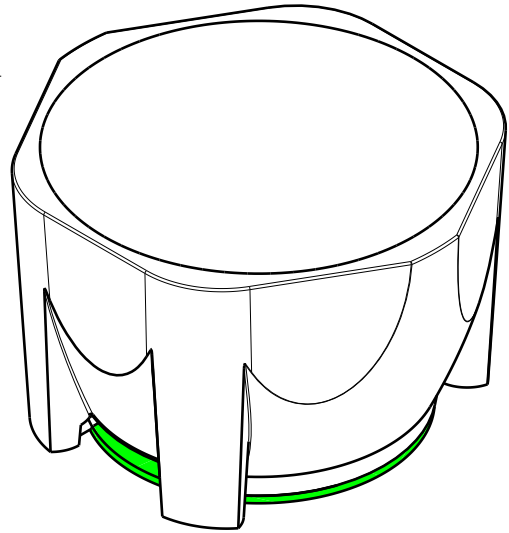
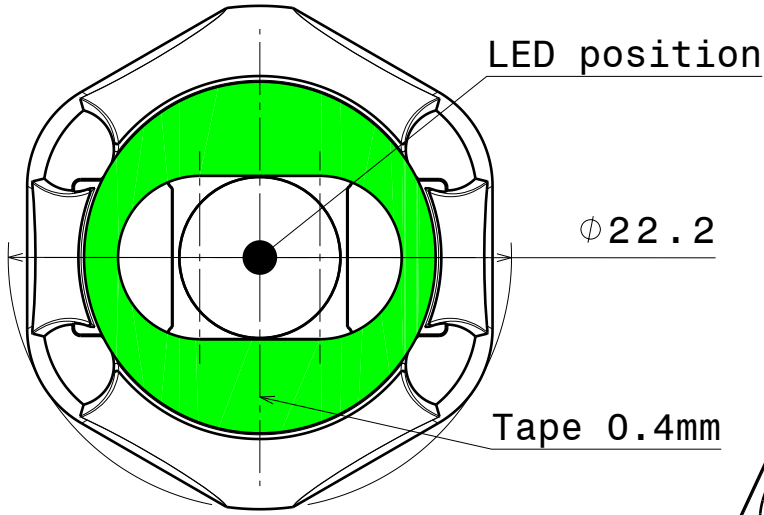


D

C

B

A



Isometric view
Scale: 3:1

Tolerances if not otherwise shown
According to DIN ISO 2768-1
Linear measures:
Up to 30mm class M, otherwise class C.
According to DIN ISO 2768-2
Form and position: class L

LEDiL LediL Oy
Salorankatu 10
FIN 24240 SALO
Finland

THIRD ANGLE PROJECTION:

DRAWING TITLE
CA10716_BOOM-S

This drawing is the property of LEDiL Oy. It may not be reproduced, copied or communicated without a written agreement with LEDiL Oy."

SIZE	PART NUMBER
A4	CA10716

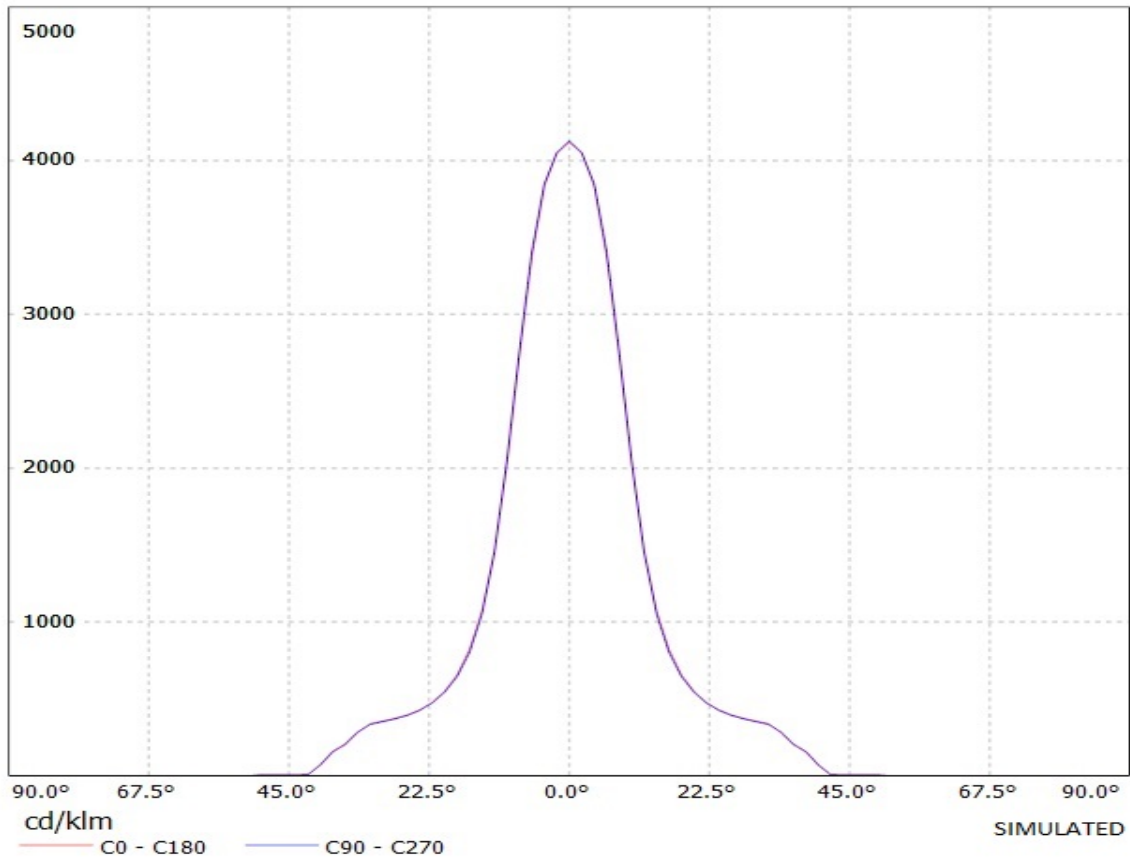
SCALE	3:1	WEIGHT	-	SHEET	1/1
-------	-----	--------	---	-------	-----

D

A

Ledil Oy CA10716_Boom-MC-S CA10716_Boom-MC-S / LDC (Linear)

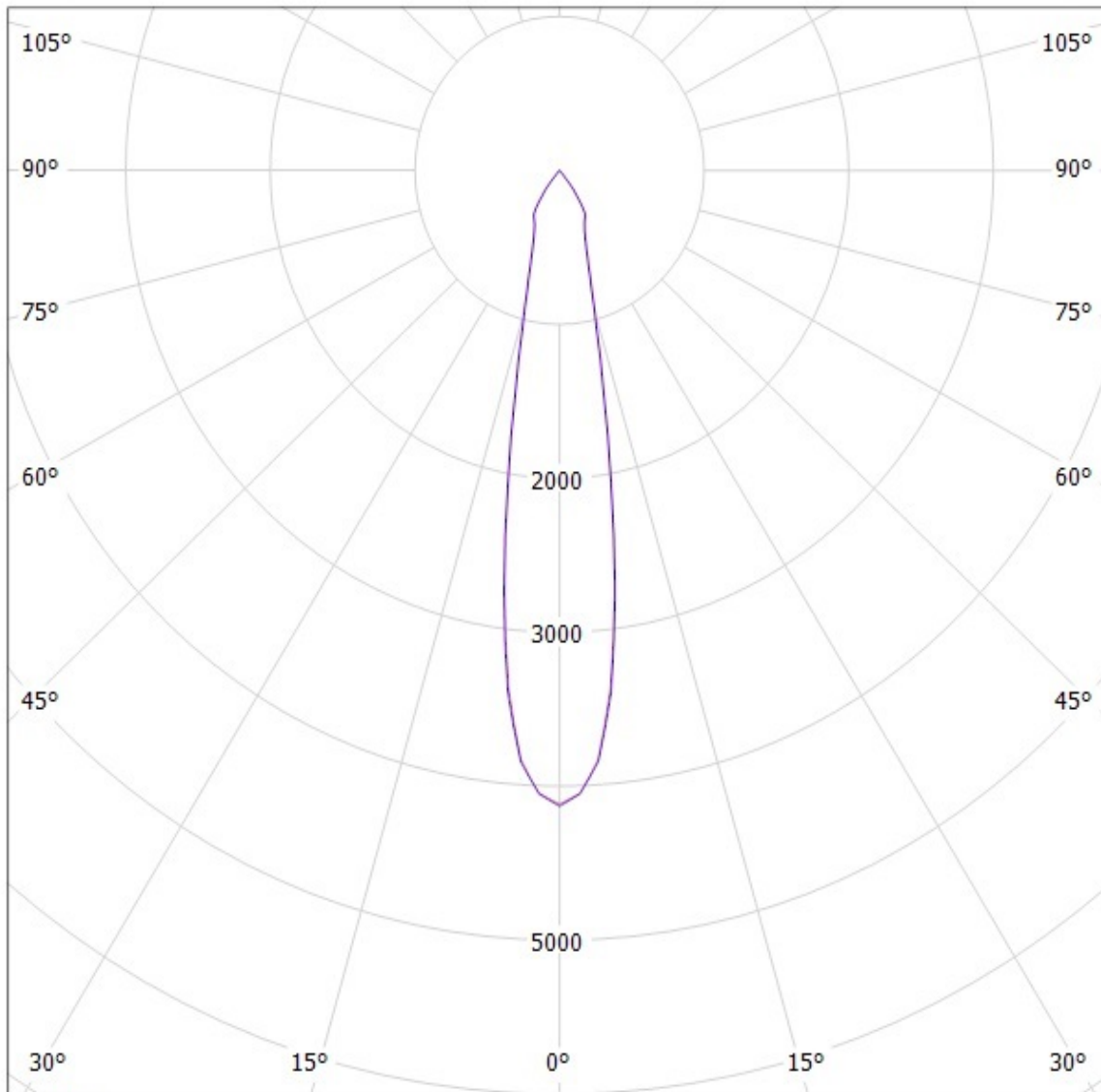
Luminaire: Ledil Oy CA10716_Boom-MC-S CA10716_Boom-MC-S
Lamps: 1 x Cree MC-E (white)



Ledil Oy CA10716_Boom-MC-S CA10716_Boom-MC-S / LDC (Polar

Luminaire: Ledil Oy CA10716_Boom-MC-S CA10716_Boom-MC-S

Lamps: 1 x Cree MC-E (white)



cd/klm

— C0 - C180 — C90 - C270

SIMULATED

NOTE: The typical divergence will be changed by different color, chip size and chip position tolerance. The typical total divergence is the full angle measured where the luminous intensity is half of the peak value.