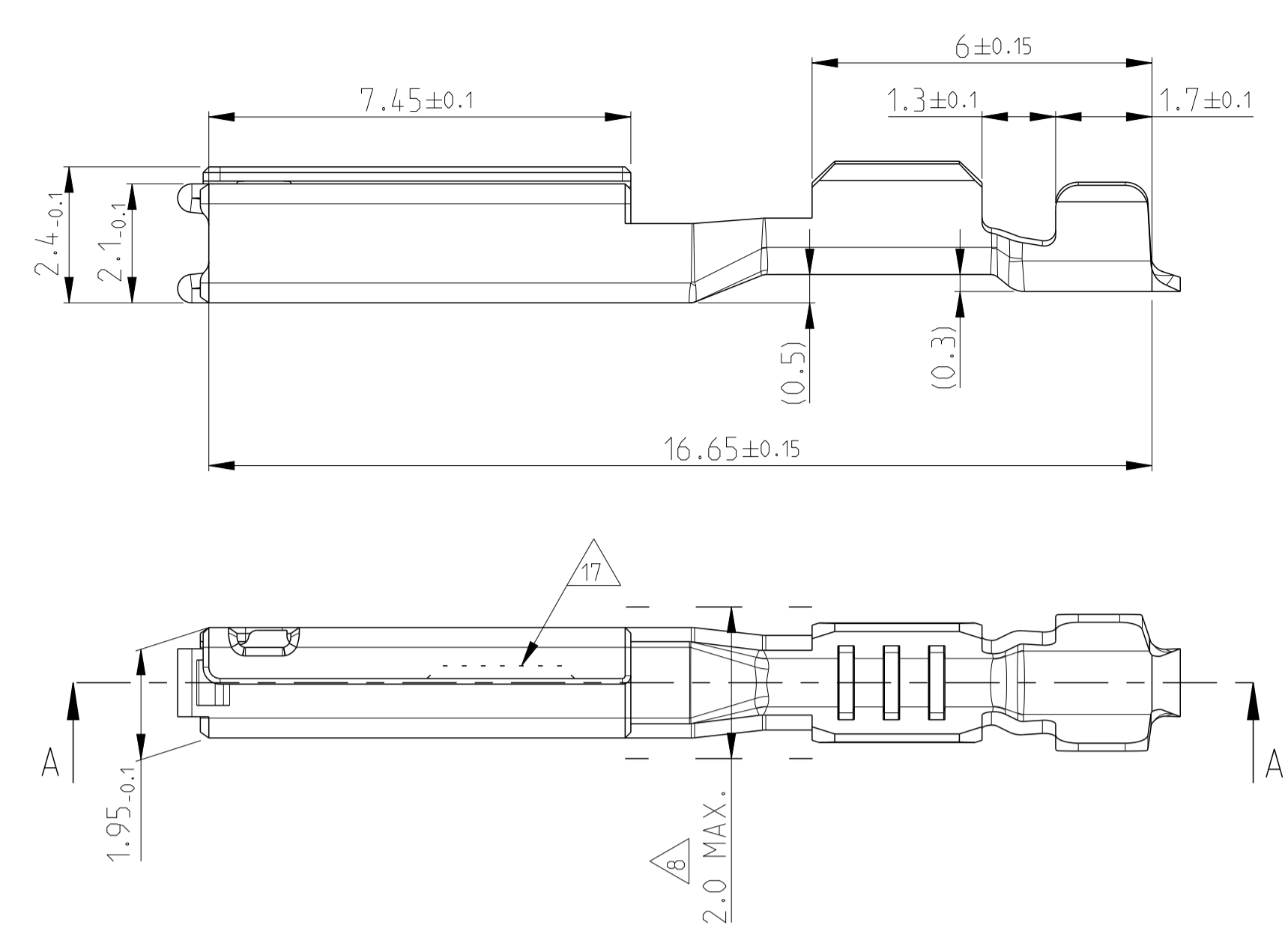
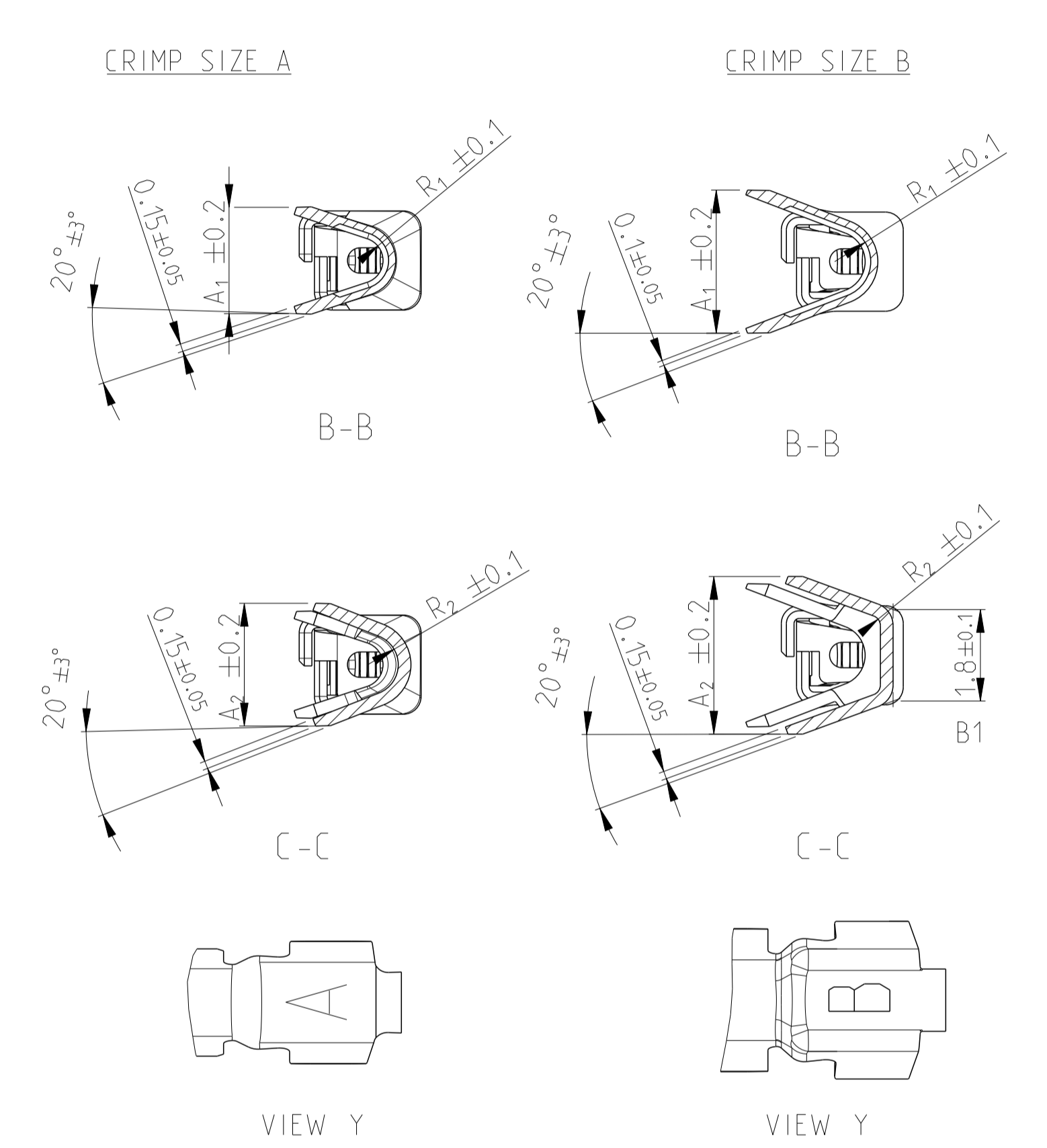
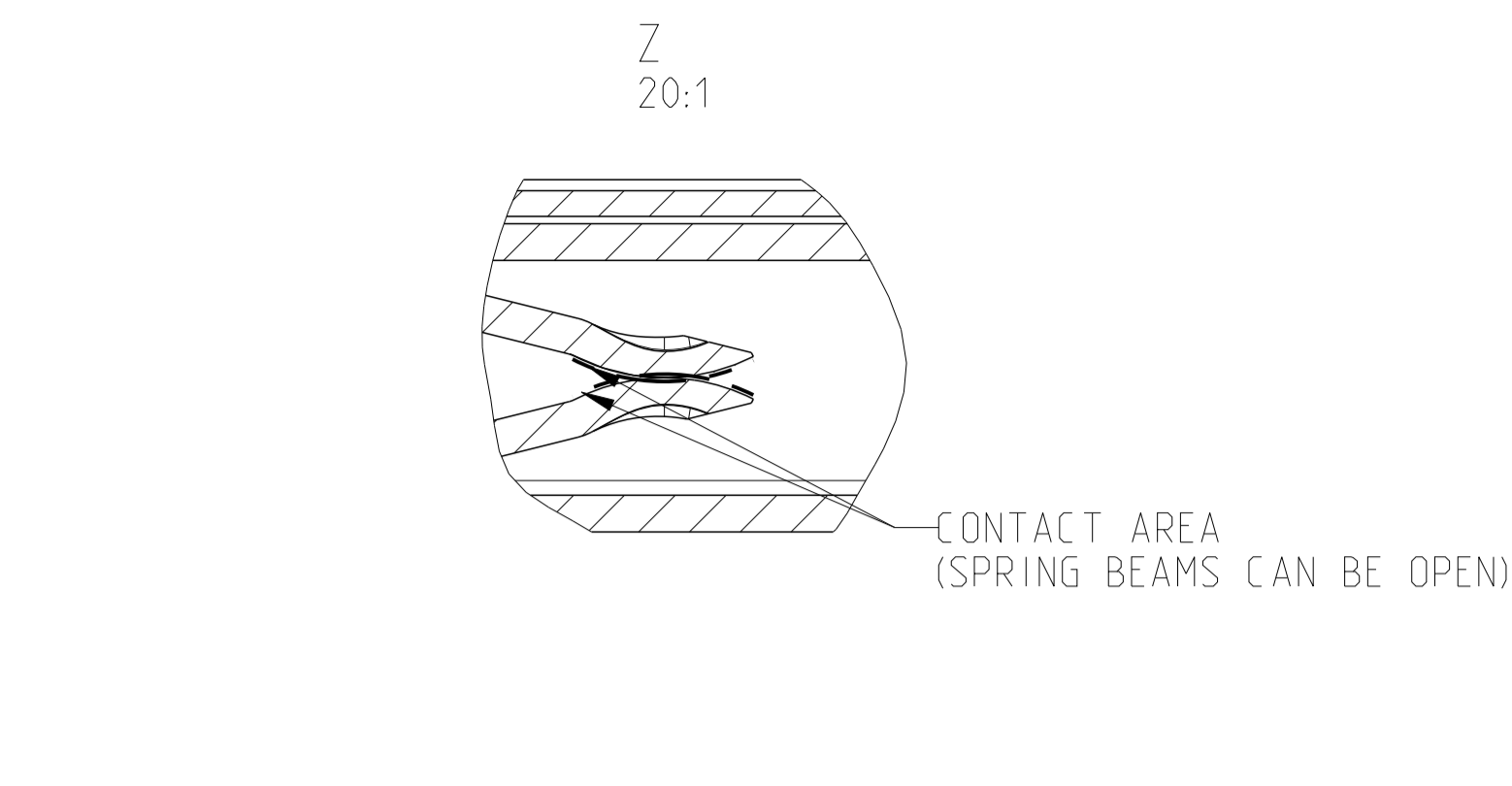
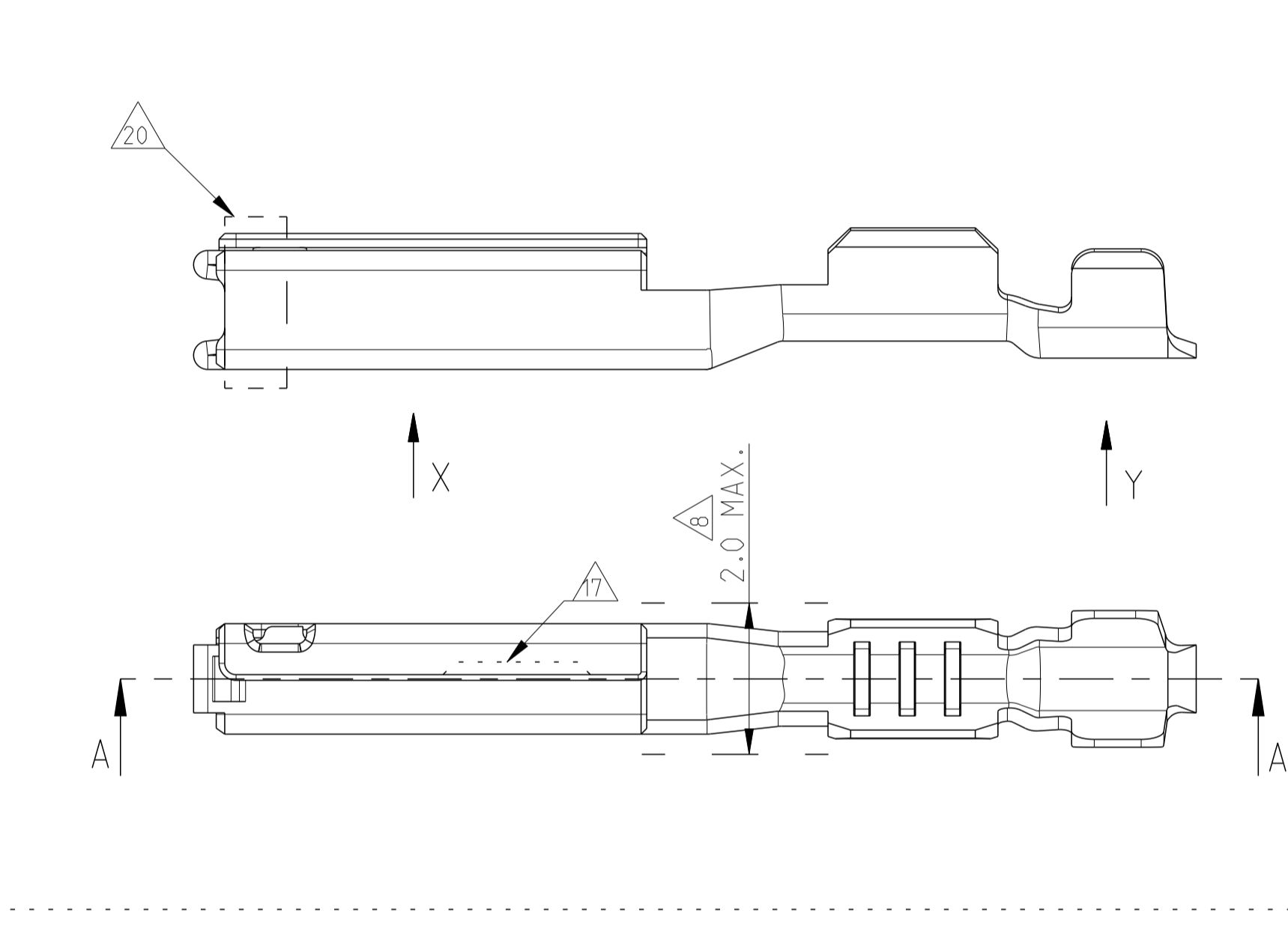


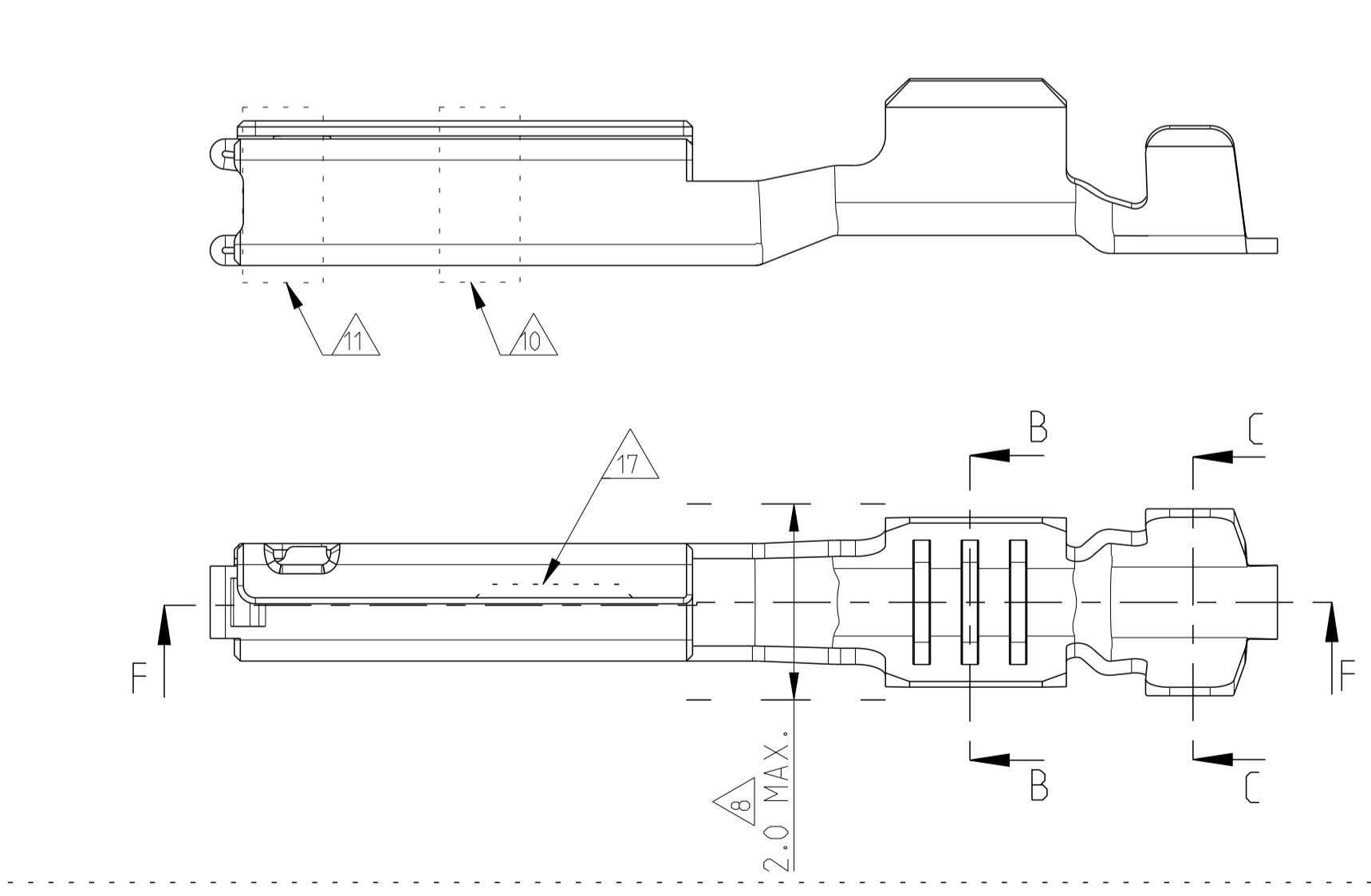
LOC		DIST		REVISIONS			
P	LTN	DESCRIPTION	DATE	OWN	APVD		
B4		REVISED PER ECO-11-005150	31MAR2011	RK	HMR		
B5		SEE ECR-11-016793	23AUG2011	GS	GS		
C		SEE ECR-14-012287	01SEP2014	SS	GS		



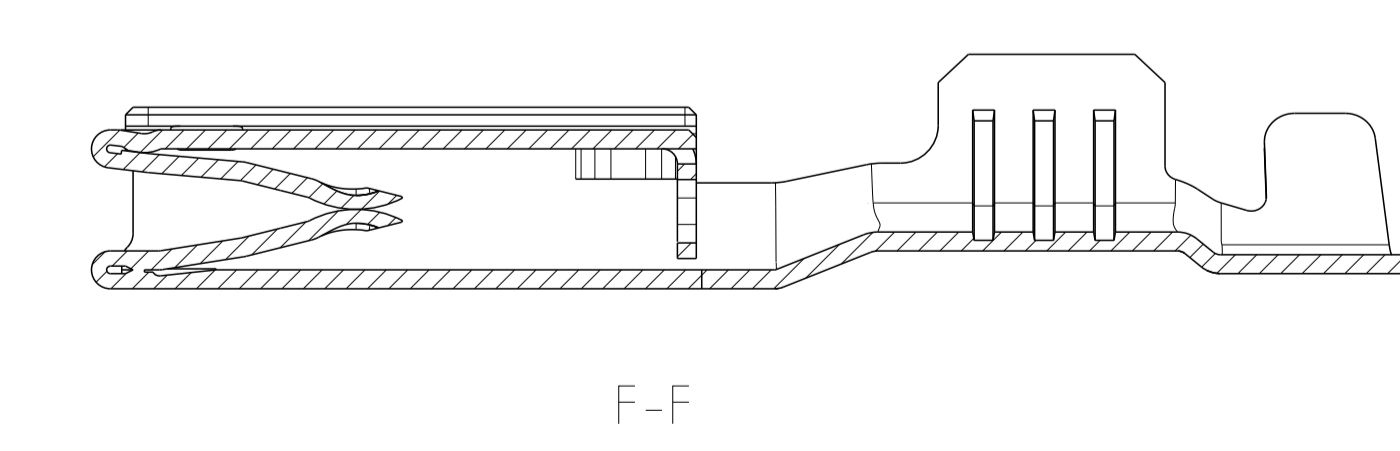
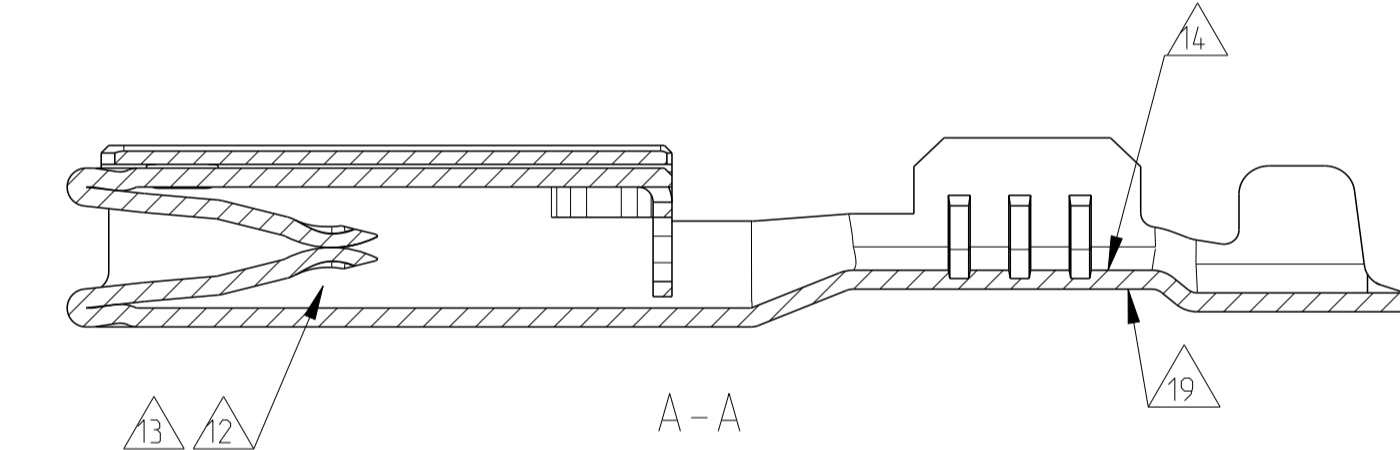
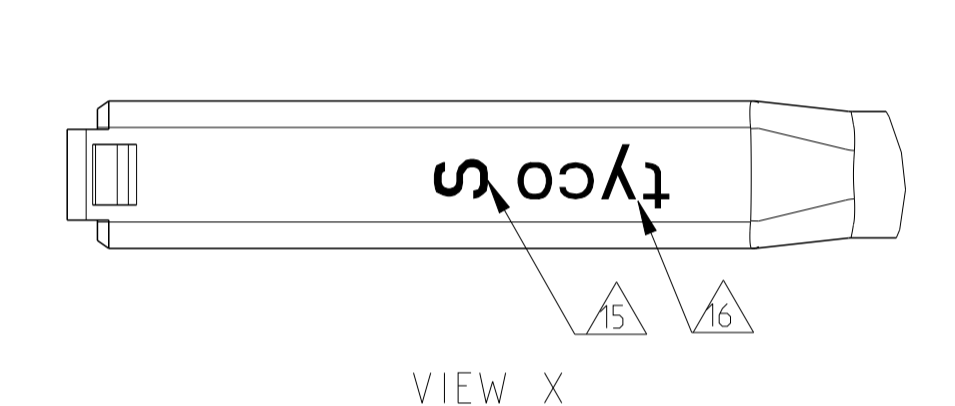
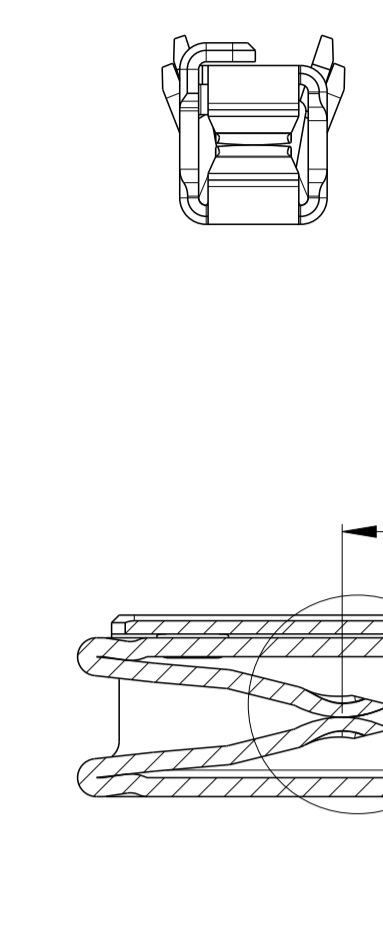
TIN-VERSION



SILVER-VERSION



GOLD-VERSION



- NOTES:
- MATERIAL: COPPER ALLOY. MATERIAL THICKNESS $t=0.25\pm0.01$
 - MUST BE FREE OF CRACKS AND BURRS THAT AFFECT FUNCTIONS.
 - WHEN A TIN/GOLD PLATED TERMINAL IS USED ON THE MALE SIDE THEN THE CORRESPONDING PLATING (TIN OR GOLD) MUST BE USED ON THE FEMALE TERMINAL.
 -
 - 0.2 mm MAX RADIUS PERMISSIBLE ON EDGES AND FILLETS SHOWN AS SHARP FOR STAMPING PARTS.
 -
 - LUBRICATION: OPTIMOL
 - THE WIDTH OF THE TRANSITION (INDICATED AREA) MAY NOT EXCEED 2.0MM
 - TE CONNECTIVITY-CRIMP SPECIFICATION: 114-13060
 - AU FLASH STRIPE ALL ROUND TO IDENTIFY Au VERSION
 - GOLD PLATING ($\geq 0.38 \mu\text{m Au}$) FOR GOLD SHORTING BAR APPLICATIONS VALID FOR 1393364-2 AND 1393365-2 ONLY
 - SILVER PLATING 3-5 μm OVER NICKEL (CONTACT AREA ONLY)
 - TARNISH FOR SILVER VERSION
 - TIN PLATING 2-4 μm OVER NICKEL (CRIMP AREA ONLY)
 - SILVER MARKING
 - ALTERNATE LOGO "TE" OR "T" IS ALLOWED
 - OPTIONAL NOTCH DESIGN ALLOWED
 - FOR SILVER PLATING, ELECTRICAL PERFORMANCE IS NOT AFFECTED BY GRAY OR BLACK TARNISH ON THE SILVER PLATING SURFACE. ACCEPTABLE SILVER SURFACE CAN INCLUDE GRAY OR BLACK TARNISH.
 - TIN PLATING 0.6 μm MIN. OVER NICKEL (CRIMP AREA ONLY)
 - SILVER PLATING ($\geq 0.5 \mu\text{m Ag}$) FOR SILVER SHORTING BAR APPLICATIONS. VALID FOR 1393366-2 AND 1393367-2 ONLY.

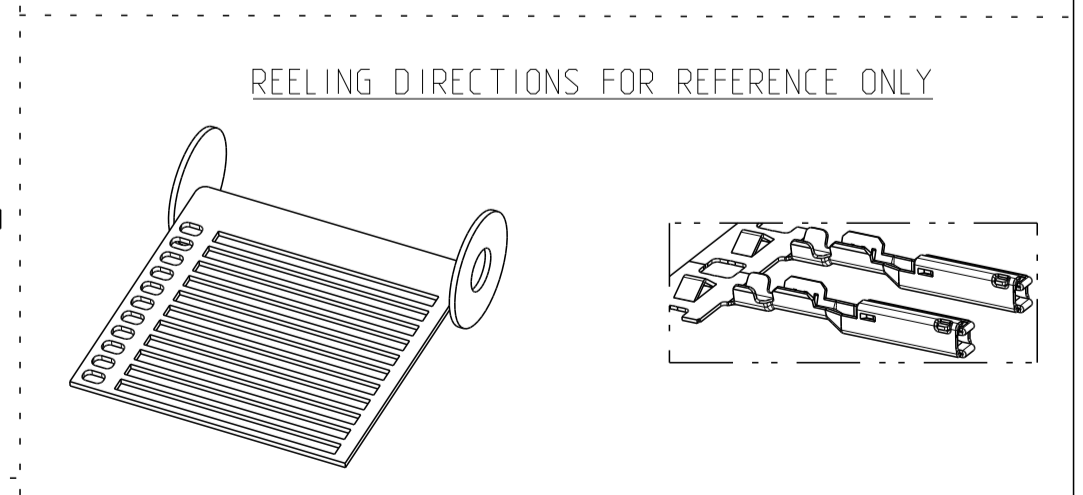
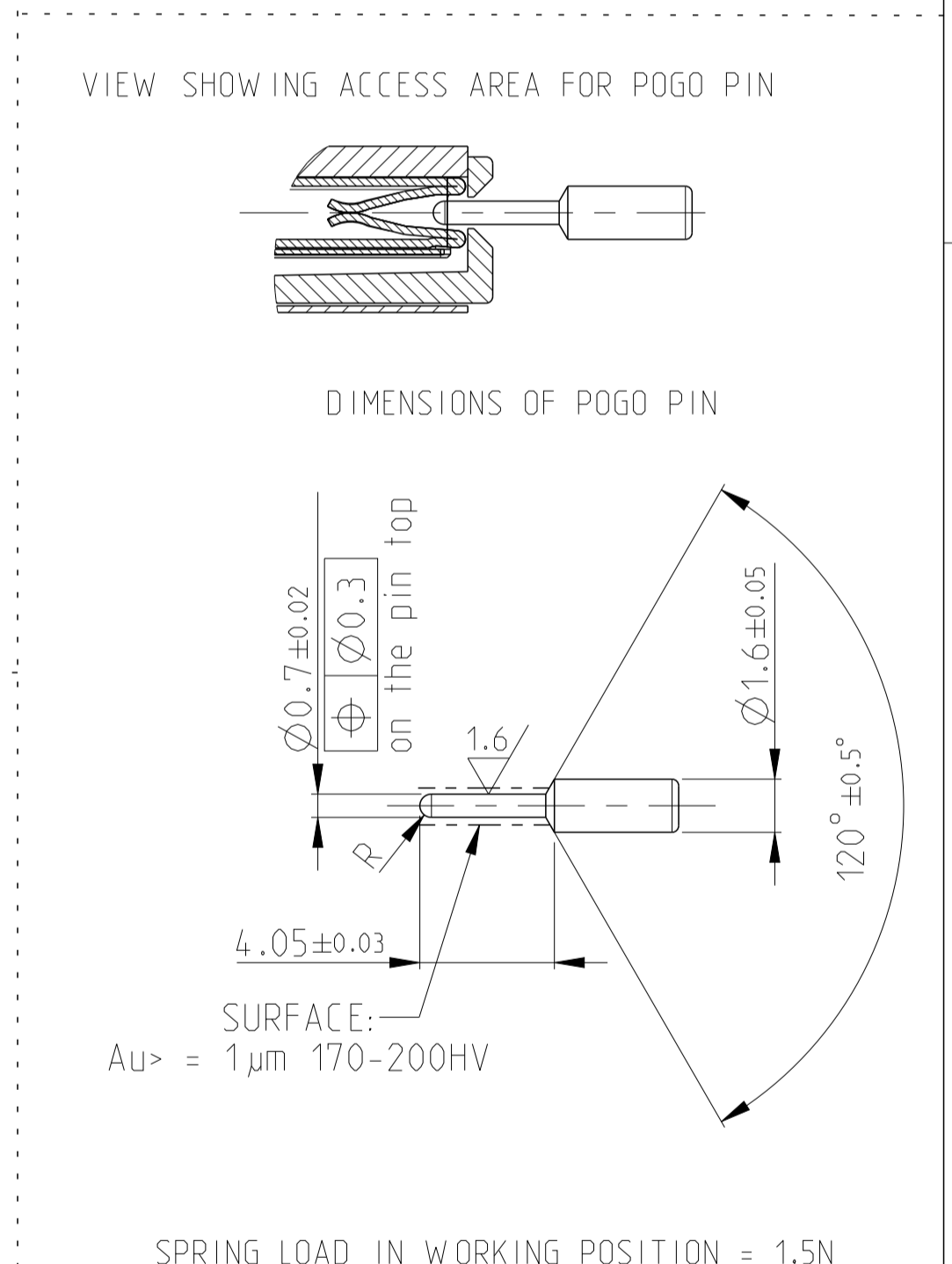


TABLE 1: TERMINAL CRIMP & GRIP REFERENCE TABLE.

PART NO.	PART-REV.	PLATING SPECIFICATION	WEIGHT	CONDUCTOR WIRE SIZE	DIMENSIONS				CONDUCTOR CRIMP INFO	INSULATION CRIMP INFO	MATERIAL TYPE
					A1	A2	R1	R2			
0-1393364-1	A	GOLD PLATING	0.22g	AWG 22	2.11	2.4	0.45	0.6	A	SEE TE Connectivity SPEC 114-13060	CuNi3SiMg DIN 1777
0-1393364-2	A	GOLD PLATING		0.35	2.11	2.4	0.45	0.6	A		
0-1393367-2	B	SILVER PLATING	0.22g	AWG 22	2.11	2.4	0.45	0.6	A		
			0.35	2.11	2.4	0.45	0.6	A			
0-1393367-1	B	TIN PLATING	0.22g	AWG 22	2.11	2.4	0.45	0.6	A		
			0.35	2.11	2.4	0.45	0.6	A			
0-1393365-1	A	GOLD PLATING	0.22g	AWG 20	2.8	3.1	0.6	0.2	B		
				0.50	2.8	3.1	0.6	0.2	B		
0-1393365-2	A	GOLD PLATING	0.22g	AWG 18	2.8	3.1	0.6	0.2	B		
				0.75	2.8	3.1	0.6	0.2	B		
0-1393366-2	B	SILVER PLATING	0.22g	AWG 20	2.8	3.1	0.6	0.2	B		
				0.50	2.8	3.1	0.6	0.2	B		
				0.75	2.8	3.1	0.6	0.2	B		
0-1393366-1	B	TIN PLATING	0.22g	AWG 20	2.8	3.1	0.6	0.2	B		
				0.50	2.8	3.1	0.6	0.2	B		
				0.75	2.8	3.1	0.6	0.2	B		

THIS DRAWING IS A CONTROLLED DOCUMENT.

OWN: B. VAN SEBROECK
CHK: G. STEINBACH
APVD: G. MUMMER

DIMENSIONS: mm

TOLERANCES UNLESS OTHERWISE SPECIFIED:

1-7 PLC	±
1-2 PLC	±
3-4 PLC	±
4-5 PLC	±
ANGLES	±
FINISH	±

MATERIAL: -

APPLICATION SPEC: 114-13060

WEIGHT: SEE TABLE

Customer Drawing

TE Connectivity

GET FEMALE TERMINAL
GET BUCHSEN KONTAKT

SIZE: A1
CAGE CODE: 00779
DRAWING NO: 1393364

RESTRICTED TO: -

SCALE: 10:1 SHEET: 1 OF 1 REV: C