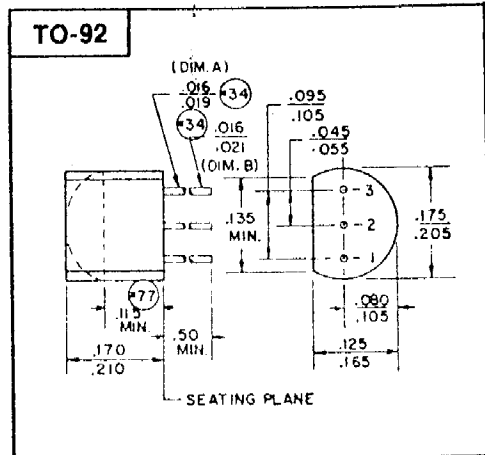


N-Channel JFETs

| Type No. | Case Style | BV <sub>GSS</sub> (V) @ I <sub>G</sub> |     | I <sub>GSS</sub> (nA) @ V <sub>DG</sub> |     | V <sub>p</sub> (V) @ V <sub>DS</sub> I <sub>D</sub> (nA) |     |     | I <sub>DSS</sub> (mA) @ V <sub>DS</sub> |      | R <sub>e</sub> Y <sub>fs</sub> (mmho) @ Freq |     | R <sub>e</sub> (Y <sub>os</sub> ) (μmho) @ f |      | C <sub>iss</sub> (pF) @ V <sub>DS</sub> V <sub>GS</sub> |     |       | C <sub>rss</sub> (pF) @ V <sub>DS</sub> V <sub>GS</sub> |     |       | NF (dB) @ R <sub>G</sub> = 1k Freq |     |       |      |     |
|----------|------------|--|-----|---|-----|--|-----|-----|---|------|--|-----|--|------|---|-----|-------|---|-----|-------|------------------------------------|-----|-------|------|-----|
|          |            | Min                                    | Max | Min                                     | Max | Min  | Max | (V) | Min                                     | Max  | Min  | Max | Min  | Max  | Max   | (V) | Max   | (V)   | Max | Max   | Max                                | Max | (MHz) |      |     |
| 2N3819   | TO-92      | 25                                     | 1   | 2                                       | 15  |  |     | 8   | 15                                      | 2    | 2  | 20  | 15   | 1.6  | 100   |     |       | 8   | 15  | 0     | -4                                 | 15  | 0     | 2.5  | 100 |
| 2N3823   | TO-72      | 30                                     | 1   | 0.5                                     | 20  |  |     | 8   | 15                                      | 0.5  | 4  | 20  | 15   | 3.2  | 200   |     |       | 6   | 15  | 0     | -2                                 | 15  | 0     | 5    | 200 |
| 2N4223   | TO-72      | 30                                     | 10  | 0.25                                    | 20  | 0.1  |     | 8   | 15                                      | 0.25 | 3  | 18  | 15   | 2.7  | 200   |     |       | 6   | 15  | 0     | -2                                 | 15  | 0     |      |     |
| 2N4224   | TO-72      | 30                                     | 10  | 0.5                                     | 20  | 0.1  |     | 8   | 15                                      | 0.5  | 2  | 20  | 15   | 1.7  | 200   |     |       | 6   | 15  | 0     | 2                                  | 15  | 0     |      |     |
| 2N4416   | TO-72      | 30                                     | 1   | 0.1                                     | 20  |  |     | 6   | 15                                      | 1    | 5  | 15  | 15   | 4    | 400   | 100 | 400   | 4   | 15  | 0     | 0.8                                | 15  | 0     | 4    | 400 |
| 2N4416A  | TO-72      | 35                                     | 1   | 0.1                                     | 20  | 2.5  |     | 6   | 15                                      | 1    | 5  | 15  | 15   | 4    | 400   | 100 | 400   | 4   | 15  | 0     | 0.8                                | 15  | 0     | 4    | 400 |
| 2N5078   | TO-72      | 30                                     | 1   | 0.25                                    | 20  | 0.5  |     | 8   | 15                                      |      | 4  | 25  | 15   | 4    | 200   | 150 | 200   | 6   | 15  | 0     | 2                                  | 15  | 0     | 3    | 200 |
| 2N5245   | TO-92      | 30                                     | 1   | 1                                       | 20  | 1  |     | 6   | 15                                      | 10   | 5  | 15  | 15   | 4    | 400   | 100 | 400   | 4.5   | 15  | 0     | 1                                  | 15  | 0     | 4    | 400 |
| 2N5246   | TO-92      | 30                                     | 1   | 1                                       | 20  | 0.5  |     | 4   | 15                                      | 10   | 1.5  | 7   | 15   | 2.5  | 400   | 100 | 400   | 4.5   | 15  | 0     | 1                                  | 15  | 0     |      |     |
| 2N5247   | TO-92      | 30                                     | 1   | 1                                       | 20  | 1.5  |     | 8   | 15                                      | 10   | 8  | 24  | 15   | 4    | 400   | 150 | 400   | 4.5   | 15  | 0     | 1                                  | 15  | 0     |      |     |
| 2N5248   | TO-92      | 30                                     | 1   | 5                                       | 20  | 1  |     | 8   | 15                                      | 10   | 4  | 20  | 15   | 3    | 200   | 200 | 200   | 6   | 15  | 0     | 2                                  | 15  | 0     |      |     |
| 2N5397   | TO-72      | 25                                     | 1   | 0.1                                     | 15  | 1  |     | 6   | 10                                      | 1    | 10   | 30  | 10   | 5.5  | 450   | 200 | 450   | 5   | 10  | 10 mA | 1.2                                | 10  | 10 mA | 3.5  | 450 |
| 2N5398   | TO-72      | 25                                     | 1   | 0.1                                     | 15  | 1  |     | 6   | 10                                      | 1    | 5  | 40  | 10   | 5.0  | 450   | 400 | 450   | 5.5   | 10  | 0     | 1.3                                | 10  | 0     | 3.2  | 450 |
| 2N5484   | TO-92      | 25                                     | 1   | 1                                       | 20  | 0.3  |     | 3   | 15                                      | 10   | 1  | 5   | 15   | 2.5  | 100   | 75  | 100   | 5   | 15  | 0     | 1                                  | 15  | 0     | 3    | 100 |
| 2N5485   | TO-92      | 25                                     | 1   | 1                                       | 20  | 1  |     | 4   | 15                                      | 10   | 4  | 10  | 15   | 3    | 400   | 100 | 400   | 5   | 15  | 0     | 1                                  | 15  | 0     | 4    | 400 |
| 2N5486   | TO-92      | 25                                     | 1   | 1                                       | 20  | 2  |     | 6   | 15                                      | 10   | 8  | 20  | 15   | 3.5  | 400   | 100 | 400   | 5   | 15  | 0     | 1                                  | 15  | 0     | 4    | 400 |
| 2N5668   | TO-92      | 25                                     | 10  | 2                                       | 15  | 0.2  |     | 4   | 14                                      | 10   | 1  | 5   | 15   | 1    | 100   | 50  | 100   | 7   | 15  | 0     | 3                                  | 15  | 0     | 2.5  | 100 |
| 2N5669   | TO-92      | 25                                     | 10  | 2                                       | 15  | 1  |     | 6   | 15                                      | 10   | 4  | 10  | 15   | 1.6  | 100   | 100 | 100   | 7   | 15  | 0     | 3                                  | 15  | 0     | 2.5  | 100 |
| 2N5670   | TO-92      | 25                                     | 10  | 2                                       | 15  | 2  |     | 8   | 15                                      | 10   | 8  | 20  | 15   | 2.5  | 100   | 150 | 100   | 7   | 15  | 0     | 3                                  | 15  | 0     | 2.5  | 100 |
| 2N5949   | TO-92      | 300                                    | 1   | 1                                       | 15  | 3  |     | 7   | 15                                      | 100  | 12   | 18  | 15   | 3.0  | 100   | 75  | 100   | 6   | 15  | 0     | 2                                  | 15  | 0     | 5    | 100 |
| 2N5950   | TO-92      | 30                                     | 1   | 1                                       | 15  | 2.5  |     | 6   | 15                                      | 100  | 10   | 15  | 15   | 3.0  | 100   | 75  | 100   | 6   | 15  | 0     | 2                                  | 15  | 0     | 5    | 100 |
| 2N5951   | TO-92      | 30                                     | 1   | 1                                       | 15  | 2  |     | 5   | 15                                      | 100  | 7  | 13  | 15   | 3.0  | 100   | 75  | 100   | 6   | 15  | 0     | 2                                  | 15  | 0     | 5    | 100 |
| 2N5952   | TO-92      | 30                                     | 1   | 1                                       | 15  | 1.3  |     | 3.5 | 15                                      | 100  | 4  | 8   | 15   | 1.0  | 100   | 75  | 100   | 6   | 15  | 0     | 2                                  | 15  | 0     | 5    | 100 |
| 2N5953   | TO-92      | 30                                     | 1   | 1                                       | 15  | 0.8  |     | 3   | 15                                      | 100  | 2.5  | 5   | 15   | 1.0  | 100   | 50  | 100   | 6   | 15  | 0     | 2                                  | 15  | 0     | 5    | 100 |
| J300     | TO-92      | 25                                     | 1   | 0.5                                     | 15  | 1  |     | 6   | 10                                      | 1    | 6  | 30  | 10   | 4.5  | 0.001   | 200 | 0.001 | 5.5   | 10  | 5 mA  | 1.7                                | 10  | 5 mA  | 12   | 100 |
| J304     | TO-92      | 30                                     | 1   | 0.1                                     | 20  | 2  |     | 6   | 15                                      | 1    | 5  | 15  | 15   | 14.2 | 400   | 180 | 100   | 13  | 15  | 0     | 1.8                                | 15  | 0     | 14   | 400 |
| J305     | TO-92      | 30                                     | 1   | 0.1                                     | 20  | 0.5  |     | 3   | 15                                      | 1    | 1  | 8   | 15   | 13.0 | 400   | 180 | 100   | 13  | 15  | 0     | 1.8                                | 15  | 0     | 14   | 400 |
| J308     | TO-92      | 25                                     | 1   | 1                                       | 15  | 1  |     | 6.5 | 10                                      | 1    | 12   | 60  | 10   | 8    | 0.001   | 200 | 0.001 | 7.5   | 0   | -10   | 2.5                                | 0   | -10   | 11.5 | 100 |
| J309     | TO-92      | 25                                     | 1   | 1                                       | 15  | 1  |     | 4.0 | 10                                      | 1    | 12   | 30  | 10   | 10   | 0.001   | 200 | 0.001 | 7.5   | 0   | -10   | 2.5                                | 0   | -10   | 11.5 | 100 |
| J310     | TO-92      | 25                                     | 1   | 1                                       | 15  | 2  |     | 6.5 | 10                                      | 1    | 24   | 60  | 10   | 8    | 0.001   | 200 | 0.001 | 7.5   | 0   | -10   | 2.5                                | 0   | -10   | 11.5 | 100 |



Quality Semi-Conductors