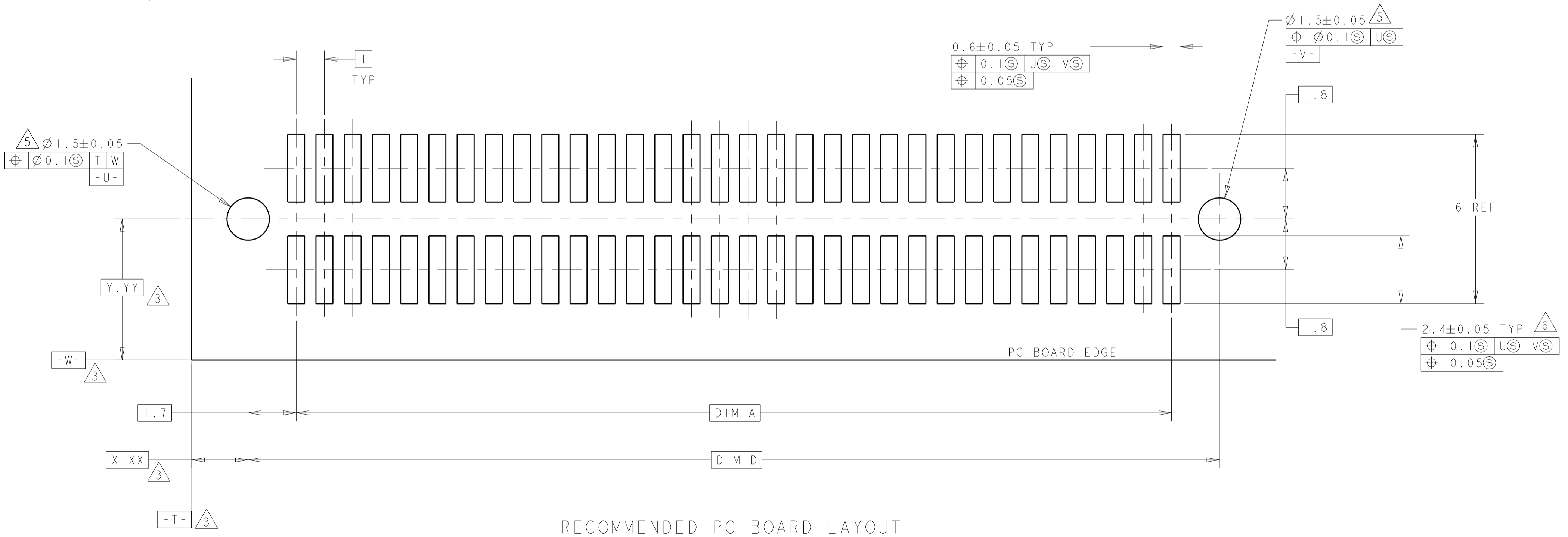
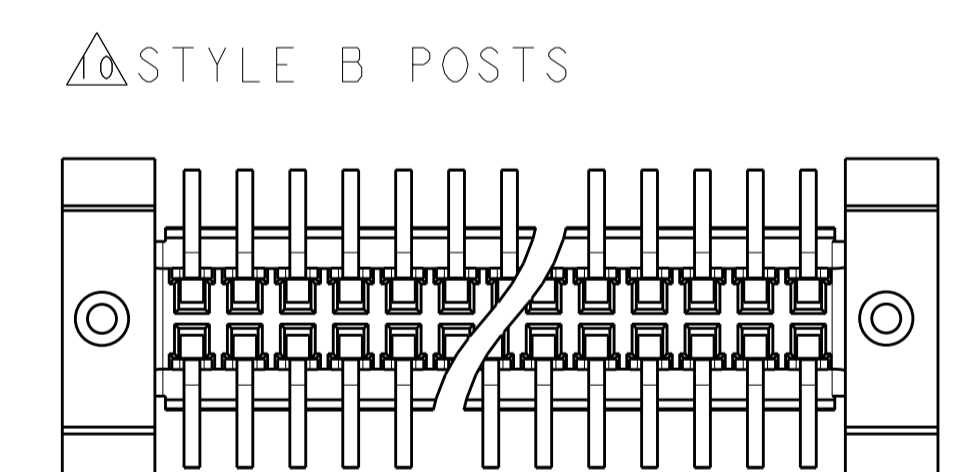
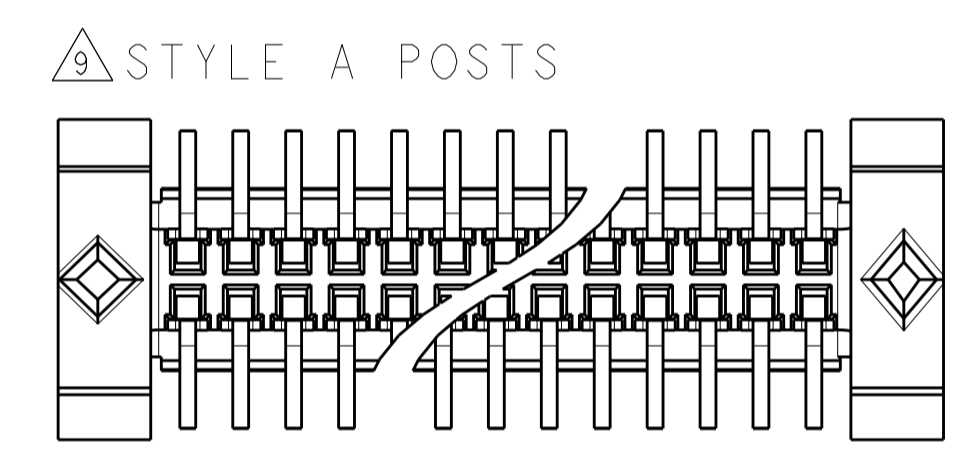
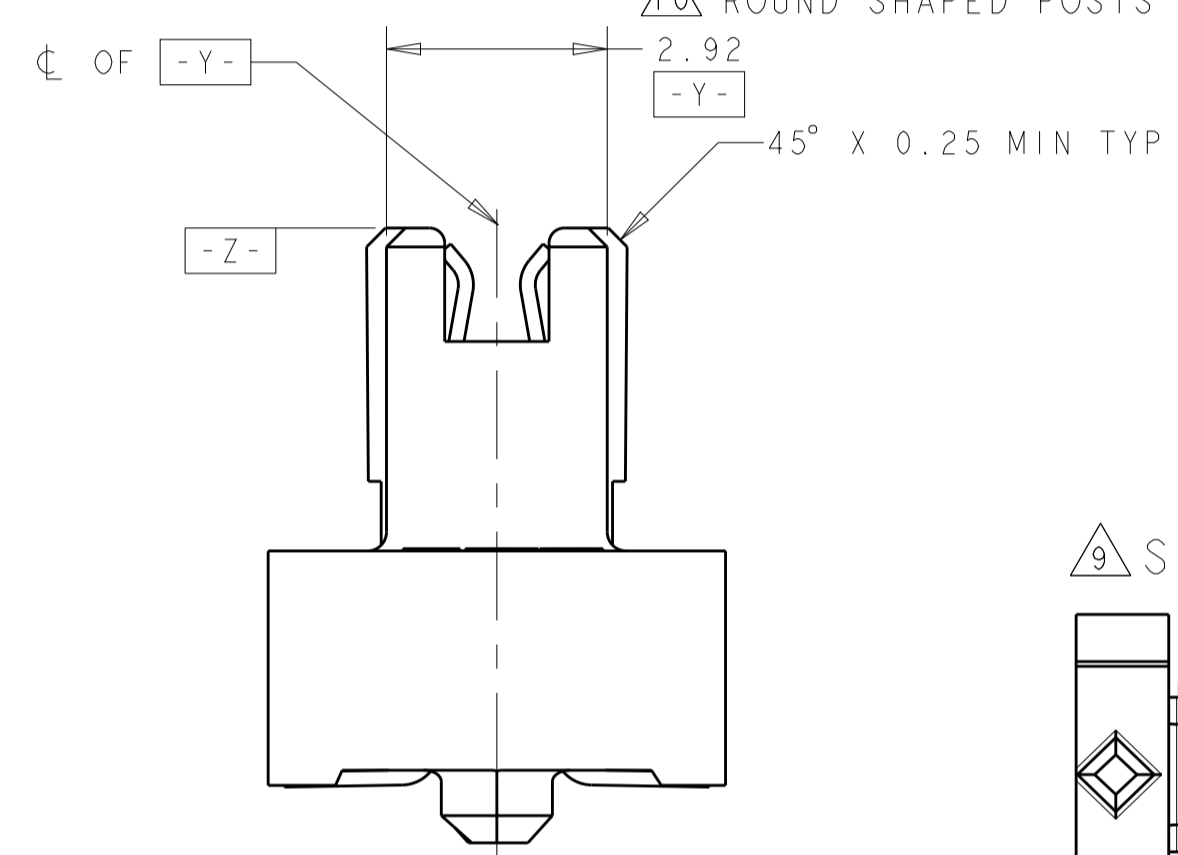
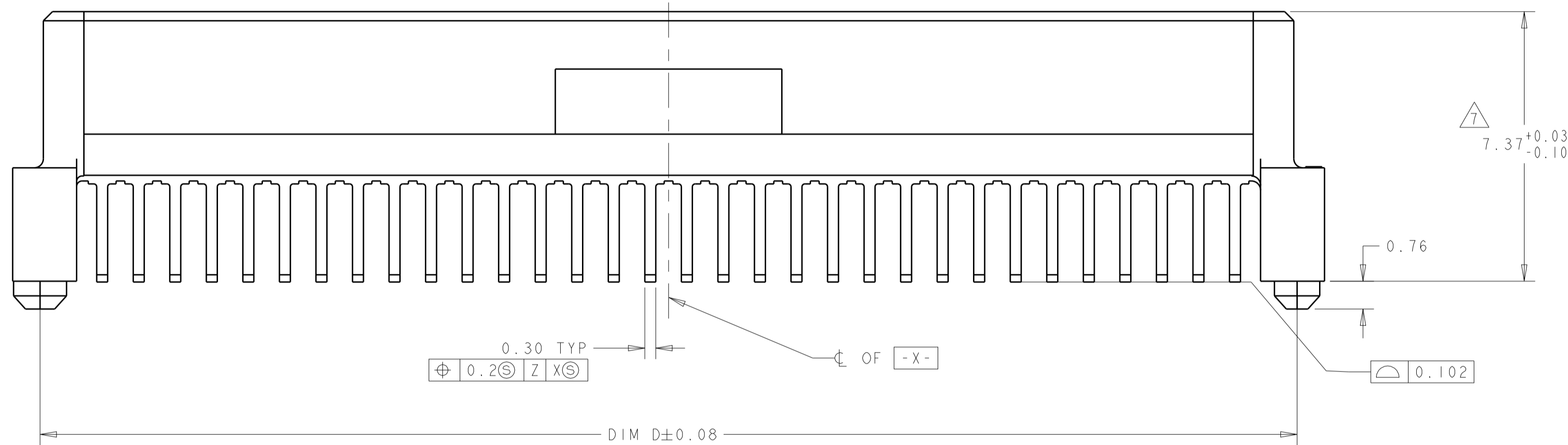
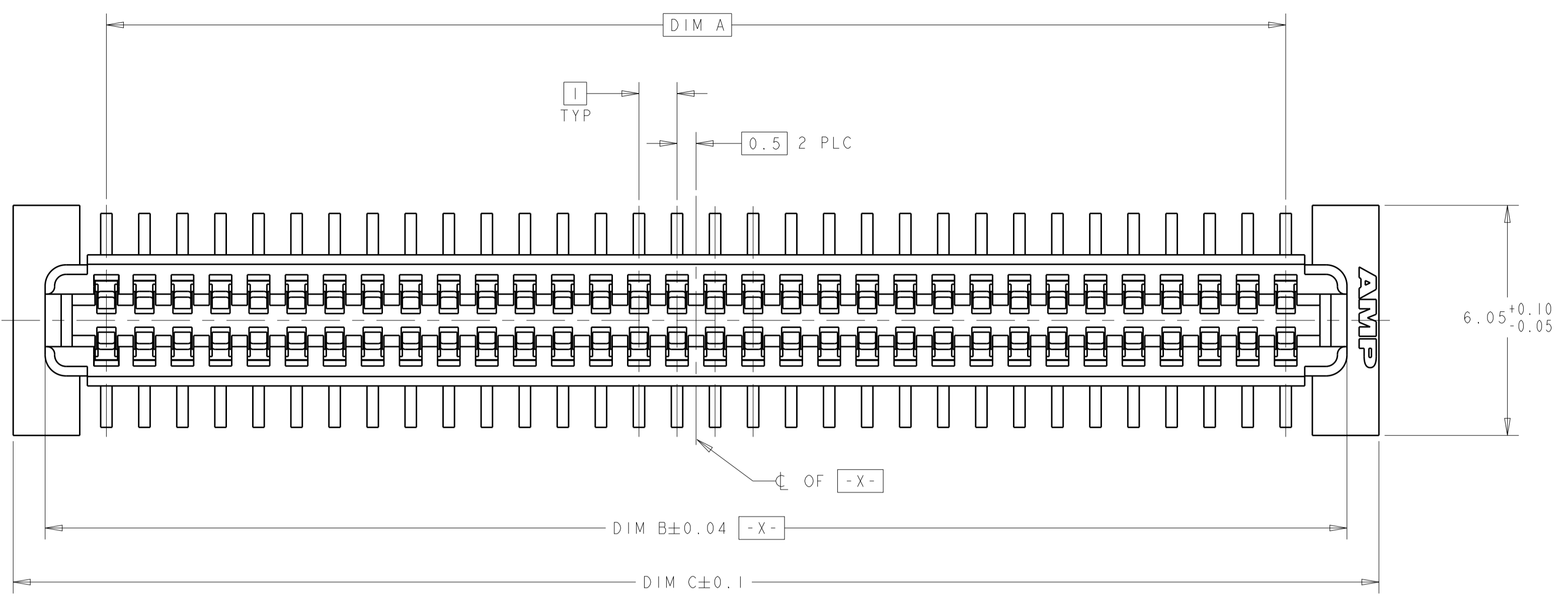


REVISIONS				
P.	LTN.	DESCRIPTION	DATE	OWN. APVD.
A2		REVISED PER ECR-15-007309	12MAY2015	J. T. W. H.



1. HOUSING MATERIAL: HIGH TEMPERATURE THERMOPLASTIC. COLOR; BLACK. CONTACT MATERIAL: PHOSPHOR BRONZE.
2. CONTACT FINISH: NICKEL UNDERPLATE ALL OVER, MATING SURFACES PLATED TO MEET PLI PERFORMANCE REQUIREMENTS OF INDUSTRY SPECIFICATION EIA-700AAAB, SOLDER TAILS PLATED TIN.
3. DATUM LOCATIONS AND BASIC DIMENSIONS TO BE ESTABLISHED BY THE CUSTOMER. CONSULT AMP ENGINEERING WHEN PLACING MULTIPLE CONNECTORS ON A PC BOARD.
4. PACKAGED IN TAPE ON REEL PER EIA-481.
5. 1.5 MIN DIAMETER HOLE SHOULD BE USED IF USING POST STYLE "A" AND PLACING ON PCB WITH VACUUM PLACEMENT EQUIPMENT.
6. SHORTER SOLDER LANDS MAY BE USED PER EIA 700AAAB, HOWEVER 2.4 LENGTH ASSURES OPTIMUM SOLDER FILLET REGARDLESS OF MANUFACTURER OF CONNECTOR.
7. REFERRED TO AS DIM H = 7.3±0.1 IN EIA 700AAAB SPECIFICATION.
8. CONTACT FINISH: 0.00381 MINIMUM MATTE TIN PER ASTM B 545 ON SOLDER AREA, 0.00127 MINIMUM GOLD PER ASTM B 488 ON MATING AREA, BOTH OVER 0.00127 MINIMUM NICKEL PER SAE-AMS-QQ-N-290 ON ENTIRE CONTACT.
9. SQUARE AND DIAMOND SHAPED POSTS
10. ROUND SHAPED POSTS

POST STYLE	FINISH	DIM D	DIM C	DIM B	DIM A	STACK HGTS	POS	PART NO
10	8	44.4	45.9	44.22	41	11,12	84	3-5120603-2
10	8	34.4	35.9	34.22	31	11,12	64	3-5120603-1
10	2	44.4	45.9	44.22	41	11,12	84	2-5120603-2
10	2	34.4	35.9	34.22	31	11,12	64	2-5120603-1
9	8	44.4	45.9	44.22	41	11,12	84	1-5120603-2
9	8	34.4	35.9	34.22	31	11,12	64	1-5120603-1
9	2	44.4	45.9	44.22	41	11,12	84	5120603-2
9	2	34.4	35.9	34.22	31	11,12	64	5120603-1

THIS DRAWING IS A CONTROLLED DOCUMENT.

OWN: B. CARBO 30SEP04
CHK: R. WERTZ 30SEP04
APVD: R. WERTZ 30SEP04

DIMENSIONS: mm
TOLERANCES UNLESS OTHERWISE SPECIFIED:
0 PLC ±
1 PLC ±0.03
2 PLC ±0.03
3 PLC ±0.03
4 PLC ±
ANGLES ±0°-1'

MATERIAL: TBA
FINISH: SEE TABLE

PRODUCT SPEC: 502-1079
APPLICATION SPEC: 114-25045
WEIGHT: -
CUSTOMER DRAWING

NAME: -
RECEPTACLE ASSY, 1.0mm FH(IEEE1386) CONNECTOR

SIZE: A1
CAGE CODE: -
DRAWING NO: C=5120603

RESTRICTED TO: -
SCALE: 10:1
SHEET: 1 OF 1
REV: A2

TE Connectivity