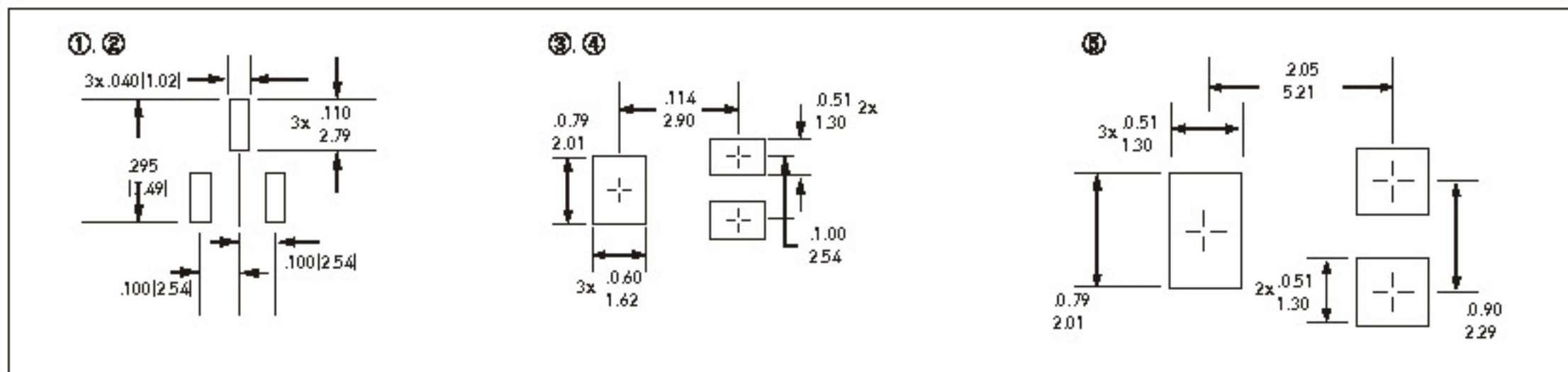


■ MULTI TURNS/SURFACE MOUNT

Model	44	45	84
Size[Note A]	.157"(4mm)	.157"(4mm)	1/4"(6.35mm)
Electrical Travel	9 Turns	15 Turns	12 Turns
Resistance Range	10-2M Ω	10-2M Ω	10-2M Ω
Tolerance	$\pm 10\%$ ($<100\Omega = \pm 20\%$)	$\pm 10\%$ ($<100\Omega = \pm 20\%$)	$\pm 10\%$
TCR (ppm/ $^{\circ}C$)	± 100 1% ($<100\Omega = 1\%$)	± 100 1% ($<100\Omega = 1\%$)	± 100 1% ($<100\Omega = 1\%$)
Contact Resistance Variance Max.	1%	1%	1% ($<100\Omega = \pm 1\Omega$)
Seal	85 $^{\circ}C$ Fluorinert	85 $^{\circ}C$ Fluorinert	85 $^{\circ}C$ Fluorinert
Adjustment style			
Top	44W ①	44W ③	84W ①
Side, Edge Mount	44J ④ 44G ⑤	44J ④ 44G ⑤	84X ①
Side, Flat Mount			84P ②
Packing Options			
Bulk	N/A	N/A	N/A
Tubes	G, J, W	G, J, W	Standard
Tape & Reel	Standard	Standard	P, W, X
Ammo Pack	N/A	N/A	N/A

■ PC BOARD PATTERNS/SURFACE MOUNT/inch(mm)



■ ORDERING PROCEDURE EXAMPLE

