

POS



POS-6510

The Fanless Highly Integrated & Performance 15" POS Terminal

Features and Benefits:

- Intel® Atom™ Pineview D525 CPU
- Fanless design
- Optional Vertical MSR /i-Button /ISO 14443A RFID module /fingerprint module
- Back VFD support



Protech Systems Co., Ltd.

No. 24, Lane 365, Yang Goang Street, Nei Hu District Taipei 114, Taiwan
TEL: +886-2-8751-1111 FAX: +886-2-8751-1199
E-mail: sales@protech.com.tw
<http://www.protech.com.tw>

Protech Technologies Inc.

950 Fee Ana St, Suite B Placentia, CA 92870
TEL: +1-714- 996-7200 FAX: +1-714- 996-7300
Sales: sales@protech-usa.net
<http://www.protech-usa.net>

Protech Japan Co., Ltd.

OSK Bldg, 6F, 6-25-14, Minami-ohi Shinagawa-ku, Tokyo, 140-0013
TEL: +81-3-5753-8411 FAX: +81-3-3763-9282
E-mail: sam@protech-j.com
<http://www.protech-j.com>

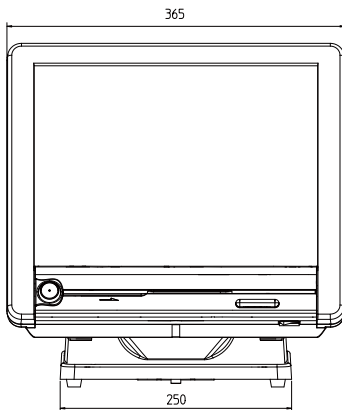


ISO CERTIFIED
9001 14001

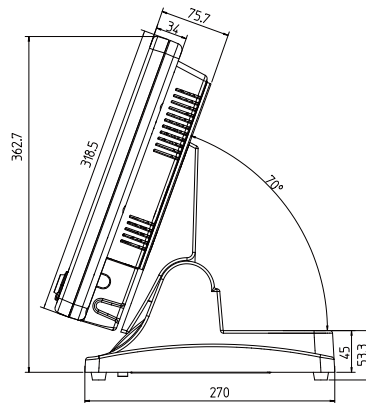
POS-6510

The Fanless Highly Integrated & Performance
15" POS Terminal

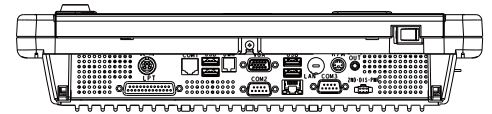
Front View



Side View



I/O View



Unit: mm

Specification

System	
CPU Support	Intel® Atom™ D525 CPU
Memory	1 x DDR3 SO-DIMM Slot, 1GB (up to 4GB)
Core Logic	Intel® ICH8M
Network	10/100/1000 Base-T Fast Ethernet
Power Supply	72Watt ~ 120Watt power adaptor
System Weight	11 kg
Dimension (W x H x D)	365 x 363 x 303 mm (14.37" x 14.29" x 11.92")
O.S. Support	POSReady2009 /POSReady7 /WES2009 /WES7

Storage

HDD	1 x 2.5" SATA HDD
SD/MMC	1 x SATA half-slim type SSD
CF	Bootable Compact Flash slot for CF type I/II storages

I/O Ports

USB	4 x USB 2.0 ports / 1 x USB 2.0 on side bezel
Serial Ports	2 x DB-9 (COM 1/2), 1 x RJ45 (COM 3), +5V/12V selectable
PS/2	1 x PS/2 ports (default at keyboard)
LAN	1 x RJ-45
VGA	1 x DB-15 VGA interface
Cash Drawer	1 x RJ11 (+12V or +24V selectable)(default at +12V)
DC in	Link from Power adaptor

Display

LCD	15" TFT LCD
Max. Resolution	1024 x 768
Brightness	250 cd/m ²
Touch Screen	5-wire Analog resistive
Tilt Angle	40 ~ 65 degrees

Environment

EMC & Safety	CE / FCC
Operating Temp.	0 ~ 35° C
Storage Temp.	-20 ~ 60° C
Humidity	20 ~ 90%

Ordering Information

PA-6055RA-A0B	POS-6510 barebone, Black, ELO resistive touchscreen & 120W power adaptor
PA-6055RZ-25A	DDR3 2GB Memory /2.5" HDD
PA-6055RZ-35B	PS2 MSR(ID tech)
PA-6055RZ-61A	Embedded wireless module (802.11b/g)
PA-6055RZ-62B	Vertical RFID module, ISO14443A (USB interface)
PA-6055RZ-72B	Rear-mount VFD kit
PA-6052RZ-7BB	Vertical Fingerprint(USB) module
PA-6052RZ-7GB	8.4" 2nd Display
OS	POSReady2009 /POSReady7 /WES7

All of trademarks and brand names are the property of their owners. Trademark "Protech" is the property of Protech Systems Co., Ltd. All information contained in this document is subject to change without any prior notice. This catalog is copyrighted in May 2012.