

MDE Semiconductor, Inc.

78-150 Calle Tampico, Unit 210, La Quinta, CA., USA 92253 Tel: 760-564-8656 • Fax: 760-564-2414
1-800-831-4881 Email: sales@mdesemiconductor.com Web: www.mdesemiconductor.com

Metal Oxide Varistors

High Energy S Series 34mm Disc

PART NUMBER	Varistor Voltage V@1mA (v)	Maximum Allowable Voltage		Max Clamping Voltage (8/20 μ S)		Max. Energy (J)	Max Peak Current (8/20 μ S)		Typical Capacitance (Reference) 1kHz (pF)	Dimensions	
		ACrms (v)	DC (v)	Vc (v)	Ip (A)		1 time (A)	2 times (A)		T max (mm)	L \pm 0.10 (mm)
MDE-34S201K	200 (185-225)	130	175	340	300	310	40000	30000	10000	6.80	4.90
MDE-34S221K	220 (198-242)	140	180	360	300	330	40000	30000	9000	6.80	4.90
MDE-34S241K	240 (216-264)	150	200	395	300	360	40000	30000	8000	7.00	5.10
MDE-34S271K	270 (243-297)	175	225	455	300	390	40000	30000	7100	7.10	5.20
MDE-34S301K	300 (270-330)	195	250	500	300	405	40000	30000	6000	7.30	5.40
MDE-34S331K	330 (297-363)	210	275	545	300	430	40000	30000	4800	7.50	5.60
MDE-34S361K	360 (324-396)	230	300	595	300	460	40000	30000	5600	7.70	5.80
MDE-34S391K	390 (351-429)	250	330	650	300	490	40000	30000	5000	7.90	6.00
MDE-34S431K	430 (387-473)	275	370	710	300	550	40000	30000	4500	8.10	6.20
MDE-34S471K	470 (423-517)	300	385	775	300	600	40000	30000	4000	8.40	6.50
MDE-34S511K	510 (459-561)	320	420	845	300	640	40000	30000	3800	8.70	6.80
MDE-34S561K	560 (504-616)	360	470	925	300	710	40000	30000	3600	9.00	7.10
MDE-34S621K	620 (558-682)	390	505	1025	300	800	40000	30000	3300	9.40	7.50
MDE-34S681K	680 (612-748)	420	560	1120	300	910	40000	30000	3000	9.80	7.90
MDE-34S751K	750 (675-825)	460	615	1240	300	920	40000	30000	2800	10.00	8.00
MDE-34S781K	780 (702-858)	485	640	1290	300	930	40000	30000	2700	10.20	8.30
MDE-34S821K	820 (738-902)	510	675	1355	300	940	40000	30000	2500	10.70	8.80
MDE-34S911K	910 (819-1001)	550	745	1500	300	960	40000	30000	1800	10.90	9.00
MDE-34S951K	950 (855-1045)	575	765	1570	300	1000	40000	30000	1700	11.20	9.30
MDE-34S102K	1000 (900-1100)	625	825	1650	300	1050	40000	30000	1600	11.70	9.80
MDE-34S112K	1100 (990-1210)	680	895	1815	300	1150	40000	30000	1550	12.80	10.90
MDE-34S122K	1200 (1080-1320)	750	980	1980	300	1200	40000	30000	1500	13.80	11.90
MDE-34S162K	1600 (1414-1728)	1000	1200	2700	300	1600	40000	30000	1400	14.00	12.50
MDE-34S182K	1800 (1620-1980)	1100	1400	3250	300	1800	40000	30000	1300	14.90	13.00

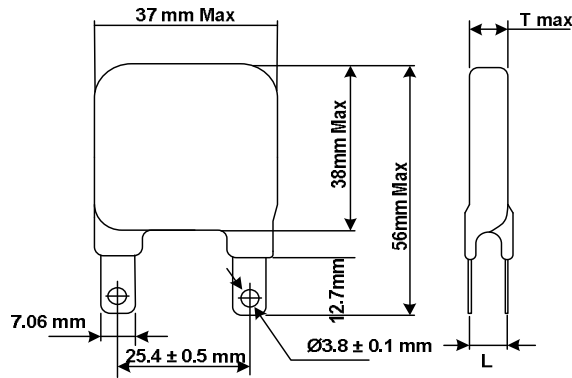
MDE Semiconductor, Inc.

78-150 Calle Tampico, Unit 210, La Quinta, CA., USA 92253 Tel: 760-564-8656 • Fax: 760-564-2414
1-800-831-4881 Email: sales@mdesemiconductor.com Web: www.mdesemiconductor.com

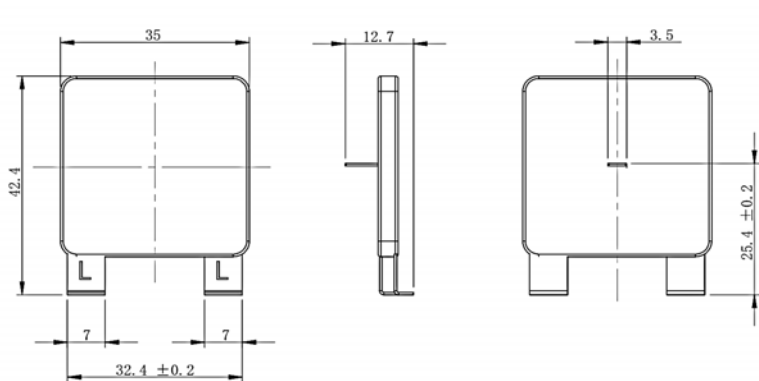
Metal Oxide Varistors

High Energy S Series 34mm Disc

Option 1



Option 2



Option 3

