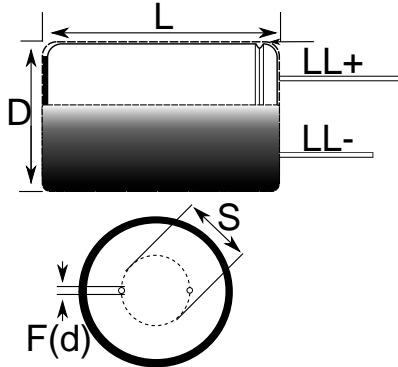


Aluminum Electrolytic, 105C LowZ, EST, 150 uF, 20%, 50 V, -40/+105C, Lead Spacing = 3.5mm



Note: '()' correspond to the letters used in the product bulletin

| Dimensions | |
|-------------|----------------|
| D | 8mm +/-0.5mm |
| L | 20mm +2mm |
| S | 3.5mm +/-0.5mm |
| LL Negative | 15mm MIN |
| LL Positive | 20mm MIN |
| F | 0.6mm NOM |

| Packaging Specifications | |
|--------------------------|-----------|
| Packaging: | Bulk, Bag |
| Packaging Quantity: | 4000 |

| General Information | |
|---------------------|---|
| Dielectric: | Aluminum Electrolytic |
| Series: | EST |
| Description: | LowZ, Long Life, Single Ended Aluminum Electrolytic |
| Features: | Low Z, Long Life, Low Impedance |
| RoHS: | Yes |
| Lead: | Wire Leads |

| Specifications | |
|--------------------------|-------------------------|
| Capacitance: | 150 uF |
| Capacitance Tolerance: | 20% |
| Voltage DC: | 50 VDC, 63 VDC (Surge) |
| Temperature Range: | -40/+105C |
| Rated Temperature: | 105C |
| Life: | 7000 Hrs |
| Dissipation Factor: | 14% |
| Resistance: | 0.33 Ohms (100kHz 20C) |
| Current: | 910 mAmps (100kHz 105C) |
| Leakage Current: | 75 uA (2min 20C) |
| Impedance Ratio at -25C: | 2 |
| Impedance Ratio at -40C: | 3 |