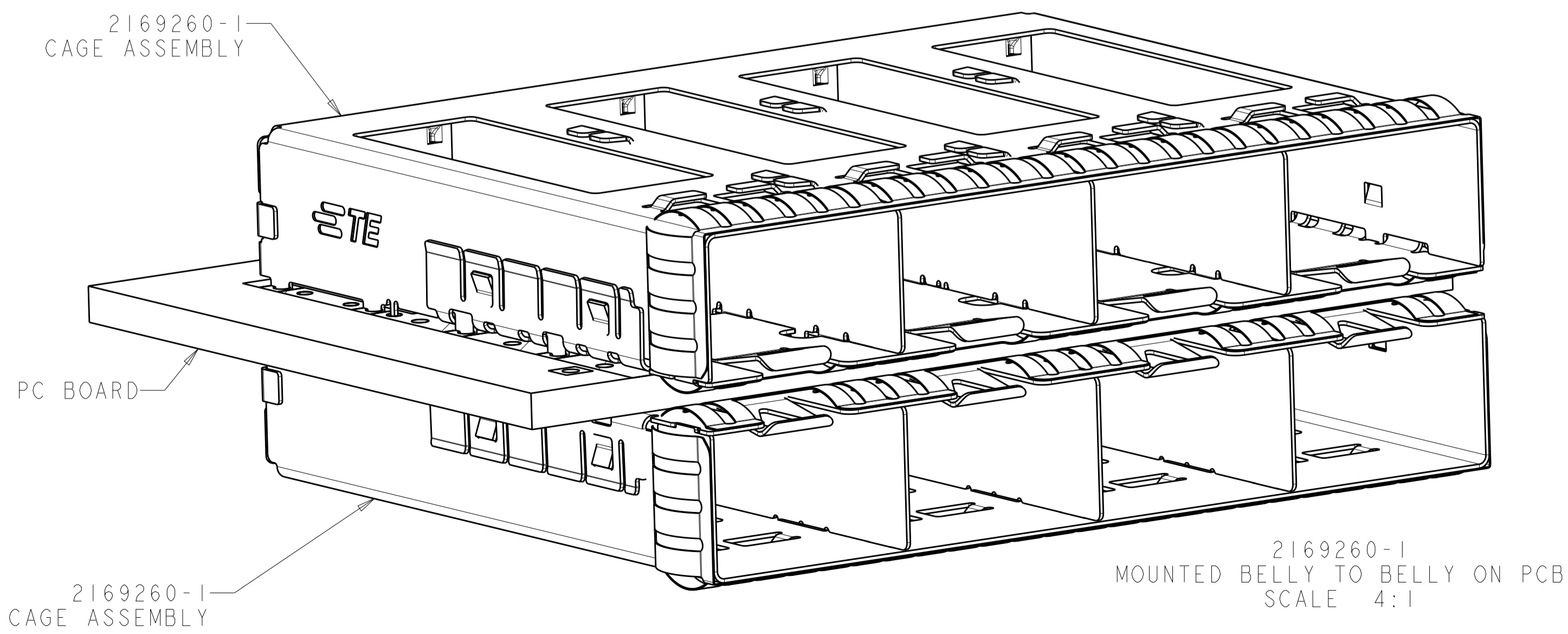
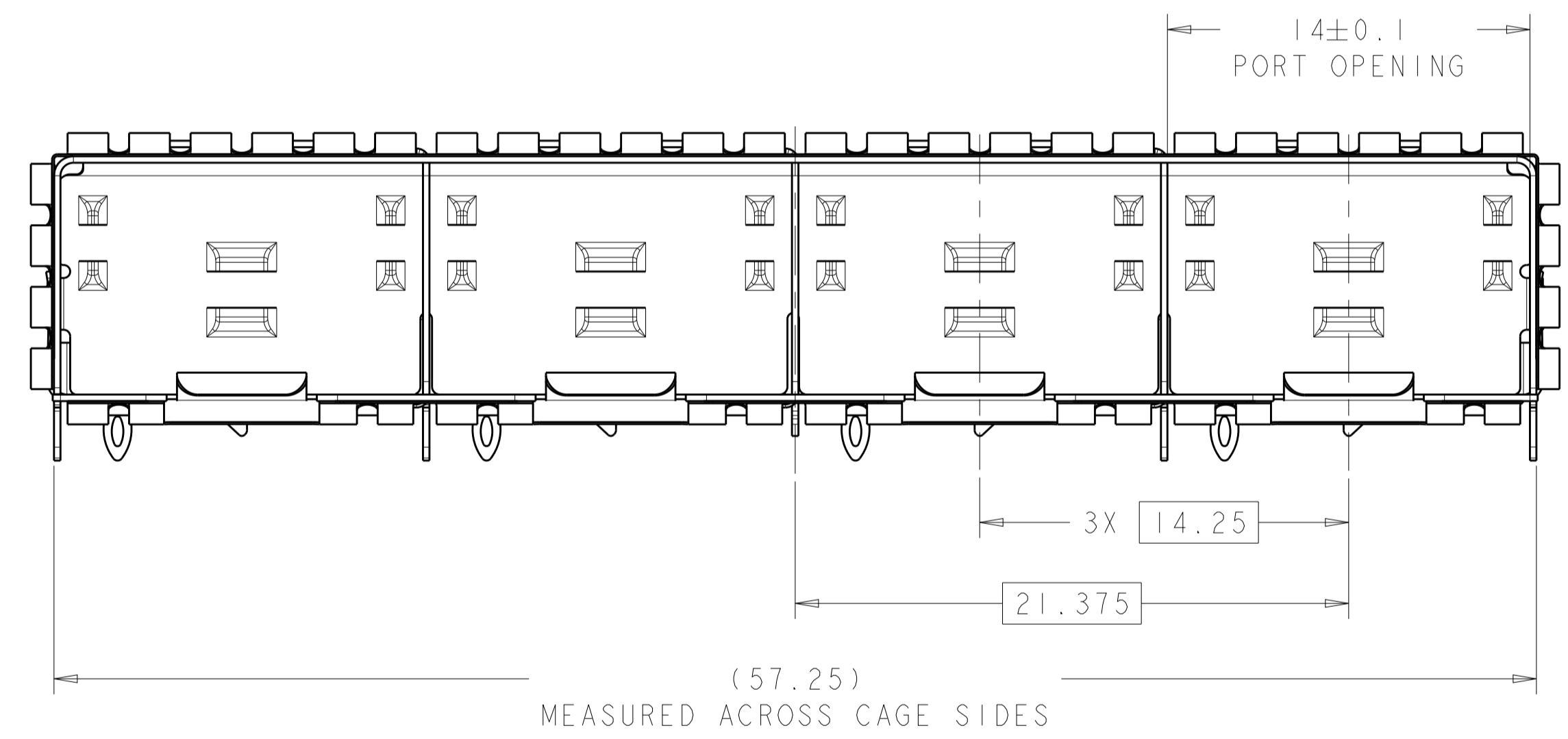
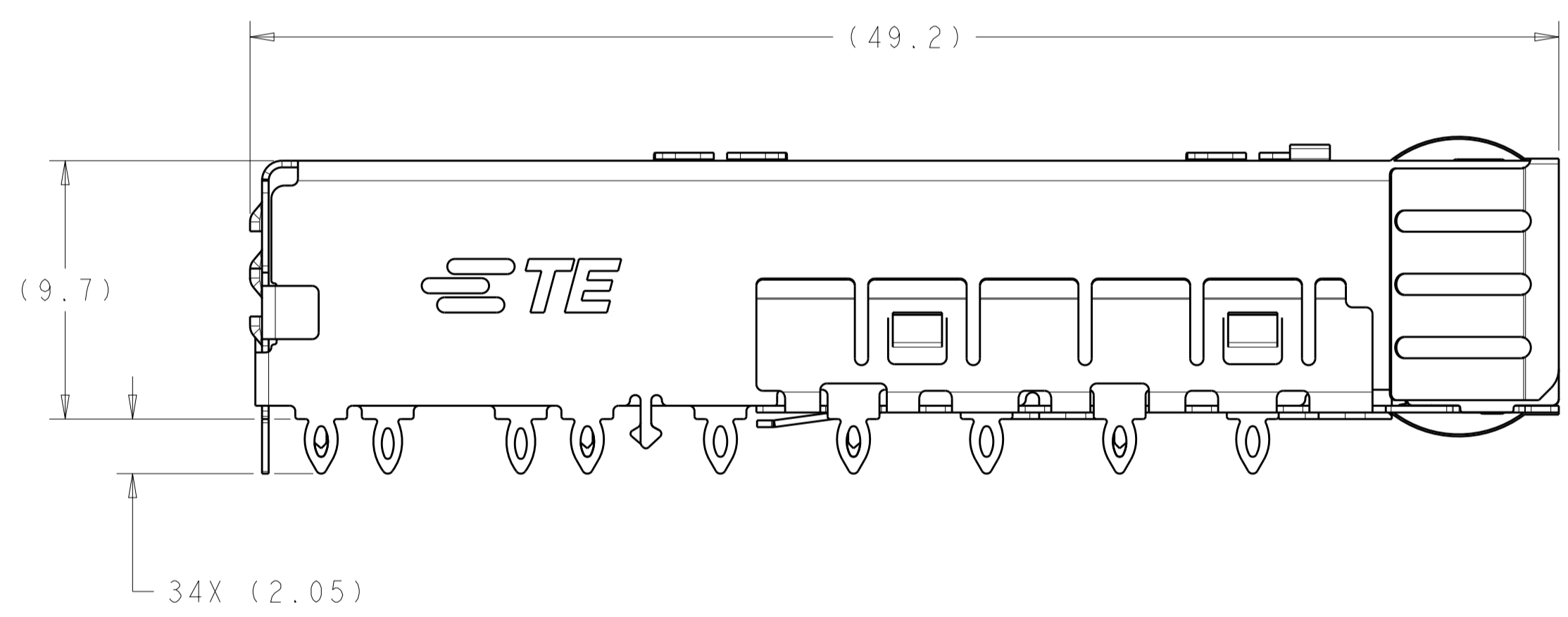
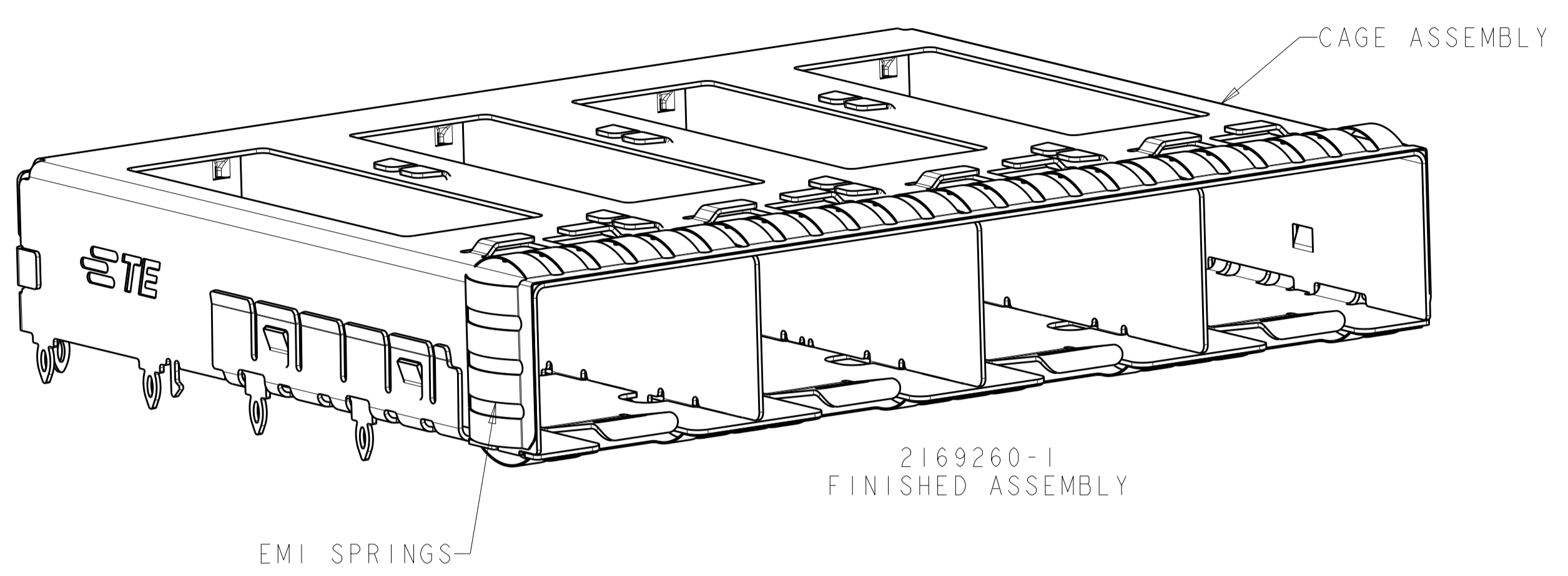


LOC		DIST		REVISIONS			
GP	00	P	LTN	DESCRIPTION	DATE	DWN	APVD
		A		RELEASED PER ECO-12-013192	10OCT2012	BMM	MRS

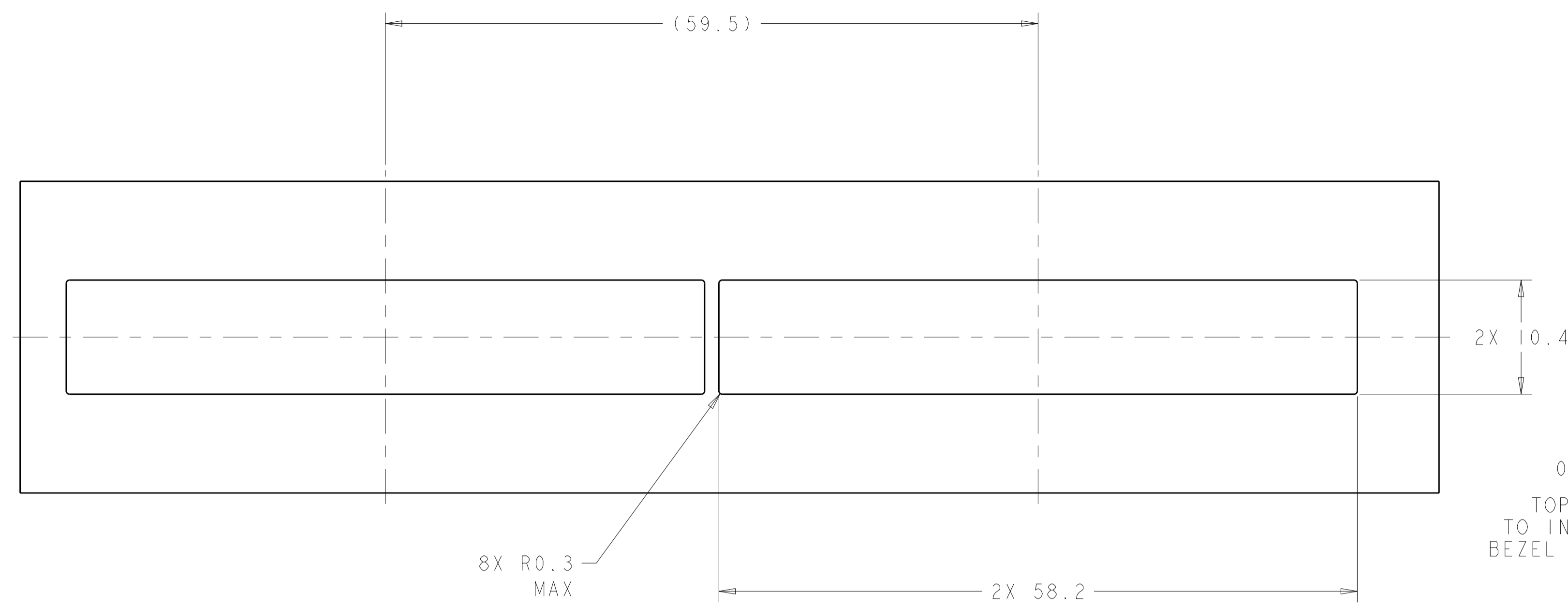
- 1. MATERIAL: CAGE ASSEMBLY: 0.25mm THICK NICKEL SILVER ALLOY.
EMI SPRINGS: COPPER ALLOY
- 2. FINISH
SPRINGS: MINIMUM OF 0.8um MATTE TIN PLATED OVER A MINIMUM OF 0.8um NICKEL UNDERPLATE.
NON-PLATED EDGES PERMISSIBLE.
- 3. PADS AND VIAS CHASSIS GROUND.
- 4. DATUM AND BASIC DIMENSION ESTABLISHED BY CUSTOMER.
- 5. MATES WITH SFP MSA COMPLIANT TRANSCEIVERS.
- 6. INTERPRETATION OF DATUM REFERENCE FRAME IN ACCORDANCE WITH SECT 4.4.1.1 OF ASME Y14.5M-1994.
- 7. REFERENCE APPLICATION SPEC. 114-13120, HOLE A, FOR RECOMMENDED DRILL HOLE DIAMETER AND PLATING THICKNESS.
- 8. REFERENCE APPLICATION SPEC. 114-13120, HOLE B, FOR RECOMMENDED DRILL HOLE DIAMETER AND PLATING THICKNESS.
- 9. HOLE PATTERN REPEATS FOR EACH PORT. SPACING BETWEEN PORTS IS 14.25mm.
- 10. MINIMUM PCB THICKNESS:
SINGLE SIDED = 1.50
DOUBLE SIDED = 2.25
- 11. CERTAIN MATING TRANSCEIVERS MAY REQUIRE ADDITIONAL PCB THICKNESS THAT WOULD NEED TO BE DETERMINED BY THE CUSTOMER.
- 12. PRODUCT COMPLIES WITH WITH SPECIFICATION SFF-8433 IMPROVED PLUGGABLE FORM FACTOR FOR SFP+ GANGED CAGES.



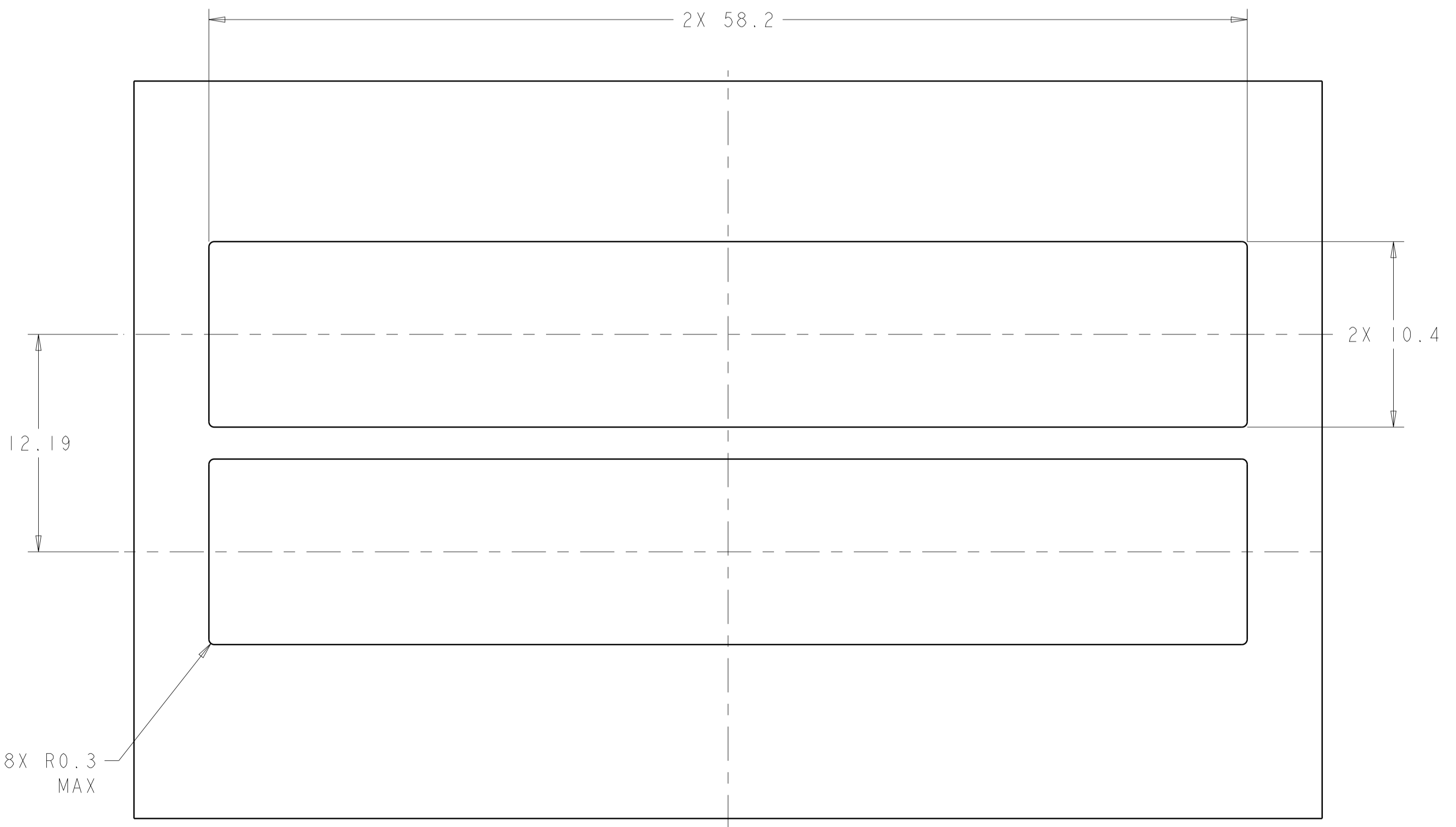
2169260-1
PART NUMBER

THIS DRAWING IS A CONTROLLED DOCUMENT.		DWN B. MATTHEWS 10DEC2010	10DEC2010	STE TE Connectivity
DIMENSIONS:		CHK M. SCHMITT 10DEC2010	10DEC2010	
TOLERANCES UNLESS OTHERWISE SPECIFIED:		APVD M. SCHMITT 10DEC2010	10DEC2010	NAME SFP+ ENHANCED 1X4 CAGE ASSEMBLY PRESS FIT, EXTERNAL EMI SPRINGS
mm		PRODUCT SPEC	108-2364	
0 PLC	±0.1	APPLICATION SPEC	114-13120	SIZE A100779C=2169260
1 PLC	±0.1	WEIGHT	-	RESTRICTED TO
2 PLC	±0.1	Customer Drawing	SCALE 5:1	SHEET 1 OF 4
3 PLC	±0.1			REV A
4 PLC	±0.1			
ANGLES	±1°			

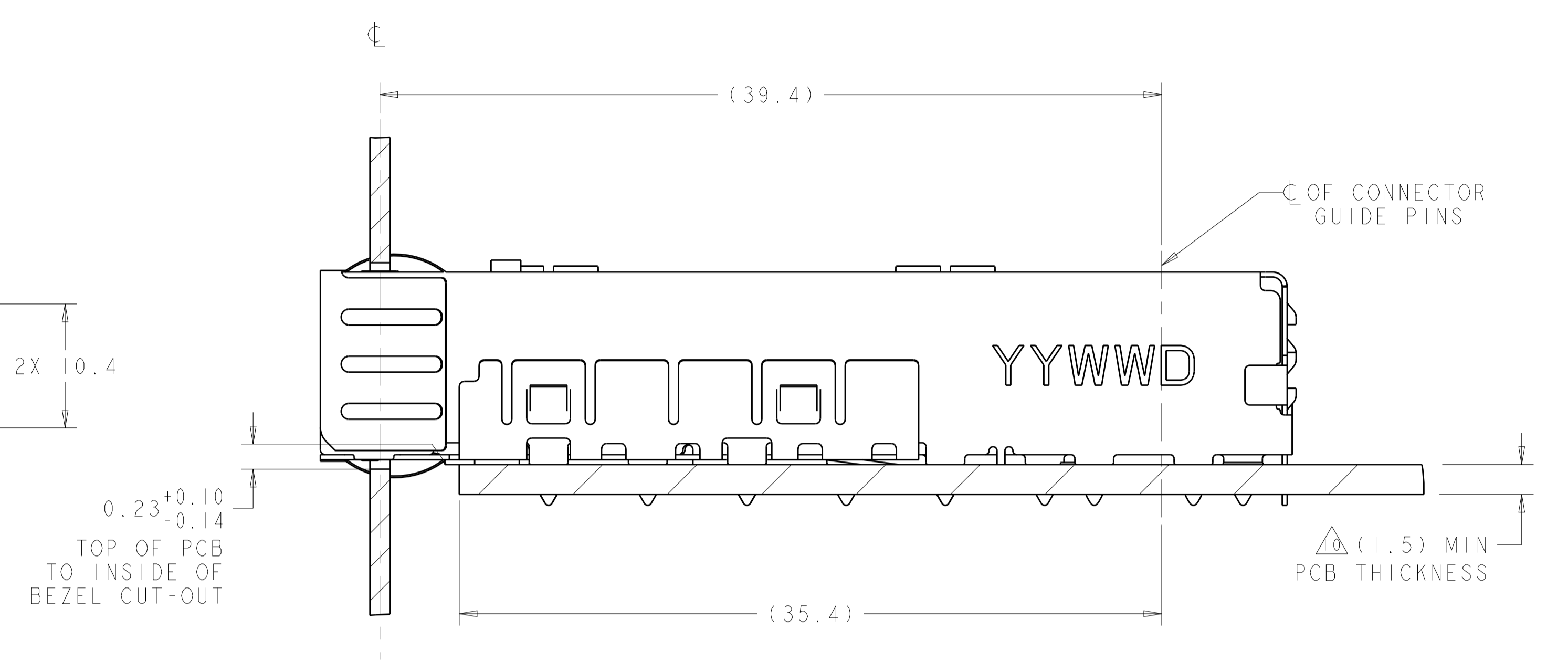
LOC		DIST		REVISIONS			
P	LTN	DESCRIPTION	DATE	DMN	APVD		
-	-	SEE SHEET 1	-	-	-		



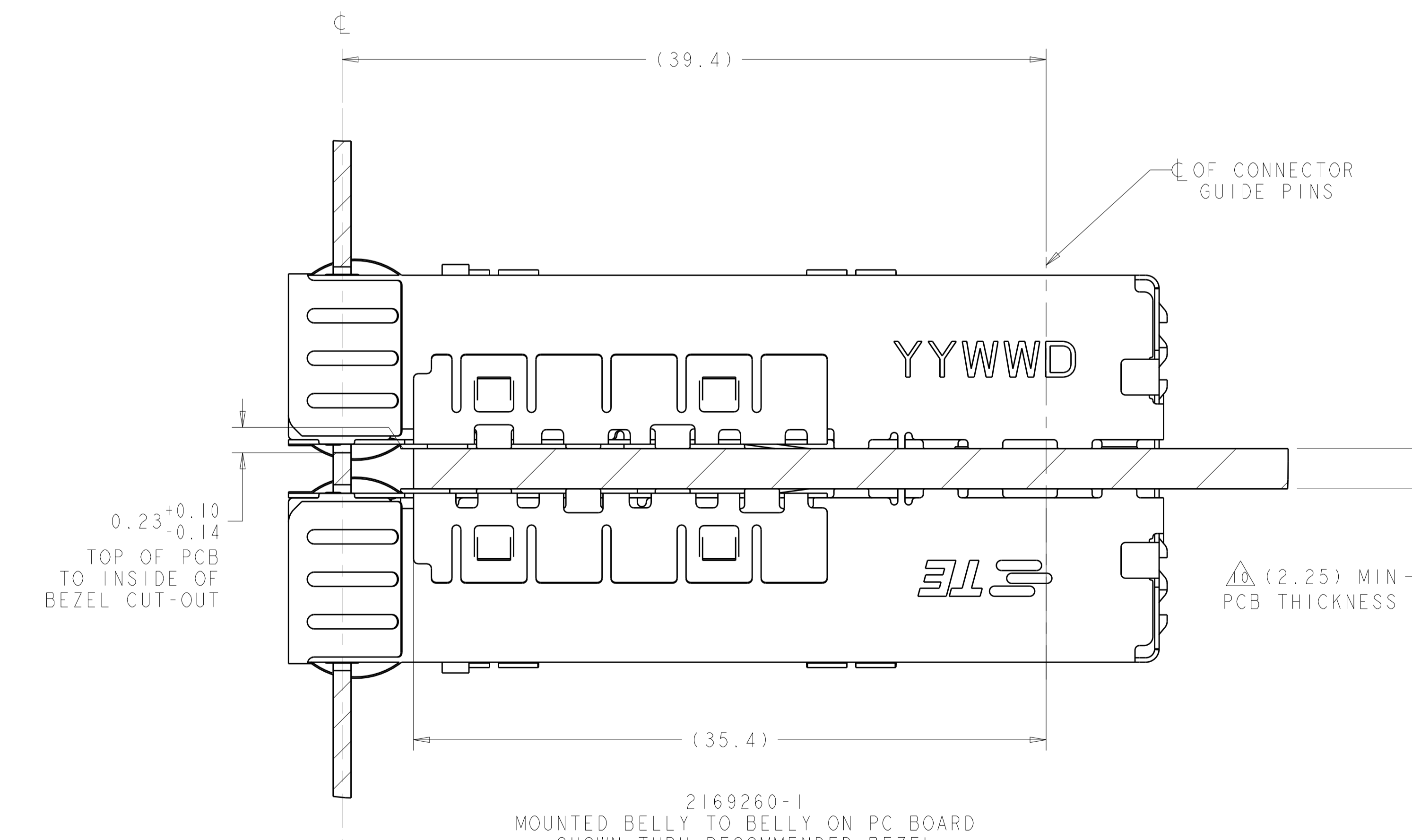
RECOMMENDED BEZEL CUT-OUT
 SINGLE SIDED APPLICATIONS
 SCALE 3:1



RECOMMENDED BEZEL CUT-OUT
 BELLY TO BELLY APPLICATIONS



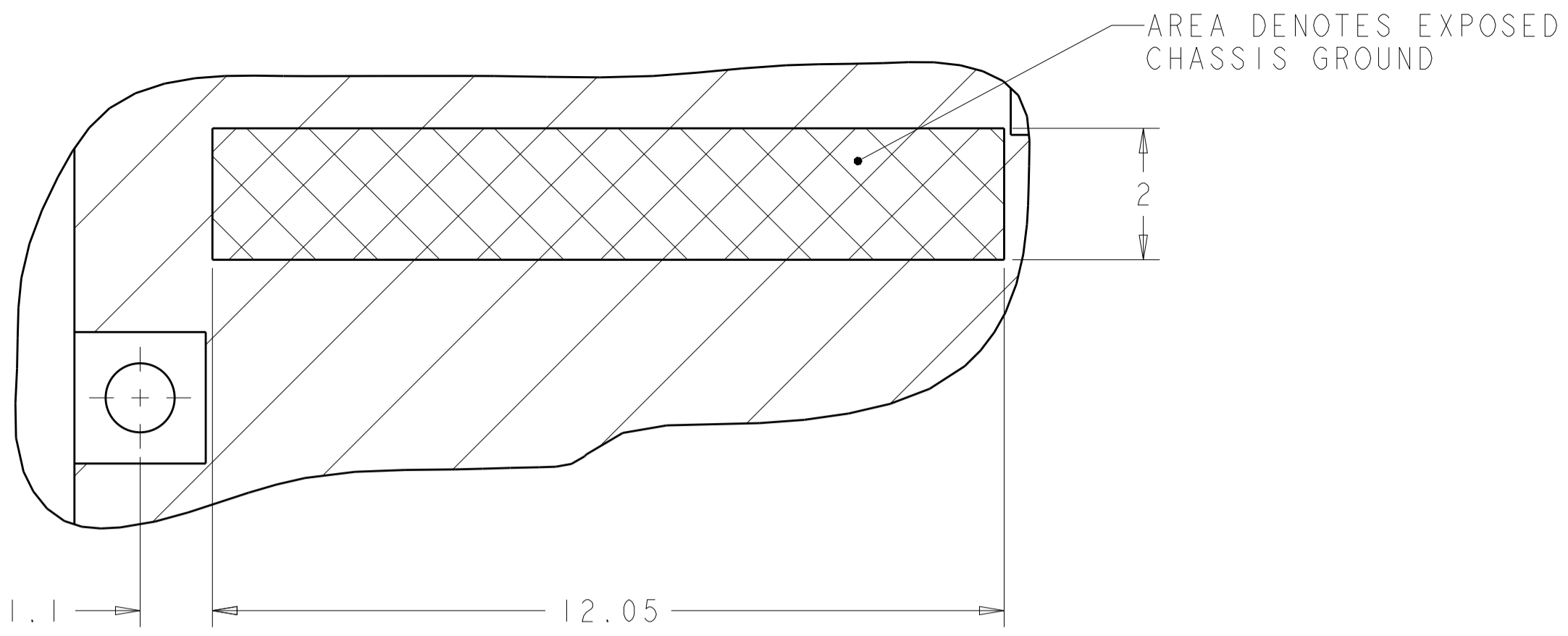
2169260-1
 MOUNTED ON PC BOARD
 SHOWN THRU RECOMMENDED BEZEL



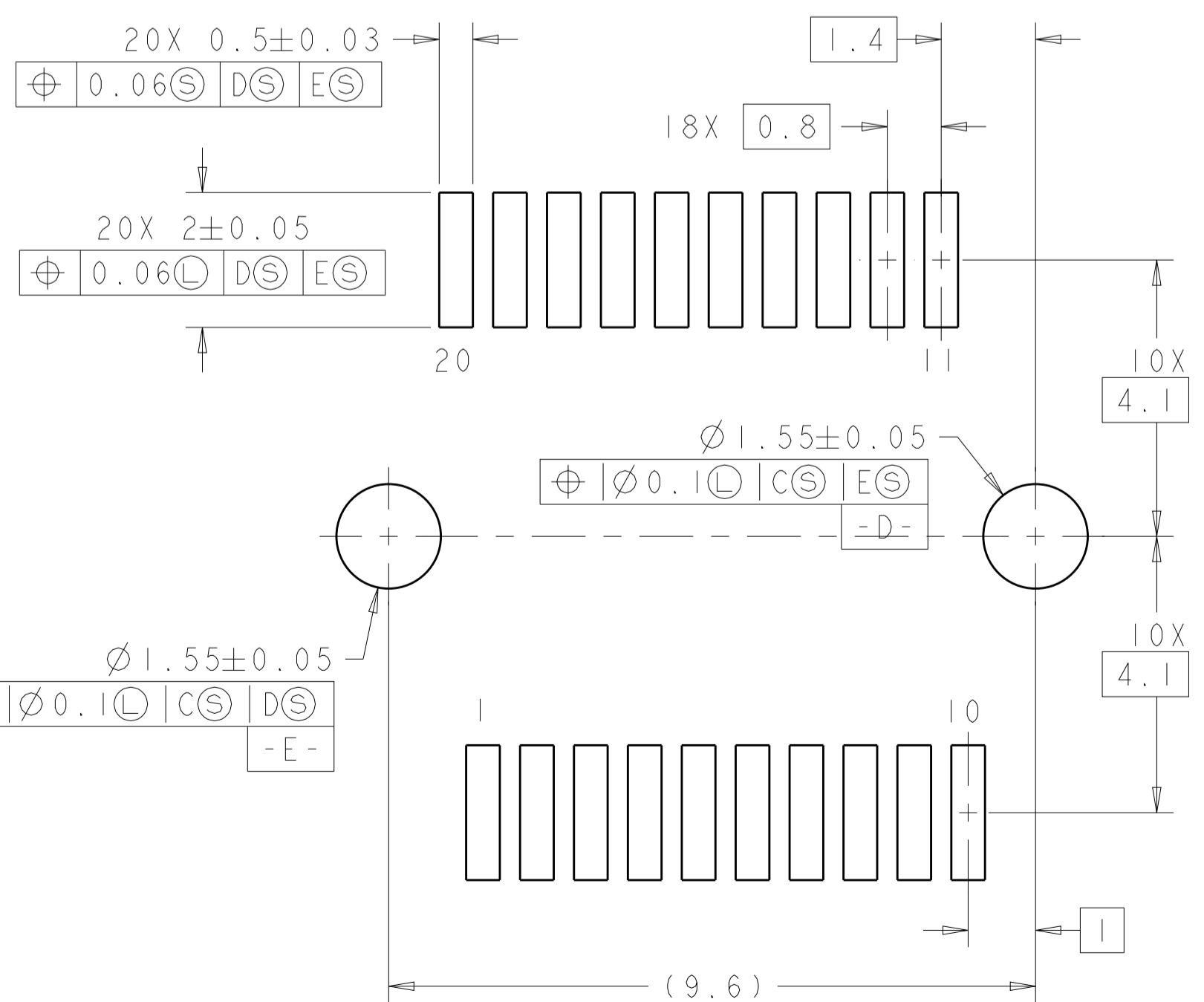
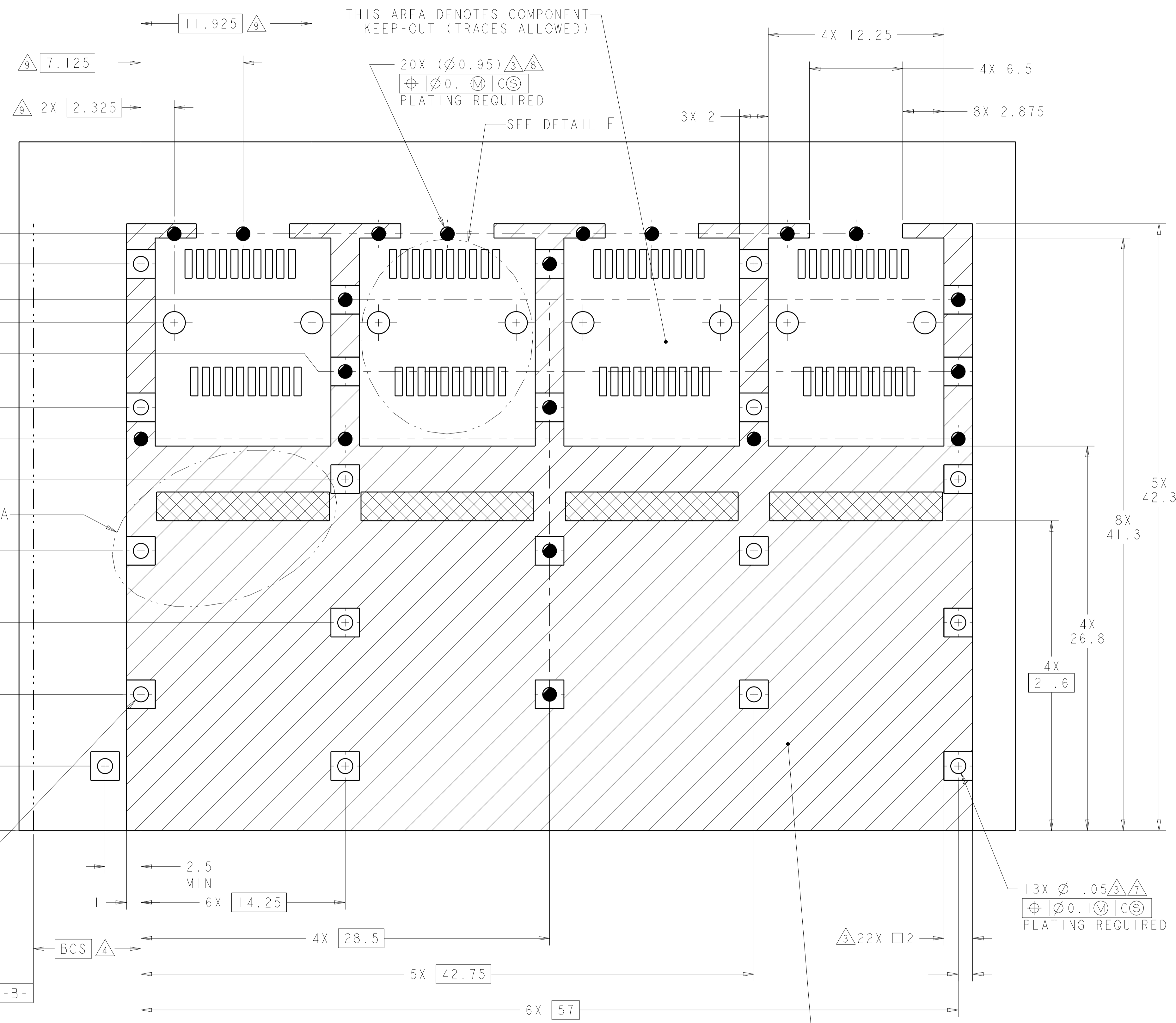
2169260-1
 MOUNTED BELLY TO BELLY ON PC BOARD
 SHOWN THRU RECOMMENDED BEZEL

THIS DRAWING IS A CONTROLLED DOCUMENT.		DMN B. MATTHEWS	10DEC2010		TE Connectivity
DIMENSIONS: mm		CHK M. SCHMITT	10DEC2010		NAME
TOLERANCES UNLESS OTHERWISE SPECIFIED:		APVD M. SCHMITT	10DEC2010	PRODUCT SPEC	108-2364
0 PLC ±0.1		APPLICATION SPEC		114-13120	SIZE
1 PLC ±0.1		WEIGHT		114-13120	CAGE CODE
2 PLC ±0.1		MATERIAL		114-13120	DRAWING NO
3 PLC ±0.1		FINISH		114-13120	RESTRICTED TO
4 PLC ±0.1		Customer Drawing		114-13120	A100779C=2169260
ANGLES ±1°		SCALE		5:1	SHEET 2 OF 4
REV A		REV			

LOC	DIST	REVISIONS			
GP	00	REV	DATE	BY	APPD
		1	SEE SHEET 1		



DETAIL A
 4X INDIVIDUALLY
 SCALE 12:1



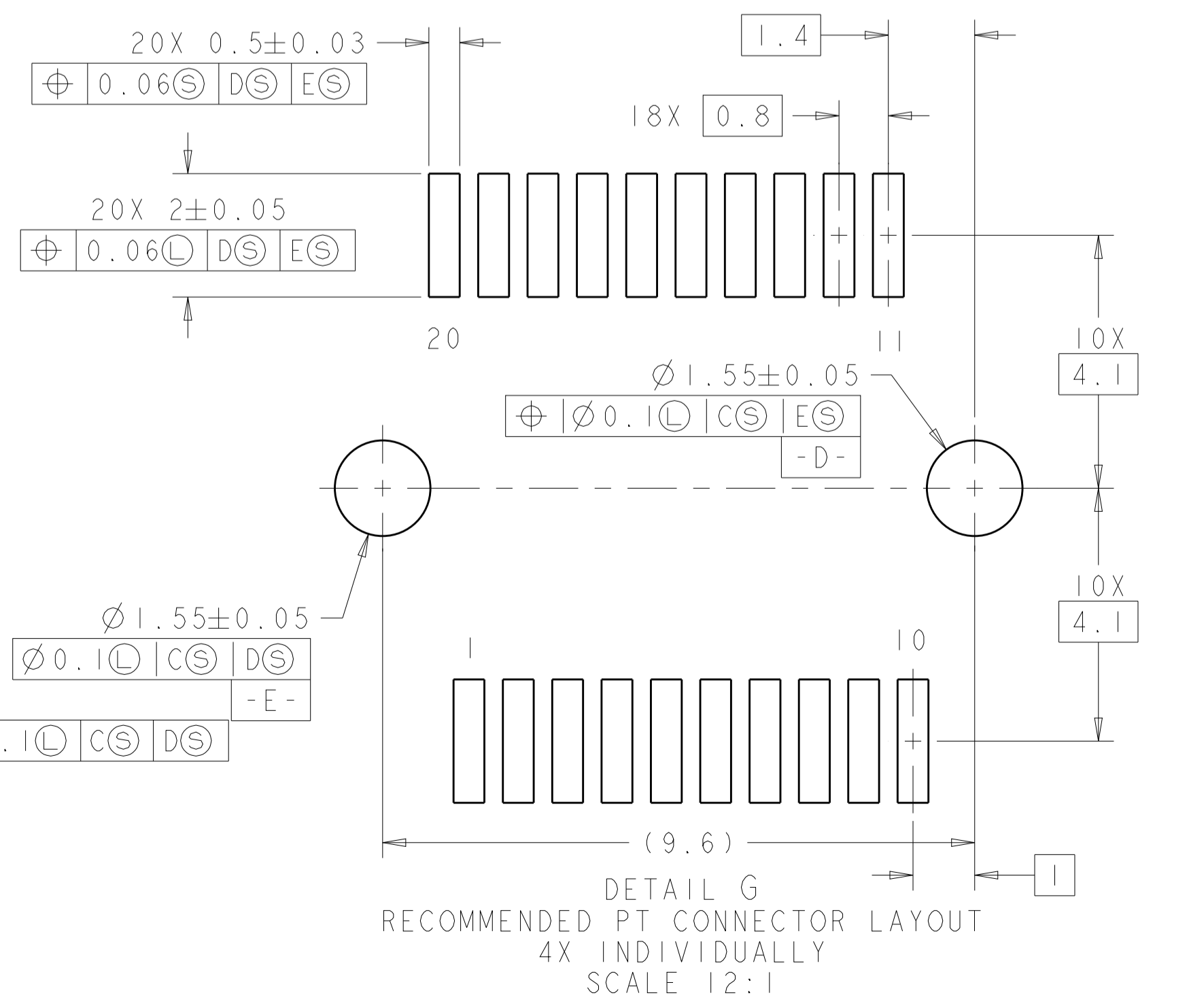
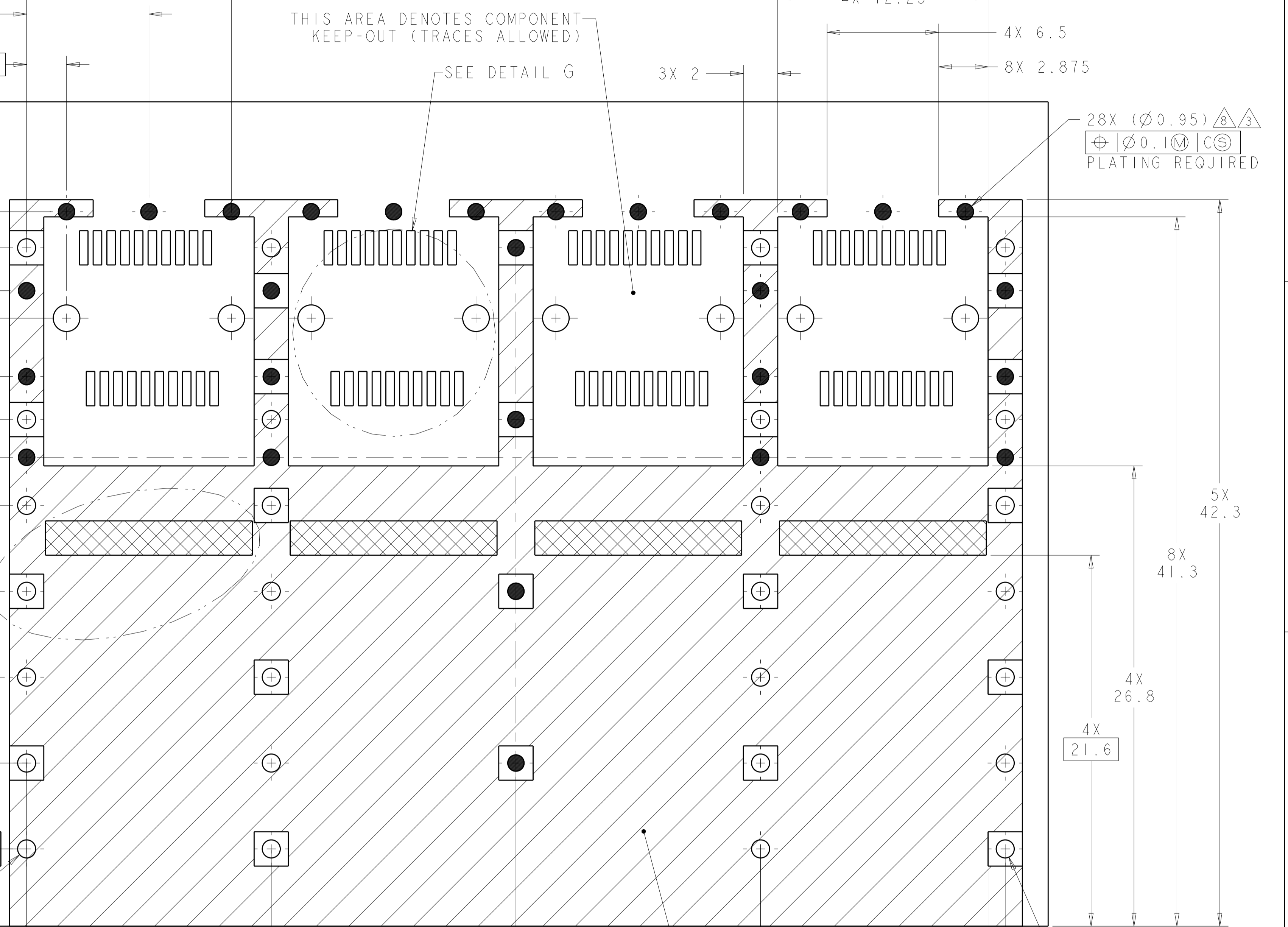
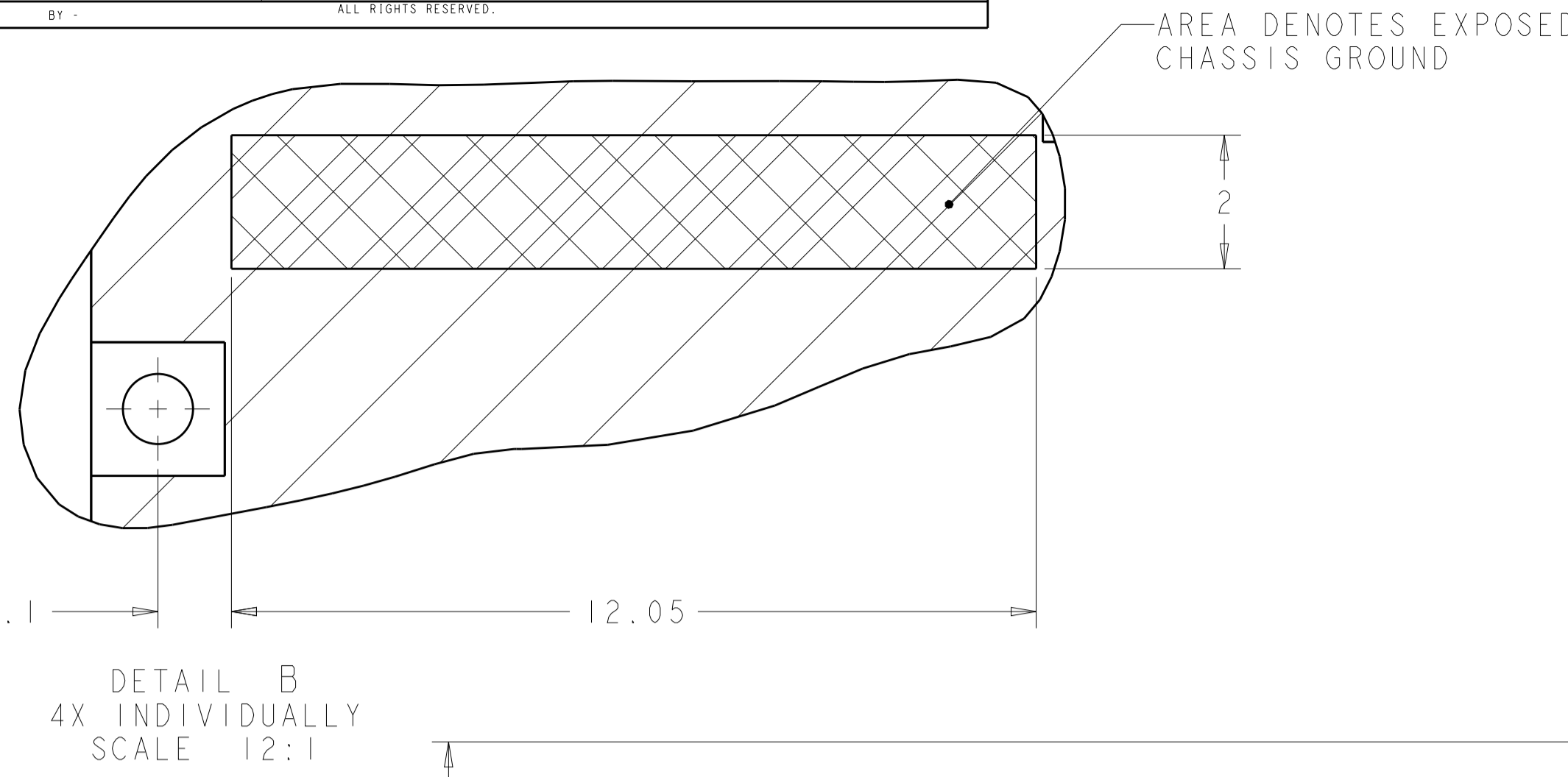
DETAIL F
 RECOMMENDED PT CONNECTOR LAYOUT
 4X INDIVIDUALLY
 SCALE 12:1

RECOMMENDED PCB CONFIGURATION
 WITH KEEP-OUT AREAS
 SINGLE SIDED APPLICATIONS

CROSS-HATCHED AREA DENOTES
 COMPONENT AND TRACE KEEP-OUT
 (EXCEPT CHASSIS GROUND)

THIS DRAWING IS A CONTROLLED DOCUMENT.		OWN: B. MATTHEWS	10DEC2010	STE TE Connectivity
DIMENSIONS: mm		CHK: M. SCHMITT	10DEC2010	
TOLERANCES UNLESS OTHERWISE SPECIFIED:		APVD: M. SCHMITT	10DEC2010	NAME: SFP+ ENHANCED 1X4 CAGE ASSEMBLY PRESS FIT, EXTERNAL EMI SPRINGS
0 PLC ±0.1		PRODUCT SPEC	108-2364	
1 PLC ±0.1		APPLICATION SPEC	114-13120	
2 PLC ±0.1		WEIGHT		
3 PLC ±0.1		FINISH	±1.0°	SIZE: CAGE CODE DRAWING NO: A100779
4 PLC ±0.1		Customer Drawing		RESTRICTED TO: -
ANGLES		SCALE: 5:1		SHEET: 3 OF 4
MATERIAL		REV: A		

LOC		DIST		REVISIONS					
GP	00	REV	DATE	DESCRIPTION	DATE	BY	CHKD	APVD	
-	-	1	-	SEE SHEET 1	-	-	-	-	



RECOMMENDED PCB CONFIGURATION WITH KEEP-OUT AREAS BELLY TO BELLY APPLICATIONS

CROSS-HATCHED AREA DENOTES COMPONENT AND TRACE KEEP-OUT (EXCEPT CHASSIS GROUND)

DIMENSIONS:		TOLERANCES UNLESS OTHERWISE SPECIFIED:		APPROVED		APPROVED		DATE	
mm	IN	mm	IN	DATE	BY	DATE	BY	DATE	BY
0 PLC	±0.1	0.004	±0.004						
1 PLC	±0.1	0.004	±0.004						
2 PLC	±0.1	0.004	±0.004						
3 PLC	±0.1	0.004	±0.004						
4 PLC	±0.1	0.004	±0.004						
5 PLC	±0.1	0.004	±0.004						
6 PLC	±0.1	0.004	±0.004						
7 PLC	±0.1	0.004	±0.004						
8 PLC	±0.1	0.004	±0.004						
9 PLC	±0.1	0.004	±0.004						
ANGLES	±0.1								

THIS DRAWING IS A CONTROLLED DOCUMENT.		DWN: B. MATTHEWS	TOD: DEC2010	STE TE Connectivity
		CHK: M. SCHMITT	TOD: DEC2010	
		APVD: M. SCHMITT	TOD: DEC2010	
		NAME: SFP+ ENHANCED 1X4 CAGE ASSEMBLY PRESS FIT, EXTERNAL EMI SPRINGS		
DIMENSIONS: mm		PRODUCT SPEC: 108-2364		SIZE: CAGE CODE DRAWING NO. A100779C=2169260
MATERIAL: FINISH		APPLICATION SPEC: 114-13120		RESTRICTED TO: SHEET 4 OF 4 REV A
		WEIGHT: Customer Drawing		SCALE: 5:1