

AP1301

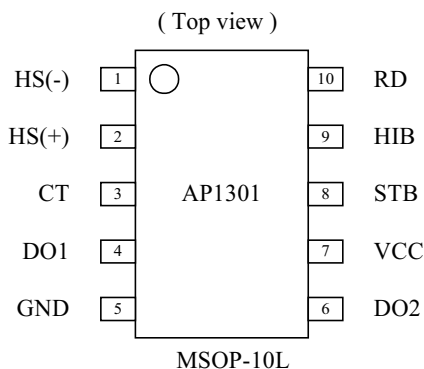
Single-Phase Full-Wave Fan Motor Driver

(Preliminary)

■ Features

- Operating voltage: 3.8V to 16.8V
- Built-in regenerative circuit allows use of reverse-connection protection diode
- Built-in Hall amplifier with hysteresis (supports core without auxiliary electrode)
- Built-in rotor-lock shutdown and automatic recovery
- Rotation detection (RD) output
- Hall bias pin and start/stop pin allow reduced current drain in standby mode
- Built-in thermal shutdown protection
- Package: MSOP-10L

■ Pin Assignments



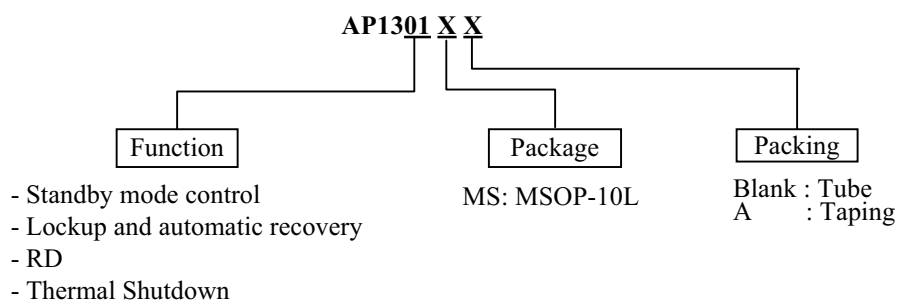
■ General Descriptions

The AP1301 is single-phase full-wave drive design and a compact package makes the IC optimal for small fans (especially CPU cooling fans). Low switching noise and effective motor drive are further advantages. To avoid coil burning, rotor-lock detection shut down the output drivers. And then automatic recovery circuit will try to restart until rotor-lock state is removed. HIB and STB pin allow reduced current drain in standby mode. Besides, the AP1301 features a RD output for warning and thermal shutdown for preventing abnormal temperature from damaging the IC.

■ Pin Descriptions

Pin Name	Function
HS(+)	Hall sensor input
HS(-)	Hall sensor input
CT	Timing capacitor
DO1	Bipolar Driver Output
DO2	Bipolar Driver Output
VCC	Power input
STB	Standby Mode
RD	Rotation Detection
HIB	Hall Current Bias
GND	Ground

■ Ordering Information



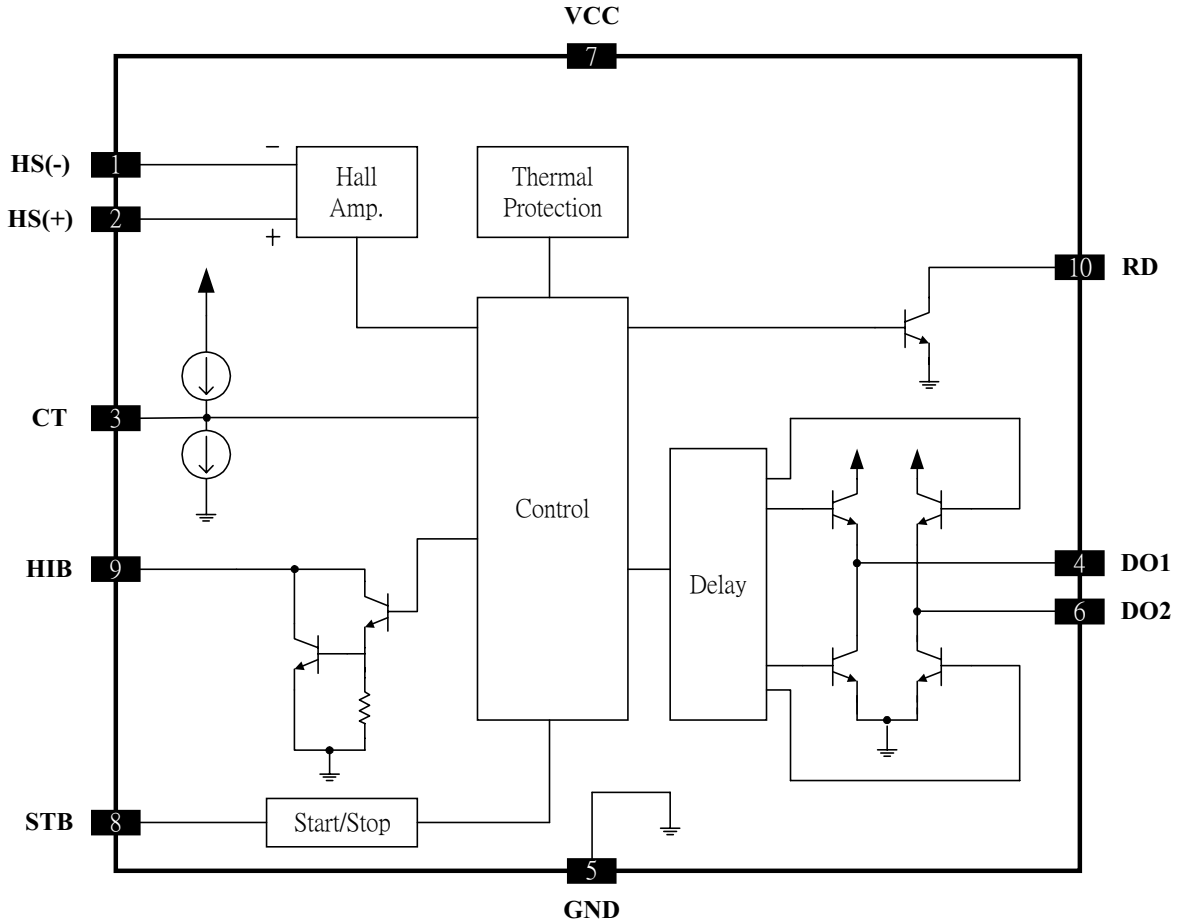
AP1301

Single-Phase Full-Wave Fan Motor Driver

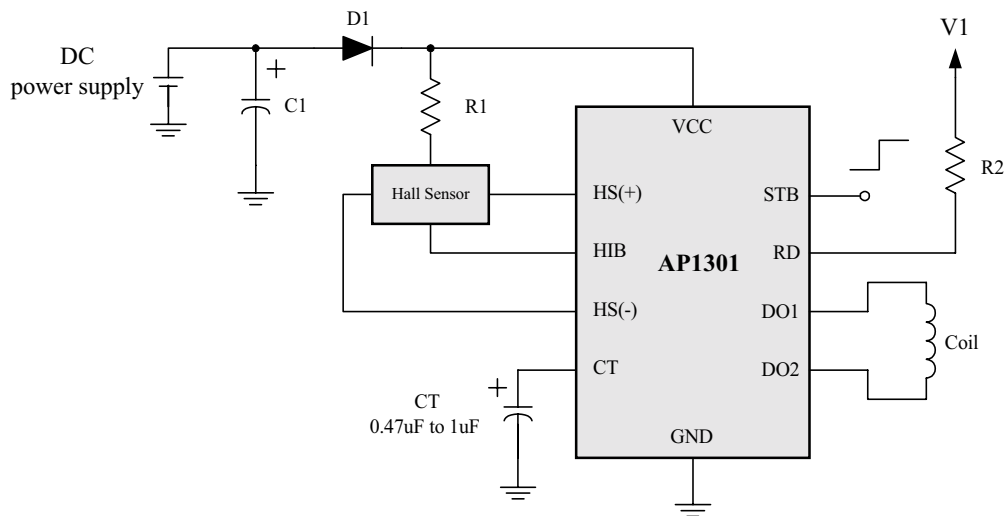
ATC

(Preliminary)

■ Block Diagram



■ Application Circuit



■ Absolute Maximum Ratings

Parameter	Symbol	Ratings	Unit
Maximum supply voltage	$V_{CC(max)}$	17	V
Maximum output current	$I_{out(max)}$	0.5	A
Maximum output withstand voltage	$V_{out(max)}$	15	V
RD maximum output withstand voltage	$V_{R(max)}$	15	V
	$V_{F(max)}$	17	V
RD maximum output current	$I_{R(max)}$	5	mA
	$I_{F(max)}$	5	mA
HIB maximum output current	$I_{B(max)}$	10	mA
Allowable power dissipation	$P_{D(max)}$	500	mW
Thermal resistance (Junction to Ambient)	ϑ_{JA}	150	°C/W
Operating temperature	T_{opr}	-30 to +85	°C
Storage temperature	T_{stg}	-55 to +150	°C

■ Allowable Operating Conditions (Ta=25°C)

Parameter	Symbol	Rating	unit
Supply voltage	V_{CC}	3.8 to 16.8	V
STB input high level voltage	V_{STH}	3 to 14	V
STB input low level voltage	V_{STL}	-0.3 to 0.4	V
Hall input common mode voltage range	V_{HCM}	0.2 to (VCC-1.5)	V

■ Electrical Characteristics (Ta=25°C, VCC=5V)

Parameter	Symbol	Conditions	Ratings			Unit
			Min.	Typ.	Max.	
Current drain	I _{CC}	Drive mode (CT=L)		6.5	9.1	mA
		Lock protection mode (CT=H)		2.2	3.1	mA
		Standby mode(STB=H)		110	150	uA
Lock detection Capacitor charge current	I _{CT1}		1.9	2.8	3.7	uA
Capacitor discharge current	I _{CT2}		0.32	0.46	0.60	uA
Capacitor change/discharge current ratio	R _{CT}	$R_{CT} = \frac{I_{CT1}}{I_{CT2}}$	5	6	7	
CT charge voltage	V _{CT1}		2.55	2.75	2.95	V
CT discharge voltage	V _{CT2}		1.6	1.8	2.0	V
Output low level voltage	V _{OL}	I _O =200mA		0.2	0.3	V
Output high level voltage	V _{OH}	I _O =200mA	3.9	4.1		V
Hall input sensitivity	V _{HN}	Zero Peak value (including offset and hysteresis)		7	15	mV
RD output pin low voltage	V _{RD}	I _{RD} =5mA		0.1	0.3	V
RD output pin leakage current	I _{RDL}	V _{RD} =15V			30	uA
HIB output low voltage	V _{HBL}	I _{HB} =5mA		1.0	1.3	V
STB pin input current	I _{ST}	V _{ST} =5V		75	100	uA

■ Truth Table

Mode	HS(+)	HS(-)	CT	DO1	DO2	RD	STB	HIB
Standby	-	-	-	Off	Off	Off	H	H
Rotating	H	L	L	H	L	L	L	L
	L	H		L	H	H		
Lock	-	-	H	Off	Off	-		L

■ Function Descriptions

(1). HS(+), HS(-) pins

Hall input signal pins

The Hall signal is amplified into a square wave by the Hall amplifier with hysteresis characteristics of ± 3.5 mV (typ.). The Hall input signal amplitude should be 70 mV or more.

(2). VCC pin

Power supply pin for control block and motor drive. Accepts a wide operation voltage range from 3.8 to 16.8V, for 5V/12V dual power supply support.

(3) DO1, DO2 pins

Single-coil output pins.

Bipolar driver output with upper side inverted and lower side single output. Built-in regenerative circuit regenerates kickback current between lower side NPN outputs when a diode is used for protection against reverse connection.

(4) CT pin

This pin serves for connecting a capacitor between CT and GND.

The capacitor determines the characteristics of the built-in lockup protection circuit for preventing coil burnout in the case of motor restraint. Once normal motor load is restored, the automatic recovery circuit resets itself. Changing the capacitance alters the lockup detection time. When a 0.47 μ F capacitor is connected between CT and GND

Lockup detection time : approx. 0.5s

Lockup protection time/automatic recovery time : approx. 0.16s (output ON)
approx. 1s (output OFF)

When not using lockup protection function, this pin should be connected to ground.

(5) RD pin

Open-collector output pin for rotation detection.

This pin is pulled low during rotation and pulled high when rotor-lock is detected.

(6) HIB pin

Hall bias switching pin. At STB pin High input, Hall bias is switched to reduce current drain in standby mode. If not used, this pin should be open.

(7) STB pin

When input to this pin is high, motor driver is stopped (DO is high impedance). If not used, this pin should be open.

(8) Thermal protection circuit

When internal temperature T_j of IC reaches 180°C, output current limiter is activated to protect against damage.

AP1301

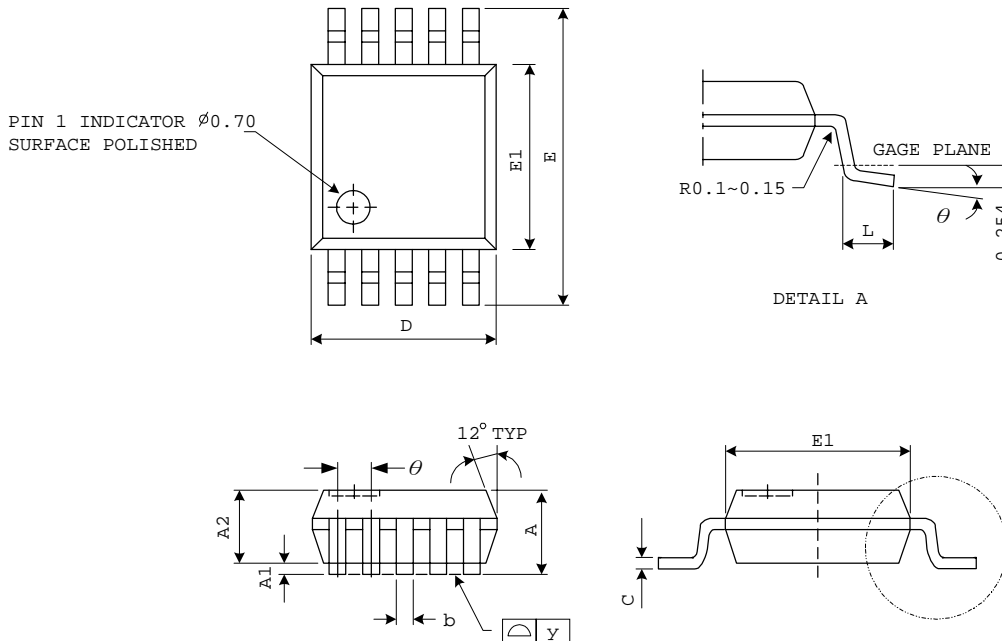
Single-Phase Full-Wave Fan Motor Driver



(Preliminary)

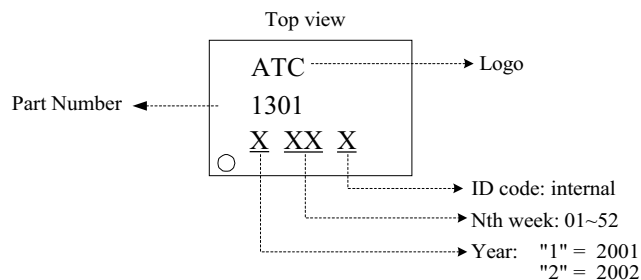
■ Package Diagrams

MSOP-10L Package



SYMBOLS	DIMENSIONS IN MILLIMETERS			DIMENSIONS IN INCHES		
	MIN	NOM	MAX	MIN	NOM	MAX
A	0.81	1.02	1.22	0.032	0.040	0.048
A1	0.05	---	0.15	0.002	---	0.006
A2	0.76	0.86	0.97	0.030	0.034	0.038
b	0.15	0.20	0.25	0.0059	0.0078	0.0098
C	0.13	0.15	0.23	0.005	0.006	0.009
D	2.90	3.00	3.10	0.114	0.118	0.122
E	4.80	4.90	5.00	0.189	0.193	0.197
E1	2.90	3.00	3.10	0.114	0.118	0.122
e	---	0.50	---	---	0.0196	---
L	0.40	0.53	0.66	0.016	0.021	0.026
y	---	---	0.076	---	---	0.003
θ	0°	3°	6°	0°	3°	6°

■ Marking Information



(MSOP-10L)